

624 P

Wheel Loader



JOHN DEERE





***ELEVATE YOUR
EXPECTATIONS***

ABOVE AND BEYOND

MEET THE P-TIER WHEEL LOADERS

When your material-handling application needs a heavy-duty lift, add a P-Tier Wheel Loader to your lineup. Combining convenient front-end features with near-parallel lift, spacious operator stations including customizable ergonomic electrohydraulic (EH) controls, and streamlined electrical and hydraulic routing, these versatile and productive mid-size models are designed to help you take your operation to the next level.



**INTUITIVE
CONTROLS**

Take control

Operators can easily control up to six functions without letting go of the ergonomically designed joystick. Two industry-exclusive multifunction buttons can each be programmed to handle any of up to 10 functions selected through the monitor, including bucket vibrate and EH Precision mode.

The bucket list

A wide selection of enhanced production buckets with integrated spill guards, curved side cutters, and impressive rollback delivers elevated bucket-fill performance and material retention compared to earlier offerings.

Remote diagnostics and support

To maximize uptime and lower costs, JDLink™ connectivity provides machine location, utilization data, and alerts to help you maximize productivity and efficiency. JDLink also enables John Deere Connected Support™. Dealers use Expert Alerts based on data from thousands of connected machines to proactively address conditions that may otherwise likely lead to downtime. Your dealer can also monitor machine health and leverage remote diagnostics and programming capability to further diagnose problems and even update machine software without a time-consuming trip to the jobsite.*

*Availability varies by region. Options not available in every country.

At the forefront

Featuring bucket and linkage designs that improve load leveling, material retention, and visibility, these loaders yield more productivity and performance than previous models.

It's easy to see

Large seven-inch in-cab display with easy-on-the-eyes clarity enables intuitive push-button access to key info. Standard rearview camera displays the activity behind the machine on the color LCD screen.

On your side

All daily service points including fuel refill are conveniently grouped at ground level on the left side of the machine for easy access. Routing of electrical wire harnesses and hydraulic hoses has been streamlined.



624 P

WHEEL LOADER



**VERSATILE BUCKET
+ LINKAGE DESIGNS**



OVERACHIEVERS

ASPIRE TO GO HIGHER.

With handy front-end features and plenty of productivity-boosting enhancements over previous models, our 624 P-Tier Wheel Loader redefines expectations about the heights a utility loader can reach.



Have a seat

Spacious and comfortable cab features extra legroom, an improved HVAC system, additional storage, and a more adjustable seat than earlier models.



Smooth operator

Seat-mounted right-hand joystick features two programmable multifunction buttons and electrohydraulic (EH) controls that are more intuitive to operate compared to our K-Series controls.



Get carried away

Tool Carrier configuration enables a clear view of the coupler and forks, making it easier to quickly move pipes, logs, and pallets.



Pretty big plus

High-Lift Plus configuration provides an additional 24 inches of hinge-pin height over standard lift height and 12 inches over the High-Lift model. All three lift heights feature near-parallel lift.



Clear advantage

Improved visibility to the work tool helps reduce spillage as well as cycle and tool-changeover times. It also helps minimize machine damage when working on crowded jobsites or up against walls.



Step it up

Quad-Cool™ places the radiator, air-conditioner condenser, intercooler, and hydraulic, transmission, and axle coolers in a unique boxed configuration that's isolated from engine heat, boosting efficiency and durability.



While general information, pictures, and descriptions are provided, some illustrations and text may include product options and accessories NOT AVAILABLE in all regions, and in some countries products and accessories may require modifications or additions to ensure compliance with the local regulations of those countries.

Engine		624 P-TIER Z-BAR / HIGH-LIFT / HIGH-LIFT PLUS / TOOL CARRIER			
Manufacturer and Model	John Deere PowerTech™ PVS 6068	Gross Peak Torque (ISO 9249)	923 Nm (681 ft.-lb.) at 1,500 rpm		
Non-Road Emission Standard	EPA Final Tier 4/EU Stage V	Net Torque Rise	58% standard		
Cylinders	6	Fuel System (electronically controlled)	High-pressure common rail		
Valves Per Cylinder	4	Lubrication	Full-flow spin-on filter and integral cooler		
Displacement	6.8 L (414 cu. in.)	Aspiration	Turbocharged, charge air cooled		
Net Peak Power (ISO 9249)	143 kW (192 hp) at 1,600 rpm	Air Cleaner	Under-hood, dual-element dry type, restriction indicator in cab monitor for service		
Gross Peak Power (ISO 9249)	152 kW (203 hp) at 1,600 rpm				
Net Peak Torque (ISO 9249)	874 Nm (644 lb.-ft.) at 1,300 rpm				
Cooling					
Fan Drive	Hydraulically driven, proportionally controlled, fan aft of coolers				
Electrical					
Electrical System	24 volt with 130-amp alternator				
Batteries (2 – 12 volt)	950 CCA (each)				
Transmission System					
Type	Countershaft-type PowerShift™				
Torque Converter	Single stage, single phase				
Shift Control	Electronically modulated, adaptive, load and speed dependent				
Operator Interface	Steering-column or joystick-mounted F-N-R and gear-select lever; kick-down button on hydraulic lever				
Shift Modes	Manual/auto (1st–D or 2nd–D); Quick-Shift button with 2 selectable modes: kick-down or kick-up/down; and 4 clutch cutoff settings				
	<i>Standard 5-Speed With Lockup Torque Converter</i>		<i>Optional 5-Speed Without Lockup Torque Converter</i>		
Maximum Travel Speeds (with 20.5 R 25 tires)	<i>Forward</i>	<i>Reverse</i>	<i>Forward</i>	<i>Reverse</i>	
Range 1	7.0 km/h (4.3 mph)	6.6 km/h (4.1 mph)	6.3 km/h (3.9 mph)	6.7 km/h (4.1 mph)	
Range 2	12.1 km/h (7.5 mph)	12.8 km/h (7.9 mph)	11.4 km/h (7.0 mph)	12.0 km/h (7.4 mph)	
Range 3	18.7 km/h (11.6 mph)	30.7 km/h (19.0 mph)	17.5 km/h (10.8 mph)	28.7 km/h (17.8 mph)	
Range 4	29.1 km/h (18.1 mph)	N/A	27.2 km/h (16.9 mph)	N/A	
Range 5	40.0 km/h (24.8 mph)	N/A	40.0 km/h (24.8 mph)	N/A	
Axles/Brakes					
Final Drives	Heavy-duty inboard-mounted planetary				
Differentials	Hydraulic locking front with conventional rear – standard; dual locking front and rear – optional				
Rear Axle Oscillation, Stop to Stop (with 20.5 R 25 tires)	24 deg. (12 deg. each direction)				
Brakes (conform to ISO 3450)					
Service	Hydraulically actuated, spring-retracted, self-adjusting inboard sun-shaft mounted, oil cooled, single disc				
Parking	Automatic spring applied, hydraulically released, driveline mounted, oil-cooled, multi disc				
Tires/Wheels (see page 10 for complete tire adjustments)					
	<i>Tread Width</i>	<i>Width Over Tires</i>			
Michelin 20.5 R 25, 1 Star L-3 XHA2	2053 mm (80.8 in.)	2657 mm (104.6 in.)			
Serviceability					
Refill Capacities		Refill Capacities (continued)			
Fuel Tank (with lockable cap)	299 L (79 gal.)	Axle Oil (each)			
Cooling System	36.5 L (38.6 qt.)	Front		22 L (23 qt.)	
Diesel Exhaust Fluid (DEF)	15.6 L (16.5 qt.)	Rear		17 L (18 qt.)	
Engine Oil With Vertical Spin-On Filter	19.5 L (20.6 qt.)	Hydraulic Reservoir and Filter		102.8 L (27.2 gal.)	
Transmission Reservoir With Vertical Filter	27 L (28.5 qt.)	Park Brake Oil (wet disc)		0.3 L (10 oz.)	
Hydraulic System/Steering					
Pump (loader and steering)	Variable-displacement, axial-piston pump; closed-center, pressure-compensating system				
Maximum Rated Flow at 6895 kPa (1,000 psi) and 2,200 rpm	261 L/m (69 gpm)				
System Relief Pressure (loader and steering)	24 821 kPa (3,675 psi)				
Loader Controls	2-function valve, joystick control or fingertip controls, hydraulic-function enable/disable, optional 3rd- and 4th-function valve with auxiliary lever				
Steering (conforms to ISO 5010)	Steering-column-mounted, twist-grip shift lever; Quick-Shift button on hydraulic lever				
Type	Power, fully hydraulic				
Articulation Angle	80-deg. arc (40 deg. each direction)				
Turning Radius (measured to centerline of outside tire)	5.27 m (17 ft. 4 in.)				

624 P-TIER WHEEL LOADER SPECIFICATIONS

624

P

While general information, pictures, and descriptions are provided, some illustrations and text may include product options and accessories NOT AVAILABLE in all regions, and in some countries products and accessories may require modifications or additions to ensure compliance with the local regulations of those countries.

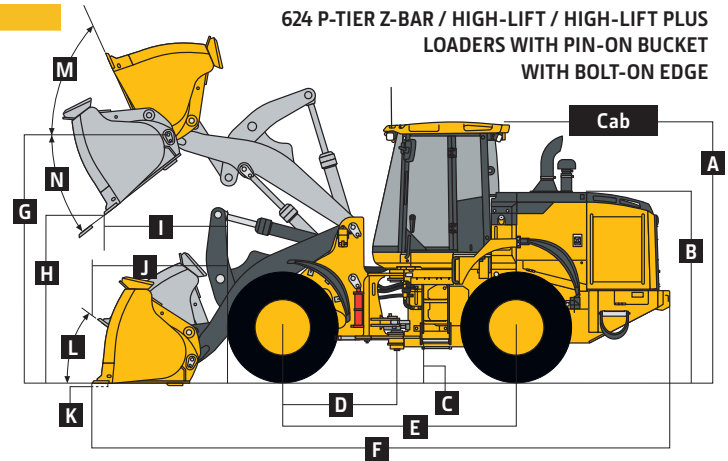
Hydraulic System/Steering (continued) 624 P-TIER Z-BAR / HIGH-LIFT / HIGH-LIFT PLUS / TOOL CARRIER

Hydraulic Cycle Times	Z-Bar / High-Lift / High-Lift Plus	Tool Carrier
Raise	5.5 sec.	5.8 sec.
Dump	2.0 sec.	2.5 sec.
Lower (power down)	4.0 sec.	4.0 sec.
Total	11.5 sec.	12.3 sec.

Bucket Capacity Range

Bucket Type	
Pin-On	2.7–2.9 m ³ (3.5–3.75 cu. yd.)
Coupler	1.9–4.0 m ³ (2.5–5.25 cu. yd.)

Dimensions and Specifications With Pin-On Bucket With Bolt-On Edge



624 P-TIER Z-BAR / HIGH-LIFT / HIGH-LIFT PLUS LOADERS WITH PIN-ON BUCKET WITH BOLT-ON EDGE

	Z-Bar	Z-Bar	High-Lift	High-Lift	High-Lift Plus	High-Lift Plus
	2.7-m ³ (3.5 cu. yd.)	2.9-m ³ (3.75 cu. yd.)	2.7-m ³ (3.5 cu. yd.)	2.9-m ³ (3.75 cu. yd.)	2.7-m ³ (3.5 cu. yd.)	2.9-m ³ (3.75 cu. yd.)
	general purpose	general purpose	general purpose	general purpose	general purpose	general purpose
Dimensions With Bucket With Bolt-On Edge (Illustration above right)						
A Height to Top of Cab	3.40 m (11 ft. 2 in.)	3.40 m (11 ft. 2 in.)	3.40 m (11 ft. 2 in.)	3.40 m (11 ft. 2 in.)	3.40 m (11 ft. 2 in.)	3.40 m (11 ft. 2 in.)
B Hood Height	2.46 m (8 ft. 1 in.)	2.46 m (8 ft. 1 in.)	2.46 m (8 ft. 1 in.)	2.46 m (8 ft. 1 in.)	2.46 m (8 ft. 1 in.)	2.46 m (8 ft. 1 in.)
C Ground Clearance	384 mm (15.1 in.)	384 mm (15.1 in.)	384 mm (15.1 in.)	384 mm (15.1 in.)	384 mm (15.1 in.)	384 mm (15.1 in.)
D Length From Centerline to Front Axle	1.52 m (5 ft. 0 in.)	1.52 m (5 ft. 0 in.)	1.52 m (5 ft. 0 in.)	1.52 m (5 ft. 0 in.)	1.52 m (5 ft. 0 in.)	1.52 m (5 ft. 0 in.)
E Wheelbase	3.09 m (10 ft. 1 in.)	3.09 m (10 ft. 1 in.)	3.09 m (10 ft. 1 in.)	3.09 m (10 ft. 1 in.)	3.09 m (10 ft. 1 in.)	3.09 m (10 ft. 1 in.)
F Overall Length, Bucket on Ground	7.76 m (25 ft. 6 in.)	7.83 m (25 ft. 8 in.)	8.22 m (27 ft. 0 in.)	8.22 m (27 ft. 0 in.)	8.52 m (27 ft. 11 in.)	8.58 m (28 ft. 2 in.)
G Height to Hinge Pin, Fully Raised	3.96 m (13 ft. 0 in.)	3.96 m (13 ft. 0 in.)	4.32 m (14 ft. 2 in.)	4.32 m (14 ft. 2 in.)	4.57 m (15 ft. 0 in.)	4.57 m (15 ft. 0 in.)
H Dump Clearance, 45 deg., Full Height	2.84 m (9 ft. 4 in.)	2.80 m (9 ft. 2 in.)	3.20 m (10 ft. 6 in.)	3.16 m (10 ft. 4 in.)	3.46 m (11 ft. 4 in.)	3.41 m (11 ft. 2 in.)
I Reach, 45-deg. Dump, Full Height	1.07 m (3 ft. 6 in.)	1.12 m (3 ft. 8 in.)	1.21 m (4 ft. 0 in.)	1.25 m (4 ft. 1 in.)	1.22 m (4 ft. 0 in.)	1.27 m (4 ft. 2 in.)
J Reach, 45-deg. Dump, 2.13-m (7 ft. 0 in.) Clearance	1.59 m (5 ft. 2 in.)	1.61 m (5 ft. 3 in.)	1.98 m (6 ft. 6 in.)	2.00 m (6 ft. 7 in.)	2.20 m (7 ft. 2 in.)	2.22 m (7 ft. 3 in.)
K Maximum Digging Depth	0.10 m (4 in.)	0.11 m (4 in.)	0.20 m (8 in.)	0.21 m (8 in.)	0.20 m (8 in.)	0.20 m (8 in.)
L Maximum Rollback at Ground Level	44 deg.	44 deg.	48 deg.	48 deg.	49 deg.	49 deg.
M Maximum Rollback, Boom Fully Raised	60 deg.	60 deg.	60 deg.	60 deg.	60 deg.	60 deg.
N Maximum Bucket Dump Angle, Fully Raised	48 deg.	48 deg.	46 deg.	46 deg.	45 deg.	45 deg.
Loader Clearance Circle, Bucket Carry Position	12.02 m (39 ft. 5 in.)	12.04 m (39 ft. 6 in.)	12.32 m (40 ft. 5 in.)	12.5 m (41 ft. 0 in.)	12.66 m (41 ft. 6 in.)	12.78 m (41 ft. 11 in.)
Specifications With Bucket With Bolt-On Edge						
Capacity, Heaped	2.7 m ³ (3.5 cu. yd.)	2.9 m ³ (3.75 cu. yd.)	2.7 m ³ (3.5 cu. yd.)	2.9 m ³ (3.75 cu. yd.)	2.7 m ³ (3.5 cu. yd.)	2.9 m ³ (3.75 cu. yd.)
Capacity, Struck	2.2 m ³ (2.9 cu. yd.)	2.4 m ³ (3.1 cu. yd.)	2.2 m ³ (2.9 cu. yd.)	2.4 m ³ (3.1 cu. yd.)	2.2 m ³ (2.9 cu. yd.)	2.4 m ³ (3.1 cu. yd.)
Bucket Weight With Bolt-On Cutting Edge	1196 kg (2,637 lb.)	1239 kg (2,732 lb.)	1196 kg (2,637 lb.)	1239 kg (2,732 lb.)	1196 kg (2,637 lb.)	1239 kg (2,732 lb.)
Bucket Width	2.69 m (8 ft. 10 in.)	2.69 m (8 ft. 10 in.)	2.69 m (8 ft. 10 in.)	2.69 m (8 ft. 10 in.)	2.69 m (8 ft. 10 in.)	2.69 m (8 ft. 10 in.)
Breakout Force	13 605 kg (29,994 lb.)	12 929 kg (28,503 lb.)	13 443 kg (29,638 lb.)	12 774 kg (28,163 lb.)	13 510 kg (29,785 lb.)	12 839 kg (28,304 lb.)
Tipping Load, Straight, No Tire Deflection	13 205 kg (29,113 lb.)	13 116 kg (28,915 lb.)	11 132 kg (24,541 lb.)	11 060 kg (24,383 lb.)	10 297 kg (22,701 lb.)	10 231 kg (22,555 lb.)
Tipping Load, Straight, With Tire Deflection	12 435 kg (27,414 lb.)	12 345 kg (27,216 lb.)	10 563 kg (23,287 lb.)	10 488 kg (23,122 lb.)	9792 kg (21,588 lb.)	9723 kg (21,436 lb.)
Tipping Load, 40-deg. Full Turn, No Tire Deflection	11 439 kg (25,218 lb.)	11 359 kg (25,042 lb.)	9595 kg (21,153 lb.)	9530 kg (21,010 lb.)	8837 kg (19,483 lb.)	8778 kg (19,351 lb.)
Tipping Load, 40-deg. Full Turn, With Tire Deflection	10 425 kg (22,983 lb.)	10 338 kg (22,791 lb.)	8820 kg (19,445 lb.)	8754 kg (19,299 lb.)	8145 kg (17,957 lb.)	8091 kg (17,838 lb.)
Rated Operating Load, 50% Full-Turn Tipping Load, No Tire Deflection (conforms to ISO 14397-1)*	5719 kg (12,609 lb.)	5680 kg (12,521 lb.)	4797 kg (10,576 lb.)	4765 kg (10,505 lb.)	4419 kg (9,741 lb.)	4389 kg (9,676 lb.)
Rated Operating Load, 50% Full-Turn Tipping Load, With Tire Deflection (conforms to ISO 14397-1)*	5213 kg (11,492 lb.)	5169 kg (11,396 lb.)	4410 kg (9,722 lb.)	4377 kg (9,650 lb.)	4073 kg (8,978 lb.)	4046 kg (8,919 lb.)
Operating Weight	15 747 kg (34,715 lb.)	15 790 kg (34,810 lb.)	15 953 kg (35,171 lb.)	15 996 kg (35,266 lb.)	16 195 kg (35,703 lb.)	16 238 kg (35,798 lb.)
Loader operating information is based on machine with identified linkage and standard equipment, PowerTech PVS 6068 (EPA Final Tier 4/EU Stage V) engine, ROPS cab, rear cast bumper/counterweight, transmission side-frame guards, bottom guards, standard tires, full fuel tank, and 79-kg (175 lb.) operator. This information is affected by changes in tires, ballast, and different attachments, and assumes no tire deflection per the standard ISO 14397-1 section 5.						

*Rated operating capacity based on Deere attachments only.

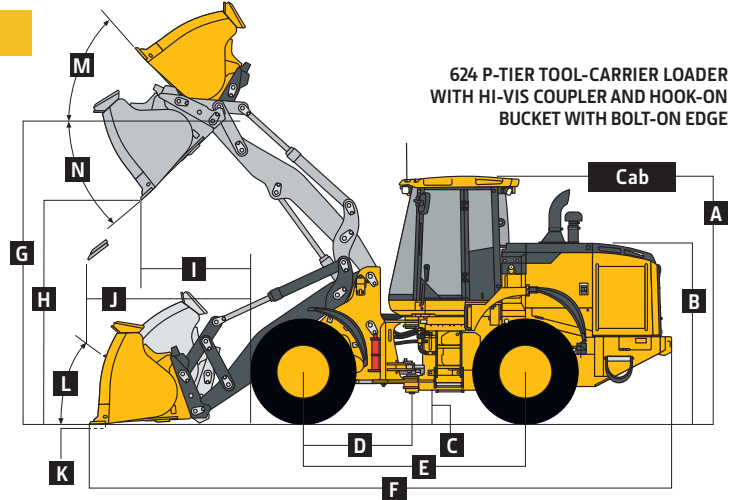
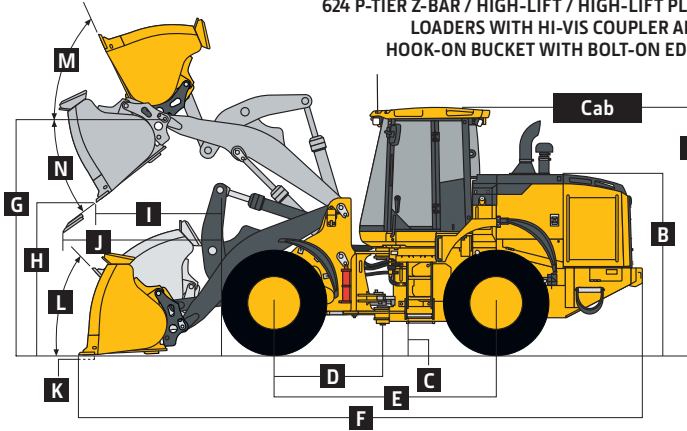
624 P-TIER

While general information, pictures, and descriptions are provided, some illustrations and text may include product options and accessories NOT AVAILABLE in all regions, and in some countries products and accessories may require modifications or additions to ensure compliance with the local regulations of those countries.

Dimensions and Specifications With Hi-Vis Coupler and Hook-On Bucket With Bolt-On Edge

624 P-TIER Z-BAR / HIGH-LIFT / HIGH-LIFT PLUS / TOOL CARRIER

624 P-TIER Z-BAR / HIGH-LIFT / HIGH-LIFT PLUS LOADERS WITH HI-VIS COUPLER AND HOOK-ON BUCKET WITH BOLT-ON EDGE



624 P-TIER TOOL-CARRIER LOADER WITH HI-VIS COUPLER AND HOOK-ON BUCKET WITH BOLT-ON EDGE

	Z-Bar	Z-Bar	High-Lift	High-Lift	High-Lift Plus	High-Lift Plus	Tool Carrier	Tool Carrier
Dimensions With Bucket With Bolt-On Edge (illustrations above)	2.7-m ³ (3.5 cu. yd.) general purpose	4.0-m ³ (5.25 cu. yd.) light material	2.5-m ³ (3.25 cu. yd.) general purpose	3.4-m ³ (4.5 cu. yd.) light material	2.3-m ³ (3.0 cu. yd.) general purpose	3.1-m ³ (4.0 cu. yd.) light material	2.7-m ³ (3.5 cu. yd.) general purpose	3.4-m ³ (4.5 cu. yd.) light material
A Height to Top of Cab	3.40 m (11 ft. 2 in.)	3.40 m (11 ft. 2 in.)	3.40 m (11 ft. 2 in.)	3.40 m (11 ft. 2 in.)	3.40 m (11 ft. 2 in.)	3.40 m (11 ft. 2 in.)	3.40 m (11 ft. 2 in.)	3.40 m (11 ft. 2 in.)
B Hood Height	2.46 m (8 ft. 1 in.)	2.46 m (8 ft. 1 in.)	2.46 m (8 ft. 1 in.)	2.46 m (8 ft. 1 in.)	2.46 m (8 ft. 1 in.)	2.46 m (8 ft. 1 in.)	2.46 m (8 ft. 1 in.)	2.46 m (8 ft. 1 in.)
C Ground Clearance	384 mm (15.1 in.)	384 mm (15.1 in.)	384 mm (15.1 in.)	384 mm (15.1 in.)	384 mm (15.1 in.)	384 mm (15.1 in.)	384 mm (15.1 in.)	384 mm (15.1 in.)
D Length From Centerline to Front Axle	1.52 m (5 ft. 0 in.)	1.52 m (5 ft. 0 in.)	1.52 m (5 ft. 0 in.)	1.52 m (5 ft. 0 in.)	1.52 m (5 ft. 0 in.)	1.52 m (5 ft. 0 in.)	1.52 m (5 ft. 0 in.)	1.52 m (5 ft. 0 in.)
E Wheelbase	3.09 m (10 ft. 1 in.)	3.09 m (10 ft. 1 in.)	3.09 m (10 ft. 1 in.)	3.09 m (10 ft. 1 in.)	3.09 m (10 ft. 1 in.)	3.09 m (10 ft. 1 in.)	3.09 m (10 ft. 1 in.)	3.09 m (10 ft. 1 in.)
F Overall Length, Bucket on Ground	7.89 m (25 ft. 11 in.)	8.04 m (26 ft. 5 in.)	8.31 m (27 ft. 3 in.)	8.50 m (27 ft. 11 in.)	8.53 m (28 ft. 0 in.)	8.66 m (28 ft. 5 in.)	7.99 m (26 ft. 2 in.)	8.13 m (26 ft. 8 in.)
G Height to Hinge Pin, Fully Raised	3.96 m (13 ft. 0 in.)	3.96 m (13 ft. 0 in.)	4.32 m (14 ft. 2 in.)	4.32 m (14 ft. 2 in.)	4.57 m (15 ft. 0 in.)	4.57 m (15 ft. 0 in.)	4.00 m (13 ft. 1 in.)	4.00 m (13 ft. 1 in.)
H Dump Clearance, 45 deg., Full Height	2.76 m (9 ft. 1 in.)	2.66 m (8 ft. 9 in.)	3.15 m (10 ft. 4 in.)	3.02 m (9 ft. 11 in.)	3.45 m (11 ft. 4 in.)	3.37 m (11 ft. 1 in.)	2.74 m (9 ft. 0 in.)	2.64 m (8 ft. 8 in.)
I Reach, 45-deg. Dump, Full Height	1.17 m (3 ft. 10 in.)	1.28 m (4 ft. 2 in.)	1.28 m (4 ft. 2 in.)	1.42 m (4 ft. 8 in.)	1.24 m (4 ft. 1 in.)	1.34 m (4 ft. 5 in.)	1.39 m (4 ft. 7 in.)	1.51 m (4 ft. 11 in.)
J Reach, 45-deg. Dump, 2.13-m (7 ft. 0 in.) Clearance	1.64 m (5 ft. 5 in.)	1.69 m (5 ft. 7 in.)	2.03 m (6 ft. 8 in.)	2.10 m (6 ft. 11 in.)	2.21 m (7 ft. 3 in.)	2.27 m (7 ft. 6 in.)	1.83 m (6 ft. 0 in.)	1.89 m (6 ft. 2 in.)
K Maximum Digging Depth	0.10 m (4 in.)	0.11 m (4 in.)	0.20 m (8 in.)	0.21 m (8 in.)	0.19 m (7 in.)	0.19 m (7 in.)	0.13 m (5 in.)	0.13 m (5 in.)
L Maximum Rollback at Ground Level	44 deg.	44 deg.	48 deg.	48 deg.	49 deg.	49 deg.	52 deg.	52 deg.
M Maximum Rollback, Boom Fully Raised	60 deg.	60 deg.	60 deg.	60 deg.	60 deg.	60 deg.	57 deg.	57 deg.
N Maximum Bucket Dump Angle, Fully Raised	48 deg.	48 deg.	46 deg.	45 deg.	45 deg.	45 deg.	50 deg.	50 deg.
Loader Clearance Circle, Bucket Carry Position	12.06 m (39 ft. 7 in.)	12.44 m (40 ft. 10 in.)	12.34 m (40 ft. 6 in.)	12.80 m (42 ft. 0 in.)	12.76 m (41 ft. 11 in.)	13.00 m (42 ft. 8 in.)	13.00 m (40 ft. 2 in.)	12.5 m (41 ft. 0 in.)
Specifications With Bucket With Bolt-On Edge								
Capacity, Heaped	2.7 m ³ (3.5 cu. yd.)	4.0 m ³ (5.25 cu. yd.)	2.5 m ³ (3.25 cu. yd.)	3.4 m ³ (4.5 cu. yd.)	2.3 m ³ (3.0 cu. yd.)	3.1 m ³ (4.0 cu. yd.)	2.7 m ³ (3.5 cu. yd.)	3.4 m ³ (4.5 cu. yd.)
Capacity, Struck	2.17 m ³ (2.8 cu. yd.)	3.46 m ³ (4.53 cu. yd.)	2.1 m ³ (2.7 cu. yd.)	2.9 m ³ (3.8 cu. yd.)	1.9 m ³ (2.4 cu. yd.)	2.6 m ³ (3.4 cu. yd.)	1.9 m ³ (2.4 cu. yd.)	2.9 m ³ (3.8 cu. yd.)
Bucket Weight With Bolt-On Cutting Edge	1655 kg (3,649 lb.)	1925 kg (4,245 lb.)	1633 kg (3,601 lb.)	1843 kg (4,063 lb.)	1586 kg (3,496 lb.)	1780 kg (3,924 lb.)	1437 kg (3,167 lb.)	1626 kg (3,584 lb.)
Bucket Width	2.68 m (8 ft. 10 in.)	3.05 m (10 ft. 0 in.)	2.69 m (8 ft. 10 in.)	2.89 m (9 ft. 6 in.)	2.69 m (8 ft. 10 in.)	2.89 m (9 ft. 6 in.)	2.68 m (8 ft. 10 in.)	2.89 m (9 ft. 6 in.)
Breakout Force	12 161 kg (26,810 lb.)	10 789 kg (23,785 lb.)	13 052 kg (28,776 lb.)	10 709 kg (23,610 lb.)	13 266 kg (29,246 lb.)	11 874 kg (26,310 lb.)	11 477 kg (25,302 lb.)	10 290 kg (22,686 lb.)
Tipping Load, Straight, No Tire Deflection	12 357 kg (27,242 lb.)	11 990 kg (26,434 lb.)	10 624 kg (23,422 lb.)	10 177 kg (22,437 lb.)	9779 kg (21,559 lb.)	9547 kg (20,701 lb.)	11 577 kg (25,523 lb.)	11 544 kg (25,450 lb.)
Tipping Load, Straight, With Tire Deflection	11 613 kg (25,602 lb.)	11 220 kg (24,736 lb.)	10 074 kg (22,209 lb.)	9600 kg (21,164 lb.)	9294 kg (20,490 lb.)	9042 kg (19,577 lb.)	10 920 kg (24,074 lb.)	10 854 kg (23,929 lb.)
Tipping Load, 40-deg. Full Turn, No Tire Deflection	10 652 kg (23,483 lb.)	10 292 kg (22,690 lb.)	9130 kg (20,127 lb.)	8690 kg (19,158 lb.)	8348 kg (18,405 lb.)	8120 kg (17,581 lb.)	9993 kg (22,031 lb.)	9939 kg (21,912 lb.)
Tipping Load, 40-deg. Full Turn, With Tire Deflection	9663 kg (21,303 lb.)	9273 kg (20,443 lb.)	8385 kg (18,486 lb.)	7911 kg (17,441 lb.)	7686 kg (16,945 lb.)	7437 kg (16,032 lb.)	9108 kg (20,080 lb.)	9006 kg (19,855 lb.)
Rated Operating Load, 50% Full-Turn Tipping Load, No Tire Deflection (conforms to ISO 14397-1)*	5326 kg (11,742 lb.)	5146 kg (11,345 lb.)	4565 kg (10,064 lb.)	4345 kg (9,579 lb.)	4174 kg (9,203 lb.)	4060 kg (8,790 lb.)	4997 kg (11,015 lb.)	4970 kg (10,956 lb.)
Rated Operating Load, 50% Full-Turn Tipping Load, With Tire Deflection (conforms to ISO 14397-1)*	4832 kg (10,652 lb.)	4637 kg (10,222 lb.)	4193 kg (9,243 lb.)	3956 kg (8,720 lb.)	3843 kg (8,472 lb.)	3719 kg (8,016 lb.)	4554 kg (10,040 lb.)	4503 kg (9,927 lb.)
Operating Weight	16 225 kg (35,769 lb.)	16 495 kg (36,365 lb.)	16 410 kg (36,178 lb.)	16 620 kg (36,641 lb.)	16 605 kg (36,607 lb.)	16 799 kg (37,174 lb.)	15 939 kg (35,140 lb.)	16 128 kg (35,556 lb.)

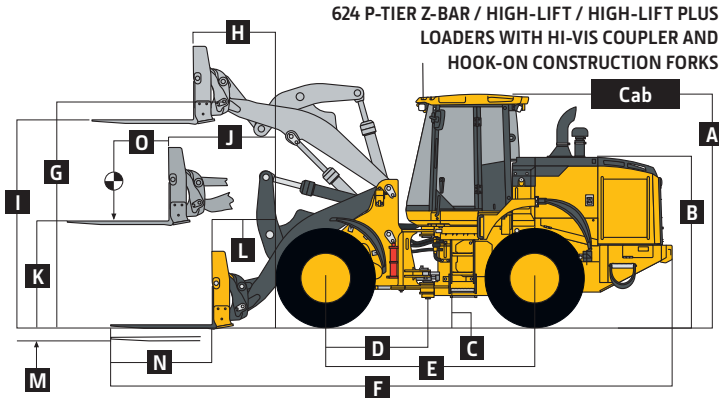
Loader operating information is based on machine with identified linkage and standard equipment, PowerTech PVS 6068 (EPA Final Tier 4/EU Stage V) engine, ROPS cab, rear cast bumper/counterweight, transmission side-frame guards, bottom guards, standard tires, full fuel tank, and 79-kg (175 lb.) operator. This information is affected by changes in tires, ballast, and different attachments, and assumes no tire deflection per the standard ISO 14397-1 section 5. / *Rated operating capacity based on Deere attachments only.

While general information, pictures, and descriptions are provided, some illustrations and text may include product options and accessories NOT AVAILABLE in all regions, and in some countries products and accessories may require modifications or additions to ensure compliance with the local regulations of those countries.

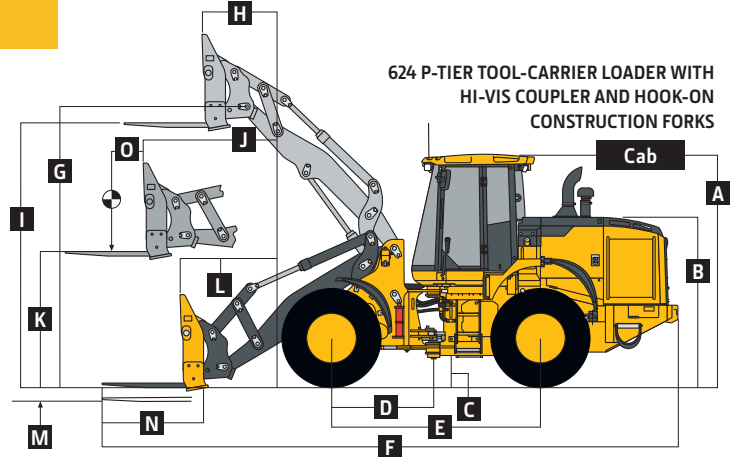
624 P-TIER

Dimensions and Specifications With Hi-Vis Coupler and Hook-On Construction Forks

624 P-TIER Z-BAR / HIGH-LIFT / HIGH-LIFT PLUS / TOOL CARRIER



624 P-TIER Z-BAR / HIGH-LIFT / HIGH-LIFT PLUS LOADERS WITH HI-VIS COUPLER AND HOOK-ON CONSTRUCTION FORKS



624 P-TIER TOOL-CARRIER LOADER WITH HI-VIS COUPLER AND HOOK-ON CONSTRUCTION FORKS

	Z-Bar	Z-Bar	High-Lift	High-Lift	High-Lift Plus	High-Lift Plus	Tool Carrier	Tool Carrier
Dimensions With Forks (illustrations above)	1.52-m (60 in.)	1.83-m (72 in.)	1.52-m (60 in.)	1.83-m (72 in.)	1.52-m (60 in.)	1.83-m (72 in.)	1.52-m (60 in.)	1.83-m (72 in.)
A Height to Top of Cab	3.40 m (11 ft. 2 in.)	3.40 m (11 ft. 2 in.)	3.40 m (11 ft. 2 in.)	3.40 m (11 ft. 2 in.)	3.40 m (11 ft. 2 in.)	3.40 m (11 ft. 2 in.)	3.40 m (11 ft. 2 in.)	3.40 m (11 ft. 2 in.)
B Hood Height	2.46 m (8 ft. 1 in.)	2.46 m (8 ft. 1 in.)	2.46 m (8 ft. 1 in.)	2.46 m (8 ft. 1 in.)	2.46 m (8 ft. 1 in.)	2.46 m (8 ft. 1 in.)	2.46 m (8 ft. 1 in.)	2.46 m (8 ft. 1 in.)
C Ground Clearance	384 mm (15.1 in.)	384 mm (15.1 in.)	384 mm (15.1 in.)	384 mm (15.1 in.)	384 mm (15.1 in.)	384 mm (15.1 in.)	384 mm (15.1 in.)	384 mm (15.1 in.)
D Length From Centerline to Front Axle	1.52 m (5 ft. 0 in.)	1.52 m (5 ft. 0 in.)	1.52 m (5 ft. 0 in.)	1.52 m (5 ft. 0 in.)	1.52 m (5 ft. 0 in.)	1.52 m (5 ft. 0 in.)	1.52 m (5 ft. 0 in.)	1.52 m (5 ft. 0 in.)
E Wheelbase	3.09 m (10 ft. 1 in.)	3.09 m (10 ft. 1 in.)	3.09 m (10 ft. 1 in.)	3.09 m (10 ft. 1 in.)	3.09 m (10 ft. 1 in.)	3.09 m (10 ft. 1 in.)	3.09 m (10 ft. 1 in.)	3.09 m (10 ft. 1 in.)
F Overall Length, Forks on Ground	8.50 m (27 ft. 11 in.)	8.80 m (28 ft. 11 in.)	8.96 m (29 ft. 5 in.)	9.26 m (30 ft. 5 in.)	9.25 m (30 ft. 4 in.)	9.56 m (31 ft. 4 in.)	8.63 m (28 ft. 4 in.)	8.94 m (29 ft. 4 in.)
G Height to Hinge Pin, Fully Raised	3.96 m (13 ft. 0 in.)	3.96 m (13 ft. 0 in.)	4.32 m (14 ft. 2 in.)	4.32 m (14 ft. 2 in.)	4.57 m (15 ft. 0 in.)	4.57 m (15 ft. 0 in.)	4.00 m (13 ft. 1 in.)	4.00 m (13 ft. 1 in.)
H Reach, Fully Raised	0.81 m (32 in.)	0.81 m (32 in.)	0.95 m (3 ft. 1 in.)	0.95 m (3 ft. 1 in.)	0.96 m (3 ft. 2 in.)	0.96 m (3 ft. 2 in.)	1.05 m (3 ft. 5 in.)	1.05 m (3 ft. 5 in.)
I Fork Height, Fully Raised	3.64 m (11 ft. 11 in.)	3.64 m (11 ft. 11 in.)	4.00 m (13 ft. 2 in.)	4.00 m (13 ft. 2 in.)	4.25 m (13 ft. 11 in.)	4.25 m (13 ft. 11 in.)	3.72 m (12 ft. 2 in.)	3.72 m (12 ft. 2 in.)
J Maximum Reach, Fork Level	1.62 m (5 ft. 4 in.)	1.62 m (5 ft. 4 in.)	1.98 m (6 ft. 6 in.)	1.98 m (6 ft. 6 in.)	2.18 m (7 ft. 2 in.)	2.18 m (7 ft. 2 in.)	1.80 m (5 ft. 11 in.)	1.80 m (5 ft. 11 in.)
K Fork Height, Maximum Reach	1.69 m (5 ft. 7 in.)	1.69 m (5 ft. 7 in.)	1.69 m (5 ft. 7 in.)	1.69 m (5 ft. 7 in.)	1.69 m (5 ft. 7 in.)	1.69 m (5 ft. 7 in.)	1.80 m (5 ft. 11 in.)	1.80 m (5 ft. 11 in.)
L Reach, Ground Level	1.06 m (3 ft. 6 in.)	1.06 m (3 ft. 6 in.)	1.49 m (4 ft. 11 in.)	1.49 m (4 ft. 11 in.)	1.73 m (5 ft. 8 in.)	1.73 m (5 ft. 8 in.)	1.21 m (4 ft. 0 in.)	1.21 m (4 ft. 0 in.)
M Depth Below Ground	77 mm (3 in.)	77 mm (3 in.)	181 mm (7 in.)	181 mm (7 in.)	173 mm (7 in.)	173 mm (7 in.)	173 mm (7 in.)	173 mm (7 in.)
N Tine Length	1.52 m (60 in.)	1.83 m (72 in.)	1.52 m (60 in.)	1.83 m (72 in.)	1.52 m (60 in.)	1.83 m (72 in.)	1.52 m (60 in.)	1.83 m (72 in.)
O Load Position, 50% Tine Length	0.76 m (30 in.)	0.91 m (3 ft. 0 in.)	0.76 m (30 in.)	0.91 m (3 ft. 0 in.)	0.76 m (30 in.)	0.91 m (3 ft. 0 in.)	0.76 m (30 in.)	0.91 m (3 ft. 0 in.)

Specifications With Forks

Tipping Load, Straight, No Tire Deflection	8808 kg (19,418 lb.)	8328 kg (18,360 lb.)	7736 kg (17,054 lb.)	7342 kg (16,186 lb.)	7296 kg (16,085 lb.)	6937 kg (15,293 lb.)	8505 kg (18,750 lb.)	8061 kg (17,771 lb.)
Tipping Load, Straight, With Tire Deflection	8553 kg (18,856 lb.)	8091 kg (17,838 lb.)	7515 kg (16,568 lb.)	7134 kg (15,728 lb.)	7104 kg (15,662 lb.)	6759 kg (14,901 lb.)	8283 kg (18,261 lb.)	7851 kg (17,308 lb.)
Tipping Load, 40-deg. Full Turn, No Tire Deflection	7602 kg (16,760 lb.)	7178 kg (15,825 lb.)	6639 kg (14,636 lb.)	6291 kg (13,869 lb.)	6232 kg (13,739 lb.)	5915 kg (13,041 lb.)	7350 kg (16,204 lb.)	6957 kg (15,338 lb.)
Tipping Load, 40-deg. Full Turn, With Tire Deflection	7251 kg (15,986 lb.)	6858 kg (15,119 lb.)	6330 kg (13,955 lb.)	6006 kg (13,241 lb.)	5946 kg (13,109 lb.)	5643 kg (12,441 lb.)	7023 kg (15,483 lb.)	6648 kg (14,656 lb.)
Rated Operating Load, 50% Full-Turn Tipping Load, With Tire Deflection (conforms to ISO 14397-1 and SAE J1197)*	3626 kg (7,993 lb.)	3429 kg (7,560 lb.)	3165 kg (6,978 lb.)	3003 kg (6,620 lb.)	2973 kg (6,554 lb.)	2822 kg (6,220 lb.)	3512 kg (7,742 lb.)	3324 kg (7,328 lb.)
Rated Operating Load, Rough Terrain, 60% Full-Turn Tipping Load, With Tire Deflection (conforms to EN474-3)*	4351 kg (9,591 lb.)	4115 kg (9,072 lb.)	3798 kg (8,373 lb.)	3604 kg (7,945 lb.)	3568 kg (7,865 lb.)	3386 kg (7,464 lb.)	4214 kg (9,290 lb.)	3989 kg (8,794 lb.)
Rated Operating Load, Firm and Level Ground, 80% Full-Turn Tipping Load, With Tire Deflection (conforms to EN474-3)*	5801 kg (12,789 lb.)	5486 kg (12,095 lb.)	5064 kg (11,164 lb.)	4805 kg (10,593 lb.)	4757 kg (10,487 lb.)	4514 kg (9,953 lb.)	5618 kg (12,386 lb.)	5318 kg (11,725 lb.)
Operating Weight	16 005 kg (35,286 lb.)	16 066 kg (35,420 lb.)	16 213 kg (35,744 lb.)	16 272 kg (35,875 lb.)	16 454 kg (36,274 lb.)	16 516 kg (36,412 lb.)	15 721 kg (34,659 lb.)	15 807 kg (34,849 lb.)

Loader operating information is based on machine with identified linkage and standard equipment, PowerTech PVS 6068 (EPA Final Tier 4/EU Stage V) engine, ROPS cab, rear cast bumper/counterweight, transmission side-frame guards, bottom guards, standard tires, full fuel tank, and 79-kg (175 lb.) operator. This information is affected by changes in tires, ballast, and different attachments.

*Rated operating capacity based on Deere attachments only.

While general information, pictures, and descriptions are provided, some illustrations and text may include product options and accessories NOT AVAILABLE in all regions, and in some countries products and accessories may require modifications or additions to ensure compliance with the local regulations of those countries.

Adjustments to Operating Weights and Tipping Loads With Buckets 624 P-TIER Z-BAR / HIGH-LIFT / HIGH-LIFT PLUS / TOOL CARRIER

Adjustments to operating weights, tipping loads, and tires are based on Z-Bar machine with pin-on 2.7-m³ (3.5 cu. yd.) general-purpose bucket with bolt-on cutting edge, ROPS cab, rear cast bumper/counterweight, transmission side-frame guards, bottom guards, standard tires, full fuel tank, and 79-kg (175 lb.) operator*

Add (+) or deduct (-) kg (lb.) as indicated for loaders with 3-piece rims	Operating Weight	Tipping Load, Straight	Tipping Load, 40-deg. Full Turn	Tread Width	Width Over Tires	Vertical Height
Michelin 20.5 R 25, 1 Star L-3 XHA2	0 kg (0 lb.)	0 kg (0 lb.)	0 kg (0 lb.)	0 mm (0 in.)	0 mm (0 in.)	0 mm (0 in.)
Bridgestone 20.5 R 25, 1 Star L-3 VJT	+4 kg (+9 lb.)	+3 kg (+6 lb.)	+3 kg (+6 lb.)	0 mm (0 in.)	+3 mm (+0.1 in.)	-41 mm (-1.6 in.)
Titan 20.5 R 25, 1 Star L-3 STL3	+8 kg (+19 lb.)	+6 kg (+13 lb.)	+5 kg (+13 lb.)	0 mm (0 in.)	-6 mm (-0.2 in.)	-7 mm (-0.3 in.)
Michelin 20.5 R 25, 1 Star L-2 XTLA	-152 kg (-335 lb.)	-110 kg (-242 lb.)	-97 kg (-214 lb.)	0 mm (0 in.)	+5 mm (+0.2 in.)	-10 mm (-0.4 in.)
Bridgestone 20.5 R 25, 1 Star L-2 VUUT	-68 kg (-149 lb.)	-49 kg (-108 lb.)	-43 kg (-95 lb.)	0 mm (0 in.)	+4 mm (+0.2 in.)	-10 mm (-0.4 in.)
Titan 20.5 R 25, 1 Star L-2 TGD2	-116 kg (-255 lb.)	-84 kg (-184 lb.)	-74 kg (-162 lb.)	0 mm (0 in.)	-6 mm (-0.2 in.)	-10 mm (-0.4 in.)
Firestone 20.5-25, 16 PR L-3 SRG Bias	-276 kg (-608 lb.)	-200 kg (-440 lb.)	-176 kg (-388 lb.)	0 mm (0 in.)	+9 mm (+0.4 in.)	+6 mm (+0.2 in.)
Titan 20.5-25, 16 PR L-2 Bias	-232 kg (-511 lb.)	+168 kg (+370 lb.)	-148 kg (-326 lb.)	0 mm (0 in.)	+9 mm (+0.4 in.)	-1 mm (0 in.)
Firestone 20.5-25, 16 PR L-2 SGG Bias	-280 kg (-617 lb.)	-203 kg (-446 lb.)	-178 kg (-393 lb.)	0 mm (0 in.)	+6 mm (+0.2 in.)	+2 mm (+0.1 in.)
Michelin 600/65 R 25, 1 Star L-3T XLD [§]	+16 kg (+36 lb.)	+12 kg (+26 lb.)	+10 kg (+23 lb.)	0 mm (0 in.)	+95 mm (+3.7 in.)	-31 mm (-1.2 in.)
Michelin 20.5 R 25, L2T XSNO-PLUS	-96 kg (-212 lb.)	-69 kg (-153 lb.)	-61 kg (-135 lb.)	0 mm (0 in.)	+7 mm (+0.3 in.)	-33 mm (-1.3 in.)
Michelin 620/75R26 MegaXbib [£]	-207 kg (-457 lb.)	-150 kg (-331 lb.)	-132 kg (-291 lb.)	+86 mm (+3.4 in.)	+147 mm (+5.8 in.)	+23 mm (+0.9 in.)
Michelin 750/65R26 MegaXbib [£]	+37 kg (+81 lb.)	+27 kg (+58 lb.)	+23 kg (+51 lb.)	+222 mm (+8.7 in.)	+422 mm (+16.6 in.)	+36 mm (+1.4 in.)
CaCl ₂ in 20.5-25, L-3 Rear Tires, 75% Fill	+825 kg (+1,820 lb.)	+1193 kg (+2,631 lb.)	+1051 kg (+2,318 lb.)	N/A	N/A	N/A

*May change based on vehicle configuration, weight, or tire-pressure adjustments.

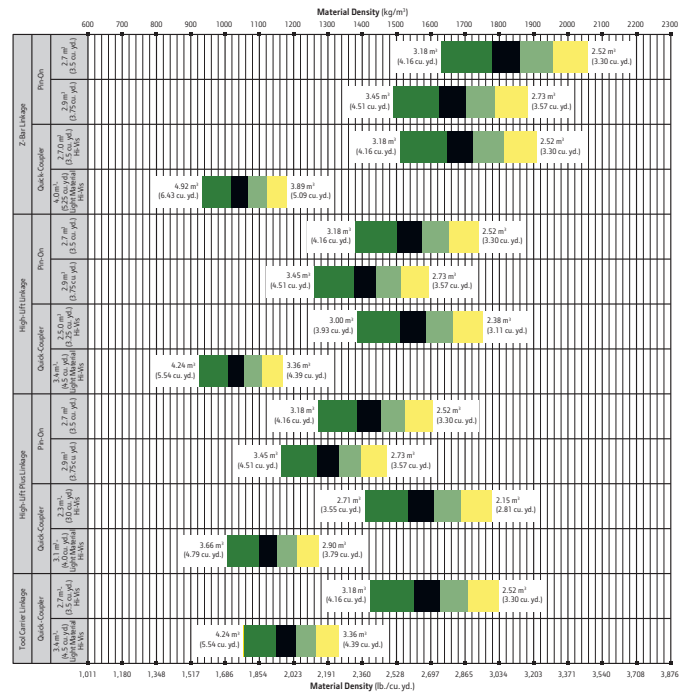
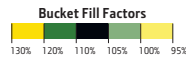
[§]CaCl₂ not recommended.

[£]Equipped with 1-piece rims.

[§]Requires 8-deg. rear axle stops.

Bucket Selection Guides

LOOSE MATERIALS	kg/m ³	lb./cu. yd.	LOOSE MATERIALS	kg/m ³	lb./cu. yd.
Chips, pulpwood	288	486	Limestone, coarse, sized	1570	2,646
Grinders (soil, ashes, clinkers)	673	1,134	Limestone, mixed sizes	1682	2,835
Clay and gravel, dry	1602	2,700	Limestone, pulverized or crushed	1362	2,295
Clay, compact, solid	1746	2,943	Sand, damp	2083	3,510
Clay, dry in lump loose	1009	1,701	Sand, dry	1762	2,970
Clay, excavated in water	1282	2,160	Sand, voids, full of water	2083	3,510
Coal, anthracite, broken, loose	865	1,458	Sandstone, quarried	1314	2,214
Coal, bituminous, moderately wet	801	1,350	Shale, broken crushed	1362	2,295
Earth, common loam, dry	1218	2,052	Slag, furnace granulated	1955	3,294
Earth, mud, packed	1843	3,105	Stone or gravel, 37.5 to 87.5-mm (1.5 to 3.5 in.) size	1442	2,430
Granite, broken	1538	2,592	Stone or gravel, 18.75-mm (0.75 in.) size	1602	2,700
Gypsum	2275	3,834			



Additional equipment

Key: ● Standard ▲ Optional or special
See your John Deere dealer for further information.

624 P Engine

- Wet-sleeve cylinder liners
- Programmable auto-idle and auto shutdown
- Selected idle adjustment from 900–1,250 rpm
- Starter excessive-cranking protection
- Automatic engine cool-down timer
- Automatic derating for exceeded system temperatures
- Serpentine drive belt for automatic tensioner
- Electrical fuel-priming pump
- Dual-stage fuel filter and water separator
- 500-hour vertical spin-on oil filter
- ▲ Engine-compartment light
- ▲ Chrome exhaust stack
- Automatic glow plugs for cold start
- ▲ Engine-block heater (recommended for cold starts below -23 deg. C [-10 deg. F])
- ▲ Centrifugal engine air pre-cleaner
- ▲ Throttle lock

624 P Powertrain

- Clutch cutoff with 4 operator settings: Automatic, level ground, small slope, or steep slope
- Programmable maximum high gear
- Clutch calibration engaged from monitor
- 2,000-hour vertical spin-on transmission filter
- Transmission fill tube and sight gauge
- Transmission diagnostic ports
- ▲ 5-speed transmission with non-lockup torque converter
- 5-speed transmission with lockup torque converter
- Front locking differential
- ▲ Rear locking differential
- Brake retractors and adjusters
- ▲ Automatic differential lock
- Axle oil temperature sensing
- ▲ Wheel-spin control

624 P Quad-Cool™ Cooling System

- Heavy-duty, trash-resistant radiator and high-ambient cooling package
- 2-side access to all coolers
- Isolated from engine compartment
- Engine radiator
- Engine oil cooler
- Hydraulic oil cooler (oil to air)
- Transmission oil cooler (oil to air)
- Charge air cooler (air to air)
- Fuel cooler
- Coolant recovery tank
- Antifreeze, -37 deg. C [-34 deg. F]
- Cool-on-demand, hydraulically driven, swing-out fan
- Enclosed fan safety guard
- ▲ Automatic reversing fan drive
- Axle and service-brake coolers

Additional equipment *(cont.)*

Key: ● Standard ▲ Optional or special
See your John Deere dealer for further information.

624 P Hydraulics
● Electrohydraulic (EH) controls with soft stops and adjustable settings
● In-cab adjustable automatic return-to-dig bucket positioner
● In-cab adjustable automatic boom-height kickout/return to carry
● Reservoir with sight gauge and fill strainer
● Hydraulic diagnostic ports
● 4,000-hour in-tank filter
● 2 function — joystick with F-N-R
▲ 2 function — 2-lever fingertip controls and steering column F-N-R
▲ 3 function — joystick with F-N-R and integrated 3rd-function roller
▲ 3 function — 3-lever fingertip controls and steering column F-N-R
▲ 4 function — joystick with F-N-R and integrated 3rd/4th-function rollers
● Programmable multifunction buttons (2)
● Adjustable and continuous hydraulic-flow settings
● Programmable attachment settings
▲ Ride control, automatic with monitor-adjustable speed settings
▲ Hydraulic control system for quick-coupler locking pins
▲ Hydrau™ XR cold-temperature hydraulic fluid recommended below -25 deg. C (-13 deg. F)
Steering Systems
● Conventional steering wheel with spinner knob
▲ Secondary steering
Electrical
● Solid-state electrical power-distribution system
● Lockable master electrical-disconnect switch
● Battery-terminal safety covers
● By-pass start safety cover at starter
● Remote jump-start access in battery box
● Pre-wired for beacon/strobe light
● Lights: Halogen driving lights with guards (2) / Front (4), rear cab (2), and rear grille (2) work lights / LED front turn signals and flashers / LED stop- and taillights
▲ Premium LED light package (all exterior lights are heavy-duty LED)
● Programmable courtesy lights
● Horn, electric
● Reverse warning alarm
● Multifunction/multi-language 178-mm (7 in.) LCD color monitor includes: Digital instruments — Analog display (hydraulic oil temperature, engine coolant temperature, transmission oil temperature, and engine oil pressure) / Digital display (engine rpm, transmission gear/direction indicator, hour meter, fuel level, diesel exhaust fluid (DEF) level, speedometer, odometer, and average fuel consumption)
▲ Multifunction/multi-language 127-mm (5 in.) LCD color monitor includes: Digital instruments — Analog display (hydraulic oil temperature, engine coolant temperature, transmission oil temperature, and engine oil pressure) / Digital display (engine rpm, transmission gear/direction indicator, hour meter, fuel level, DEF level, speedometer, odometer, and average fuel consumption)

624 P Electrical (continued)
▲ Integrated cycle counter with 5 categories
● Indicator lights: Standard and selected options / Amber caution and red stop
● Operator-warning messages
● Built-in diagnostics: Diagnostic-code details / Sensor values / Calibrations / Individual circuit tester
▲ Electrical corrosion-prevention package
● Standard AM/FM/Weather-Band (WB) radio with remote auxiliary port
▲ Premium AM/FM/WB radio with Bluetooth®, remote auxiliary port, and remote USB port (premium cab only)
● 24- to 12-volt, 8-amp converter and cab power ports (3)
▲ 24- to 12-volt, 15- or 30-amp converter and cab power ports (3)
Operator's Station
● Standard cab with air conditioning/heater (ROPS/FOPS Level 1, isolation mounted)
▲ Premium cab with air conditioning/heater (ROPS/FOPS Level 1, isolation mounted)
▲ Automatic temperature control (premium cab only)
● Rear window defrost vent
● Keyless start with multiple security modes
● Sealed-switch module with function indicators
● Seat with backrest extension, deep foam, fabric cover, and adjustable air suspension
▲ Premium seat with high-wide back- and headrest extension, heated and ventilated, leather/fabric cover, and adjustable heavy-duty air suspension
● Hydraulic controls integrated to seat
● High-visibility, bright-orange seat belt, 76 mm (3 in.), with retractor
▲ Seat-belt minder monitoring with JDLink™ and seat-belt indicator beacon
● Cup holder and cup/Thermos® holder with retaining strap
● Lunch-box/cooler holder with tie-down brackets
● Coat hook
● LED dome and reading light
● Rubber floor mat
● Dual-tilt steering column
● Operator's manual storage compartment
● Outside (2) and inside (1) rearview mirrors
▲ Heated outside mirrors with convex lens
▲ In-cab adjustable heated outside mirrors with convex lens (premium cab only)
● Left-side operator-station access
● Fall-arrest system anchor points tested to 2268 kg (5,000 lb.) on front of cab
● Slip-resistant steps and ergonomic handholds
● Pull-down front sun visor
● Front and rear intermittent windshield wipers and washers
▲ Powered cab air pre-cleaner
▲ Beacon bracket only

624 P Operator's Station (continued)
▲ Beacon bracket with strobe beacon
● Rearview camera
▲ Rearview camera with radar object-detection system
▲ Dedicated 178-mm (7 in.) rear camera display
● Payload scale ready
▲ Fire extinguisher
Loader Linkage
● Z-Bar loader linkage (parallel lift)
▲ High-Lift Z-Bar loader linkage (parallel lift)
▲ High-Lift Plus Z-Bar loader linkage (parallel lift)
▲ Tool Carrier linkage for visibility (parallel lift)
Buckets and Attachments
▲ Full line of Deere pin-on buckets, coupler buckets, and forks
▲ John Deere hydraulic coupler that accepts JRB-pattern attachments
▲ Hi-Vis hydraulic coupler that accepts Euro-pattern attachments (ISO)
Overall Vehicle
● JDLink wireless communication system (available in specific countries; see your dealer for details)
● NeverGrease™ rear-axle oscillation
● Front and rear tie-downs
● Rear cast bumper/counterweight with rear hitch and locking pin
● Articulation locking bar
● Loader boom service locking bar
● 40-deg. steering articulation to each side with rubber-cushion stops on frame
● Vandal protection with lockable engine enclosures, right counterweight storage, and filler access for radiator/fuel/DEF/hydraulic transmission
● Left-side service steps and handholds
▲ Right-side service steps and handrails
▲ Left-side close-mounted steps
● Storage compartment
● Fuel-tank fill strainer
● Heavy-duty fuel-tank guard
● Ground-level fuel and DEF fill
● Same-side ground-level daily servicing
● 20.5R25 tires on 3-piece rims
▲ Ag material-handling package
▲ Waste handler (Z-Bar and High-Lift)
▲ Environmental drains and sample ports for engine, transmission, hydraulic oils, and engine coolant
● Fenders, front narrow
▲ Fenders, front full width
▲ Fenders, front and rear full width
▲ Fenders, front and rear full width with mud flaps
▲ Less wheels and tires with axle stops
▲ Rims less tires
▲ Transmission side-frame and bottom guards
▲ Special guarding for waste applications
▲ Lift eyes
▲ License-plate bracket and light

While general information, pictures, and descriptions are provided, some illustrations and text may include product options and accessories NOT AVAILABLE in all regions, and in some countries products and accessories may require modifications or additions to ensure compliance with the local regulations of those countries.

Net engine power is with standard equipment including air cleaner, exhaust system, alternator, and cooling fan at test conditions per ISO 9249. No derating is required up to 3050-m (10,000 ft.) altitude. Specifications and design subject to change without notice. Specifications with the exception of bucket capacity are in accordance with all applicable ISO standards. Except where otherwise noted, these specifications are based on a unit with applicable linkage and standard equipment, ROPS cab, rear cast bumper/counterweight, transmission side-frame guards, bottom guards, standard tires, full fuel tank, and 79-kg (175 lb.) operator.



MW624PAU (22-01)



JOHN DEERE