

Gator™ Utility Vehicles



JOHN DEERE







Contents

All-round support 4

Work Utility vehicles

Features 8

Gator HPX615E and HPX815E 10

Gator TX and TX Turf 12

Gator TE 14

Gator TH 6x4 16

Cross-Over vehicles

Features XUV500 Series 20

Gator XUV560E and XUV590E 22

Gator XUV590M 24

Gator XUV560/590E S4 and XUV590M S4 26

Features XUV825M S4 and XUV855M S4 28

Gator XUV825M S4 and XUV855M S4 30

Features XUV835 and XUV865 32

Gator XUV835E/M and XUV865E/M 34

Gator XUV835R and XUV865R 36

Product specifications 38

All-round support

From advice and sales to maintenance and repairs, your local John Deere has everything you need to keep your investment running like clockwork. Find your nearest John Deere dealer today at dealerlocator.deere.com





A global community

The people at your local John Deere dealership are always there for you—with personal service you can rely on. As part of the John Deere community, they combine their own individual style with all the benefits of a strong global company.



JOHN DEERE
FINANCIAL

Tailor-made financing

John Deere Financial has been helping customers grow their businesses for more than 150 years. Based on our unique understanding of your market and the challenges you face, we offer competitive, tailor-made financing for the machines you need to raise your game.

From hire, purchase to leasing and rentals, your local John Deere dealer can help you choose the options that suit your business best. Why not drop in for a chat?



Work Utility Vehicles

The versatile workhorse at your side



Looking for a capable partner that's ready to work?
Check out the Work Series Gator™. You'll get more
options, toughness, and grit to get the job done right.



Features

Work Utility Vehicles

These Gator™ work utility vehicles are built tough and will assist you in your daily tasks. They work hard and come equipped with a host of features designed to help you get the job done as quickly and easily as possible.

Effective brakes

Every brake system is precisely matched to the vehicle load capacity. Stop with confidence.

Intuitive controls

Even if you've never driven a Gator before, you'll feel at home right away. All the controls are simple, clear and right where you need them.

More operating convenience on board

Once you get behind the wheel of your work utility vehicle, you'll find even more convenient operating features and storage options on board.

Occupant Protection

You will find an Occupant Protection Structure fitted on all work utility vehicles to help keep you safe.





Deluxe cargo box tilt

With its integrated handle design and gas assist, the deluxe cargo box is now easier to latch, unlatch, raise, and lower. A prop rod is provided to hold the box in the upright position and limit its pivot travel.



From cargo box to flat bed

The improved deluxe cargo box offers even more versatility. When you need to load larger cargo, it easily converts to a convenient flat bed. This allows you to adapt your vehicle's loading space according to your needs, while the flat bed's load height enables easy loading and unloading.

Caution: Carrying extra long cargo that extends beyond the box can adversely affect your vehicle's overall stability.



Spacious and durable deluxe cargo box

The deluxe cargo box consists of a 15% glass-filled polypropylene composite material that eliminates rust, dents, and reduces noise. The cargo box floor and load guard (front panel) are made of steel.

Integrated tie-down points

The deluxe cargo box offers several tie-down points for increased versatility: four corners inside the cargo box bed, four points on the load guard directly behind the operator station, tie-down bars on either side of the cargo box as well as six points on the underside of the cargo box frame.

Tyres

With a tyre option to match the gator you need.



Turf Tyres that let you work hard while minimising damage to turf, available on all work utility vehicles.



High-performance all-purpose tyres provide excellent traction with minimal impact on terrain, available on HPX utility vehicles.



High-performance all-terrain tyres provide an aggressive tread pattern for extra traction, available on all HPX and the TX utility vehicles.



Deluxe cargo box tailgate

The improved tailgate allows for easy loading and unloading, features truck-like performance and can be operated with one hand. It can be opened or removed for easier clean-out or to accommodate longer items. The standard installed lanyards can also be removed to lower the tailgate to 150 degrees.

Gator™ HPX615E and HPX815E

Ready for work

Love a challenge? So do the Gator HPX615E and HPX815E. Even when fully loaded, these utility vehicles are built to clear all types of ground. The over 600 kg payload capacity, 4-wheel drive and semi-independent suspension will help you go where others can't.

4-Wheel Drive (4WD)

The 4WD switch engages both front wheels with full torque, maximising traction. The dual range CVT transmission helps tackle tough terrain too.

Pile it on

Heavy loads? No problem, thanks to a cargo capacity of 454 kg.

Tailgate lights

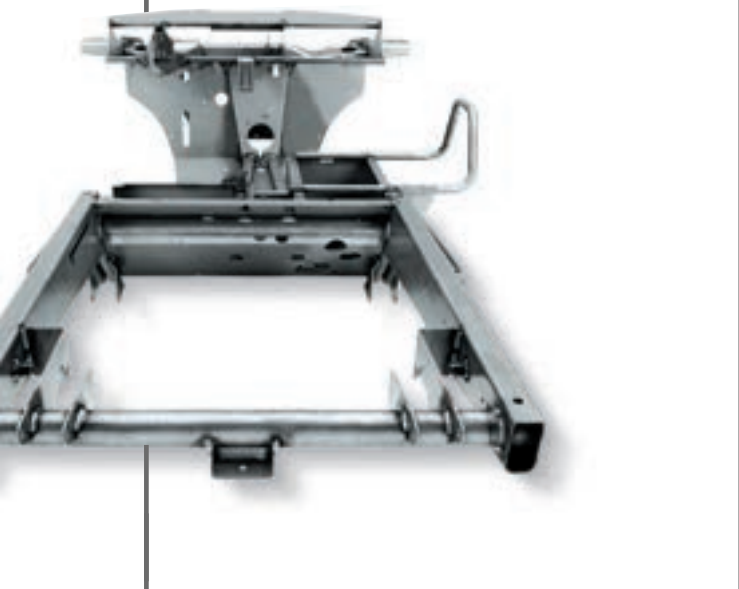
Tailgate lights increase visibility for backing in dusk or low-light conditions.

High-strength hydro-formed steel frame

Our hydro-formed frames have fewer welded or bolted joints for maximum durability, plus high tolerances for twisting and heavy loads.

Pack more work in a day

The HPX615E and HPX815E models are equipped with our deluxe cargo box. Composite construction makes it dent and rust resistant, while the flatbed mode makes it flexible on the job. A power lift kit, tool rack and side extension kit are available when you need to take it to the next level.





Safety first

Each vehicle is fitted with a OPS (Occupant Protection Structure) and comfortable three-point seat belts to keep you safe at all times.

Stop on a sixpence

Fully hydraulic brakes ensure first-class braking performance.



HPX615E

2 Cylinder, petrol engine

15.7 kW (20 hp*)

Speed: 35 km/h

4-Wheel Drive

Rear Suspension: coil-over shock

Towing Capacity: 590 kg

Cargo Capacity: 454 kg



HPX815E

3 Cylinder, diesel engine

15.5 kW (20.8 hp)

Speed: 40 km/h

4-Wheel Drive

Rear Suspension: coil-over shock

Towing Capacity: 590 kg

Cargo Capacity: 454 kg

Optional deluxe cab frame

* The engine horsepower information is provided by the engine manufacturer to be used for comparison purposes only. The actual operating horsepower will be less.



Gator™ TX and TX Turf

Work hard, tread softly

Gently does it. Our hard-working Gator TX models have all the power and capacity you need to get the job done quickly, safely and quietly.

*Operator Protective Structure (OPS) for illustrative purposes only, for local OPS please contact your local John Deere dealer.



Flotation turf tyres and reduced scuffing

The Gator TX models are specifically engineered to tread softly. Differential design reduces scuffing of the turf during turns by ensuring that the inside wheels turn slower than the outside wheels. Traction assist (differential lock) is built into the transaxle, which allows locking the rear drive wheels together and provides increased traction where needed.

Gator TX and TX Turf

Both models have flotation turf tyres and a payload capacity of 454 kg. The TX has a powerful 675 cc engine, while the TX Turf has 401 cc. Its stop-start technology, quiet operation and fuel-saving attributes make the TX Turf ideal for use in a Golf and Sports environment. The TX does not feature this technology.

Stable design

With their low centre of gravity the Gator TX models provide excellent stability on hilly, uneven terrain. For balanced weight distribution the cargo-box is centred over the rear wheels.



On all TX and TX Turf models

- Rear Suspension: Semi-Independent Coil-Over-Shock
- Towing Capacity: 454 kg
- Cargo Capacity: 272 kg
- Low Centre of Gravity
- Deluxe Cargo Box
- All-Wheel Disc Brakes

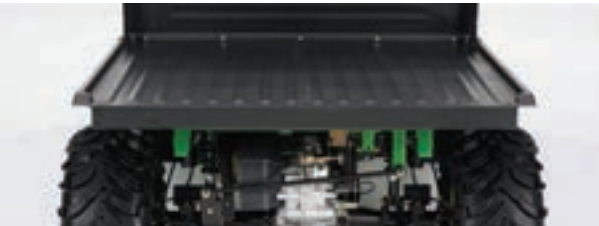
TX Turf

Petrol Engine
Displacement: 400 cc
Speed: 25 km/h
Foot Pedal Start

TX

Petrol Engine
Displacement: 675 cc
Speed: 32 km/h

Cargo Box Side Extension: Increase your cargo box's side height and volume to haul twice the amount. The tailgate pivots at the top for easier access.



Flat Bed: Cargo box sides can be removed in minutes to convert the box to a flat bed.



Tailgate: Fold out the pickup-style tailgate to 90 degrees and down a full 150 degrees with just one hand.

Gator™ TE

A zero-emissions Gator that just keeps going

Golf courses, work premises, enclosed spaces... When quiet operation and zero emissions are the order of the day, the Gator TE really delivers. And thanks to an impressive combination of driving and utility features, you can go electric without compromising on power or functionality.



Whisper-quiet electric power

The Gator TE is equipped with a motor-powered 48-V electrical system for faster acceleration and better uphill performance. Dynamic braking and anti-rollback offer additional security when you take your foot off the accelerator, preventing the vehicle from freewheeling when stopped on a grade. Overspeed control to approximately 13 km/h (8 mph) and the electronic brake ensure your speed remains constant without the loss of torque, even on a downhill incline or in reverse. With its eight high-capacity batteries, the Gator TE can work hard for 7–8 hours between charges—all with zero emissions and practically no noise.

Energy is transformed back into the batteries when the vehicle exceeds the set maximum speed or when dynamic braking is engaged. That's an estimated 3–5% of regenerative energy for a day of work.





Hard Worker: Don't be deceived by the quiet exterior of the Gator TE Utility Vehicle. With solid, one-piece forged axles, a cast aluminium rear axle housing and a deluxe cargo box, it's built for hard work in all conditions.

Increased run-time

Every unit comes with an Underwriters Laboratories Inc. (UL) approved on-board charger that lets you to charge your vehicle from anywhere. Additional safety features prevent overcharging or driving while connected to the charger. Its advanced temperature sensor technology improves the information flow coming in and out of the charger and allows the batteries to charge more fully. This can increase run time by up to 75%, depending on your usage.

TE

Electric Engine

Speed: 32 km/h

Rear Suspension: Two High-Flotation Tyres, Low Pressure Tyres (Solid Axle)

Towing Capacity: 272 kg

Cargo Capacity: 227 kg

Super-Quiet Electric Operation

Zero Emissions

Gator™ TH 6x4

Tow more than you thought

With six wheels, a low centre of gravity and power to spare, the Gator TH 6x4 makes light work of heavy loads. It's our strongest workhorse, can transport up to 508 kg and is prepared to help you power through.



Golf pro

With six high-flotation wheels, the Gator TH 6x4 travels lightly over your valuable turf.

Full power ahead

The powerful yet economical 993 cc, three-cylinder, liquid-cooled, four-cycle diesel engine makes the Gator TH 6x4 a speedy mover even when the going gets tough. The engine is rated 13.6 kW (18.3 hp) at 3000 rpm using standard ECE-R24. Its overhead valve was designed for greater efficiency and fuel economy. It contains a dry replaceable single-element air cleaner with remote intake as well as a spark-arresting muffler. Indirect injection diesel with glow plugs ensure fast starts in cold temperatures, while its dual radiator system adds cooling capacity.



Heavyweight champion

With a total towing capacity of 726 kg, the Gator TH 6x4 is the strongest workhorse in the T Series family.



TH 6x4

Diesel Engine

Displacement: 993 cc

Speed: 32 km/h

4-Wheel Drive

Two High-Flotation Tyres, Low Pressure Tyres (Solid Axle)

Towing Capacity: 726 kg

Cargo Capacity: 508 kg

Low Load Height



Cross-Over Vehicles



Experience the ultimate freedom in a Gator™ XUV!
These working vehicles are a dream to drive—
and fully equipped for safe, surefooted productivity.



Features

XUV500 Series Cross-Over Vehicles

When your work involves moving people and cargo across rough terrain in all weather, consider a Gator™ XUV. These sure-footed workhorses combine outstanding performance with all the pulling power, versatility and operating comfort you demand from a hard-working professional vehicle.



All-day comfort

Our operator-centric design combines true comfort with convenience. This includes easy entry/exit and pass through for the operator and passenger, optimal seating positions for more legroom, and automotive-like ergonomics for excellent driving comfort. Forward-tilting seats keeps you and your belongings dry when it rains, while the built-in 12 volt electrical outlet ensures you always have power for your accessories.



Smooth ride and excellent handling

The XUV560 and XUV590 are equipped with four-wheel independent suspension. This technology provides unique suspension on challenging terrain and excellent handling of corners so that you can operate in comfort.

The front suspension enables optimal front-wheel control, precise steering, maximum ground clearance, and wheel extension for superior traction and vehicle control across the most demanding terrain.



Safety

Each vehicle is fitted with a ROPS and seat belts to keep you safe at all times.



Large and extra-durable cargo box

Convenient tailgate: The tailgate can be opened or removed tool-free for easier clean-out or transport of longer items. Its pivot point is made of hardened steel for added durability. The standard lanyards can easily be disconnected to further convenience loading and unloading.



Smooth tilt, load removal and tie-down

The easy-to-use, one-piece cargo box is critical to performing tasks quickly and efficiently. To remove content from the cargo box, simply tilt the utility-style tailgate in one smooth motion. The manual release also functions as the lift lever and can be operated from both sides of the vehicle. To reduce overall lift effort, we placed the box's pivot point closer to centre. The durable cargo box offers integrated tie-down points for increased versatility. Find flip-up D-shaped rings in all four corners inside the cargo box bed as well as multiple points along the edge of its side walls.



*M spec LED display shown

LCD screen with LED warning lights

The colourful, easy-to-read multi-function LCD screen features speed, hour meter (for easier maintenance intervals), driver's seatbelt and park brake alerts, as well as many other items you'll want to keep an eye on.



Colours

Green and Yellow—Standard

Olive and Black—Optional (XUV590E/M and XUV590E/M S4)

Camo—Optional Realtree Hardwoods HD® pattern (XUV590M and XUV590M S4)



- Terra-Hawk AT** (All Terrain)
- Universal all-round tyres
 - Good traction off-road
 - Low ground pressure



- Maxxis Big Horn 2.0 Radials**
- Radial tyre construction provides better shock absorption
 - Alloy rims for maximum performance and look (All M spec XUV500s)
 - Non-directional tread pattern provides predictable cornering and claws up roots and rocks
 - 6-ply rating for maximum puncture resistance and lifetime

Gator™ XUV560E and XUV590E

Your reliable jack of all trades

Whatever it is, heavy-duty workhorses are there to help you get the job done. Despite being two of our smallest cross-over utility vehicles, the reliable Gator XUV560E and XUV590E provide all the versatility you can get.



Sleek yet hard-working

With a modern front fascia, wide front bumper, sweeping hood lines and high fender lines, this utility vehicle is quite the looker. Yet it is equally hard-working, capable off-road and very easy to drive. For instance, the steel front bumper supports the styled front composite parts, while the heavy steel skid plate provides extra protection from rocks and slumps.



Fully enclosed CVT transmission

High engine and CVT air intake positions help to keep water and debris out and prevent overheating.

Quick acceleration

In line with its appearance the Gator XUV560E is literally up to speed. Powered by a 570 cc V-twin gasoline engine, you can expect swift acceleration and a top speed of 42 km/h (26 mph). The powerful engine is poised to deliver acceleration in 3.5 seconds. Its carburetor is tuned for rapid throttle response, reliable cold-weather starting, smooth mid-range power delivery and quiet idling. That way, you'll not only get the job done well, you'll get it done quickly.



Easy does it

The cargo box consists of a high-density polyethylene copolymer composite material that eliminates rust and dents, and also reduces noise. It matches up well with the utility-style tailgate that can easily be opened or removed when necessary and operated with one hand. The tailgate folds down 90°, making it even easier on you and your back to load and offload.



Operator comfort

The car-style dashboard, foot pedal parking brake and ample storage capacity make the XUV560E a pleasure to drive.



Fully independent suspension

Sets the standard for comfort and provides superior terrain capability while maintaining traction through all conditions.



XUV560E

2-cylinder, petrol engine

11.9 kW (16 hp*)

Speed: 42 km/h

4-Wheel Drive

Fully Independent Suspension

Towing Capacity: 680 kg

Cargo Capacity: 227 kg



XUV590E

2 cylinder, petrol engine

23.8 kW (32 hp)

Speed: 75 km/h

4-Wheel Drive

Fully Independent Suspension

Towing Capacity: 680 kg

Cargo Capacity: 227 kg

* The engine horsepower information is provided by the engine manufacturer to be used for comparison purposes only. The actual operating horsepower will be less.

Gator™ XUV590M

It. Does. Everything.

Even with a full payload, this mid-range XUV is a true all-rounder that combines high transport speeds and power steering with superb ride comfort and handling—even on challenging terrain.



Quick acceleration

The Gator XUV590M Cross-Over Series relies on a 0.59 L inline-twin-cylinder electronic fuel injected (EFI) petrol engine to reach a top speed of 75 km/h. An electronic control unit (ECU) ensures optimal engine performance. The engine is liquid-cooled and rated 23.8 kW (31 hp*).



Quality ride

Enjoy smooth, comfortable handling thanks to power steering, 4-wheel drive and fully independent suspension.



Sturdy and safe

The heavy-duty suspension, wheels and tyres are built for years of hard work.



Ready for action

The optional 1,587 kg (3,500 lb) Warn® winch makes a great addition to your Gator and includes a water-resistant remote control.



Power to spare

Even on a 20% gradient, the 23.8 kW (31 hp*) engine maintains its top speed of 75 km/h.



XUV590M

2-cylinder, petrol engine

23.8 kW (31 hp*)

Speed: 75 km/h

4-Wheel Drive

Fully Independent Suspension

Power Steering: Standard

Towing Capacity: 680 kg

Cargo Capacity: 227 kg



Half doors

These optional rugged poly half doors keep you safe without restricting your vision.



Functional dash

See 18 functions at a glance—from speed and rpm to fuel, temperature and diagnostics.

* The engine horsepower information is provided by the engine manufacturer to be used for comparison purposes only. The actual operating horsepower will be less.

Gator™ XUV560E S4, XUV590E S4 and XUV590M S4

Four seats, four smiles

The S4 has the extra room you need. The rear bench folds down in seconds to fit longer items or more equipment, making this cross-over utility vehicle amazingly flexible.



Carry even more

The cargo box comes equipped with 20 tie-down points and carries 227 kg. Also, the tailgate and rear bench easily fold down to make room for more.



Quick acceleration

Just like its two-seater counterpart, the Gator XUV590M S4 is powered by a 0.59 L inline-twin-cylinder electronic fuel injected (EFI), liquid-cooled and electronically controlled (ECU) petrol engine. With an impressive 23.8 kW (31 hp*) at 5200 rpm, this workhorse has the ability to reach 75 km/h top speed and will reliably transport you, up to three other passengers and more across all sorts of terrain.



Fully independent suspension

4-wheel drive and fully independent suspension that adjusts to your payload make driving this cross-over utility vehicle a real treat. An additional sway bar on the rear axle lets you and your front/rear passengers travel in comfort, even in extreme conditions.

Functional dash

Read 18 functions at a glance on the brightly-lit digital display.



XUV560E S4

2-cylinder, petrol engine

11.9 kW (16 hp*)

Speed: 41 km/h

4-Wheel Drive

Fully Independent Suspension

Power Steering: No

Towing Capacity: 680 kg

Cargo Capacity: 227 kg



XUV590E S4

2-cylinder, petrol engine

23.8 kW (31 hp)

Speed: 75 km/h

4-Wheel Drive

Fully Independent Suspension

Power Steering: No

Towing Capacity: 680 kg

Cargo Capacity: 227 kg



XUV590M S4

2-cylinder, petrol engine

23.8 kW (31 hp)

Speed: 75 km/h

4-Wheel Drive

Fully Independent Suspension

Power Steering: Standard

Towing Capacity: 680 kg

Cargo Capacity: 227 kg

* The engine horsepower information is provided by the engine manufacturer to be used for comparison purposes only. The actual operating horsepower will be less.

Features

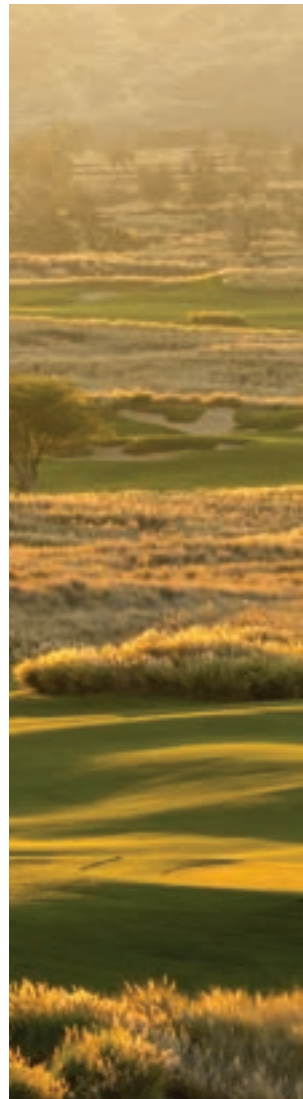
XUV825M S4 and XUV855M S4—Cross-Over Vehicles

When you work hard all day, you need a vehicle that can keep up. The moment you climb aboard the XUV825M S4 or the diesel-powered XUV855M S4 you will know that you have found an ideal partner to manage heavy loads and tricky terrain.



Performance-enhancing suspension and traction

Take rugged terrain and gradients in stride with these high-performance, 4-wheel drive utility vehicles. Dual A-arm front and rear suspension features 203.2 mm (8 in) of travel to provide ample compression and wheel extension, making for a smooth ride and excellent hauling characteristics. The entire suspension system has been optimised to handle all payloads, from zero to maximum, without compromising ride quality or vehicle stability. An additional solid antiroll bar with fully rubber-isolated connecting links and pivots limits body roll and enables quiet operation. This keeps all four wheels on the ground for optimal traction and vehicle control.





All-out diesel power

The XUV855M S4 cross-over vehicles derive their power from an advanced diesel engine that provides several operational benefits, including superb starting, idling and throttle response. With 17 kW (22.8 hp) at 3,400 rpm, the engine operates quietly across the entire rpm range.



The four-person team

We've maximised space to accommodate a team of four with easy-entry/exit for operator and passengers. Choose between the 72 km/h, 39 kW (52 hp) petrol powered XUV825M S4, our fastest, most powerful full-size four-seater, or the 45 km/h, 17 kW (22.8 hp) diesel powered XUV855M S4.



Gator™ XUV825M S4 and XUV855M S4

Room for four plus plenty more

Need room for more? When you're expecting company or your job demands added manpower, the XUV825M S4 and XUV855M S4 are the way to go. They seat four people comfortably with enough space for all your tools and equipment. Even when fully loaded, the power and acceleration will be sure to impress.



A ride to remember

While the XUV855M S4 is powered by a 854 cc, three-cylinder, liquid-cooled, four-cycle diesel engine that delivers superb starting, idling and throttle response during operation. Minimal noise vibration and harshness (NVH) along with hydraulic disc brakes and power steering allow you to operate this surprisingly nimble four-seater smoothly.

Occupant side retention

Choose from ANSI certified OSR nets (standard) or available stylish half-doors. Both offer easy single handed open and closing.

Plenty of space for four

Four seats. True, on demand 4-wheel drive and fully independent suspension for a smooth, comfortable ride.

Convertible rear bench

The rear bench folds down in seconds when you need to carry long items or store your things.





Full-size cargo box

Even though the S4 version seats four, it has the same size cargo box as the two-seater equivalent. The box consists of a noise-reducing, 15% glass-filled polypropylene composite material that eliminates rust and dents and can easily be converted into a flat bed. This configuration is ideal for loading larger cargo.



XUV825M S4

- 3-cylinder, Electronic Fuel Injection (EFI) petrol engine

- 39 kW (52 hp)

- Speed: 72 km/h

- 4-Wheel Drive

- Fully Independent Suspension

- Power Steering: Standard

- Towing Capacity: 680 kg

- Cargo Capacity: 454 kg



XUV855M S4

- 3-cylinder, diesel engine

- 17 kW (22.8 hp)

- Speed: 45 km/h

- 4-Wheel Drive

- Fully Independent Suspension

- Power Steering: Standard

- Towing Capacity: 680 kg

- Cargo Capacity: 454 kg



Features

XUV835E/M/R and XUV865E/M/R—Cross-Over Vehicles

Once you experience the XUV835 and XUV865 cross-over utility vehicles, you won't look any further. These Gators™ tick all the boxes in terms of power, capacity and car-style comfort.



Open or closed?

Choose either an open cab with nets, or the fully-enclosed cab with poly doors for maximum protection and minimum noise.

The front windshield fully opens

Unlatch the front windshield on our cabs and open to let the outside in. Only when you want to.

Ride in style

Whether it is a completely open operator station or a factory-installed cab, the interior has been designed with comfort and ergonomics in mind.





Wired for action

The cab comes with all cables pre-installed, so hooking up a winch is easy.



Go higher

With true on-demand 4-wheel drive and even more ground clearance, both models go where others can't when conditions are tricky.



Powerful HVAC system

With four adjustable dash vents and three fan speeds, the efficient heating, ventilation, and air conditioning (HVAC) system keeps you at the perfect temperature year-round. Automotive-style controls in the centre of the dash make for easy and convenient use by the operator or passengers (Standard on the XUV835R and XUV865R, optional for XUV835M and XUV865M).



Take it away

Heavy or bulky loads? No problem—these models have ample towing and cargo capacity, plus roadholding and brakes to match.

With an optional Power Lift, your Gator doubles as a dump truck.



Stand out or blend in

The GATOR XUV835M and XUV865M models come in three different colorways. Have your say and choose between the John Deere Green and Yellow, Olive and Black or woodland Camouflage. It's your call.

Gator™ XUV835E/M and XUV865E/M

The ultimate in comfort and performance

Whatever the challenge, the Gator XUV835 and the Gator XUV865 are ready to take it on. Be it comfort or performance, these four vehicles are all about setting new standards.



E and M models

Get all the basics with the E models or upgrade to our M models. The M model XUV Gators come with upgraded plug-and-play wiring, with many options in open station and cab configurations.

Easy access

When navigating narrow spaces, you will find these Gators are astonishingly compact and offer all-round visibility.

Steel skid plates

Mother Nature fights dirty. That's why Gator XUVs are equipped with high-strength steel underbody protection.



More manpower: In need of an extra pair of hands? Simply adjust the driver seat and make room for more. The Gator XUV835E/M and Gator XUV865E/M cab can comfortably seat up to three passengers.



Additional storage: You can never have enough storage room. To make sure your equipment and personal items are safely stored away and out of sight, just tip the passenger bench forward and use the extra storage space underneath.



Choose your fuel

All models offer car-style comfort and controls. Choose between a petrol powered XUV835E/M or the Diesel-powered XUV865E/M.



XUV835E

3-cylinder, EFI petrol engine

43 kW (54 hp)

Speed: 72 km/h

4-Wheel Drive

Fully Independent Suspension

Power Steering: No

Towing Capacity: 907 kg

Cargo Capacity: 454 kg



XUV865E

3-cylinder, diesel engine

17 kW (22.8 hp)

Speed: 45 km/h

4-Wheel Drive

Fully Independent Suspension

Power Steering: No

Towing Capacity: 907 kg

Cargo Capacity: 454 kg



XUV835M

3-cylinder, EFI petrol engine

43 kW (54 hp)

Speed: 72 km/h

4-Wheel Drive

Fully Independent Suspension

Power Steering: Standard

Towing Capacity: 907 kg

Cargo Capacity: 454 kg

Optional Heating and Air Conditioning (HVAC)



XUV865M

3-cylinder, diesel engine

17 kW (22.8 hp)

Speed: 45 km/h

4-Wheel Drive

Fully Independent Suspension

Power Steering: Standard

Towing Capacity: 907 kg

Cargo Capacity: 454 kg

Optional Heating and Air Conditioning (HVAC)

Gator™ XUV835R and XUV865R

As comfortable as work gets

The XUV835R and XUV865R are the most comfortable Gators in the John Deere family. They combine the remarkable performance of the XUV835M and XUV865M cross-over utility vehicles with a wide range of additional features for even more comfort—you might just keep on working.



Work in comfort

Standard features include car-style seating, easy-open door handles, a windscreen that opens fully, as well as heating, ventilation and air conditioning (HVAC). The styled roof moves water to the outside edges, and front/rear lights are below the roof line for better protection.

Automotive-style braking

Massive twin piston 209.6 mm (8.25 in) hydraulic disc brakes bring you to a stop, pronto. And a 66% front brake bias helps prevent the rear axle from locking up during sudden stops, so you maintain control.

True on-demand 4WD

Switch between turf friendly traction mode to a locked rear diff to On-Demand True 4WD for maximum traction for the most challenging terrain. (In this mode, an electronic interlock engages to prevent all power from being transferred to a wheel that has lost all traction.)

A fresh look

The R trim provides your cab with a wide array of extras, ranging from a tan interior to electrical wiring for attachments as well as heating, ventilation and air conditioning (HVAC). It also includes a tan cloth 40/60 bench seat, A and B post covers, a rear panel cover, tan door panels, an interior rearview mirror, high- and low-beam LED headlights, a dome light, sun visors, a windshield wiper and washer.





Ideal working climate

With four dash vents, four air flow modes and three fan speeds, the efficient heating, ventilation and air conditioning (HVAC) system helps you control your working temperature year-round. Easy-to-use automotive-style controls are conveniently located in the centre of the dash, within reach of the operator and passengers.



Stable cornering

An unequal-length double wishbone suspension helps maintain excellent cornering force, but is designed to maintain control in challenging situations. Extensive skid-pad testing verified predictable handling with and without a fully loaded cargo box.

Tough clutch belts

Our double-cogged wear-resistant belts are designed to wear slowly and deliver in tough conditions.

High ground clearance

279.4 mm (11 in) of ground clearance prevents the Full-Size XUV from getting high-centered even on extremely uneven terrain.



XUV835R

3-cylinder, EFI petrol engine

43 kW (54 hp)

Speed: 72 km/h

4-Wheel Drive

Fully Independent Suspension

Power Steering: Standard

Towing Capacity: 907 kg

Cargo Capacity: 454 kg

Heating and Air Conditioning (HVAC)



XUV865R

3-cylinder, diesel engine

17 kW (22.8 hp)

Speed: 45 km/h

4-Wheel Drive

Fully Independent Suspension

Power Steering: Standard

Towing Capacity: 907 kg

Cargo Capacity: 454 kg

Heating and Air Conditioning (HVAC)

Specifications



Models	HPX615E	HPX815E
Engine		
Type	617 cc, 2-cylinder, petrol	854 cc, 3-cylinder, diesel
Power kW (hp)	15.7 (21*)	13.6 (18.2*)
Cooling System	Liquid	Liquid
Fuel Tank, L	27.6	27.6
Power steering		
	No	No
4-wheel drive		
	Yes	Yes
Drive system		
Type	2-speed Continuously Variable Transmission (CVT)	2-speed CVT
Ground Speed, km/h	0 – 35 Forward, 0 – 21 Reverse	0 – 40 Forward, 0 – 19 Reverse
Differential Lock	Auto-locking (front) / positive locking, mechanically actuated-hand-operated (rear)	Auto-locking (front) / positive locking, mechanically actuated-hand-operated (rear)
Brakes		
Base	Front / rear hydraulic disc	Front / rear hydraulic disc
Optional	Park brake	Park brake
Suspension		
Front	Independent with McPherson Strut	Independent with McPherson Strut
Rear	Coil-over-shock	Coil-over-shock
Travel, mm	131 front and 90 rear	131 front and 90 rear
Dimensions		
Dimensions (W×L×H), mm	1524 × 2870 × 1867	1524 × 2870 × 1867
Weight (Including Fluids), kg	710	728
Towing Capacity, kg	590	590
Payload Capacity, kg	673	655
Ground clearance		
	152 mm	152 mm
Deluxe cargo box		
Type / Material	Deluxe (polypropylene side panels and tailgate; steel floor and load guard)	Deluxe (polypropylene side panels and tailgate; steel floor and load guard)
Dimensions (L×W×D), mm	1143 × 1320 × 305	1143 × 1320 × 305
Volume, L	460	460
Capacity, kg	454	454
Tyres		
Front	24 × 9.5 – 10, 4 PR High Performance All Purpose (HPAP) 24 × 9.5 – 10, 4 PR High Performance All Terrain (HPAT) 24 × 9.5 – 10, 4 PR Turf	24 × 9.5 – 10, 4 PR High Performance All Purpose (HPAP) 24 × 9.5 – 10, 4 PR High Performance All Terrain (HPAT) 24 × 9.5 – 10, 4 PR Turf
Rear	24 × 10.5 – 10, 4 PR High Performance All Purpose (HPAP) 24 × 12 – 10, 4 PR High Performance All Terrain (HPAT) 24 × 12 – 10, 4 PR Turf	24 × 10.5 – 10, 4 PR High Performance All Purpose (HPAP) 24 × 12 – 10, 4 PR High Performance All Terrain (HPAT) 24 × 12 – 10, 4 PR Turf
Colours		
	Green and Yellow	Green and Yellow
Seating capacity		
	2	2

*The engine horsepower and torque information are provided by the engine manufacturer to be used for comparison purposes only. Actual operating horsepower and torque will be less. Refer to the engine manufacturer's website for additional information.

TX	TH	TX TURF	TE
675 cc 2-cylinder, petrol	993 cc, 3-cylinder, diesel	400 cc, 1-cylinder, petrol	48 VDC separately excited, electric
11.6 (15.5*)	13.6 (18.2*)	10.1 (13.5*)	48 V with 8 batteries
Air	Liquid	Air	Air
18.9	19	19	N/A
No	No	No	No
No	No	No	No
2-speed CVT with clutch enclosure, oil bath	2-speed CVT with clutch enclosure, oil bath	2-speed CVT with clutch enclosure, oil bath	N/A
0 – 32 Forward, 0 – 31 Reverse	0 – 27 Forward 0 – 27 Reverse	0 – 25 Forward, 0 – 24 Reverse	0 – 32 Forward, 0 – 14.5 Reverse
Positive locking, mechanically actuated-hand-operated (rear)	Auto-locking (front) / positive locking, mechanically actuated-hand-operated (rear)	Standard	Hand-Operated
Front / rear hydraulic disc	Mechanically operated internal wet disk	Mechanically operated internal wet disk	Dual rear wheel mechanical drum / Hand operated, multi latch
-	-	-	-
Independent spring-over-shock, Single A-arm	Independent spring-over-shock, Single A-arm	Independent spring-over-shock, Single A-arm	Independent spring-over-shock, Single A-arm
Semi-independent coil-over-shock	2 hi-flotation, low pressure tyres	2 hi-flotation, low pressure tyres	2 hi-flotation, low pressure tyres
127 Front and 76 Rear	127 Front	127 Front and 76 Rear	127 Front
1525 x 2746 x 1108	1524 x 2768 x 1107	1525 x 2745 x 1107	1524 x 2665 x 1130
508	604	501	686
454	835	454	272
454	544	454	272
145 mm	162 mm	115 mm	195 mm
Polypropylene side panels and tailgate; steel floor and load guard	Polypropylene side panels and tailgate; steel floor and load guard	Polypropylene side panels and tailgate; steel floor and load guard	Polypropylene side panels and tailgate; steel floor and load guard
1141 x 1321 x 305	1143 x 1321 x 305	1142 x 1321 x 305	1143 x 1321 x 305
460	460	460	460
272	508	272	227
22x9.5-10, high-flotation turf 22 x 9.5-10 Terrahawk AT (All Terrain)	22x9.5-10, high-flotation turf 22 x 9.5-10 Terrahawk AT (All Terrain)	22x9.5-10, high-flotation turf	22x9.5-10, high-flotation turf
24x12-10, high flotation turf 24 x 10.5-10 Terrahawk AT (All Terrain)	24x12-10, high flotation turf 24 x 10.5-10 Terrahawk AT (All Terrain)	24x12-10, high flotation turf	24x12-10, high flotation turf
Green and Yellow	Green and Yellow	Green and Yellow	Green and Yellow
2	2	2	2



Models	XUV560E	XUV560E S4
Engine		
Type	570 cc, 2-cylinder, petrol	570 cc, 2-cylinder, petrol
Power kW (hp)	11.9 (16*)	11.9 (16*)
Cooling System	Air	Air
Fuel Tank, L	28	28
Power steering		
	No	No
4-wheel drive		
	Yes	Yes
Drive system		
Type	2-speed CVT with clutch enclosure	2-speed CVT with clutch enclosure
Ground Speed, km/h	0 – 42 Forward, 0 – 22 Reverse	0 – 42 Forward, 0 – 22 Reverse
Differential Lock	Limited slip (front) / positive locking, mechanically actuated – hand-operated (rear)	Limited slip (front) / positive locking, mechanically actuated – hand-operated (rear)
Brakes		
Base	Front/rear hydraulic disc w/twin piston calipers and stainless steel rotors	Front/rear hydraulic disc w/twin piston calipers and stainless steel rotors
Optional	–	–
Suspension		
Front	Independent; double A-arm w/ adjustable coil over shock	Independent; double A-arm w/ adjustable coil over shock
Rear	Independent; lower A-arm and upper camber link w/ adjustable coil cover shocks	Independent; lower A-arm and upper camber link w/ adjustable coil cover shocks
Travel, mm	203 front and 203 rear	203 front and 203 rear
Dimensions		
Dimensions (W × L × H), mm	1450 × 2920 × 1880	1450 x 3710 x 1880
Weight (Including Fluids), kg	571	683
Towing Capacity, kg	680	680
Payload Capacity, kg	408	590
Ground clearance		
	267 mm	236 mm
Deluxe cargo box		
Type / Material	High-density polyethylene copolymer composite	High-density polyethylene copolymer composite
Dimensions (L × W × D), mm	820 × 1209 × 297	820 x 1209 x 297
Volume, L	250	250
Capacity, kg	227	227
Tyres		
Front	26 × 8 – 14 Maxxis Big Horn 2.0, Radial 25 × 8 – 12 Terrahawk AT (All Terrain) 26x8-14 Maxxis Big Horn (Alloy)	26x8-14 Maxxis Big Horn 2.0, Radial 25x8-12 Terrahawk AT (All Terrain)
Rear	26 × 10 – 14 Maxxis Big Horn 2.0, Radial 25 × 10 – 12 Terrahawk AT (All Terrain) 26x8-14 Maxxis Big Horn (Alloy)	26x10-14 Maxxis Big Horn 2.0, Radial 25x10-12 Terrahawk AT (All Terrain)
Colours		
	Green and Yellow	Green and Yellow
Seating capacity		
	2	4

*The engine horsepower and torque information are provided by the engine manufacturer to be used for comparison purposes only. Actual operating horsepower and torque will be less. Refer to the engine manufacturer's website for additional information.



XUV590E/M



XUV590E/M S4



XUV825M S4



XUV855M S4

XUV590E/M	XUV590E/M S4	XUV825M S4	XUV855M S4
586 cc, 2-cylinder, petrol, Electronic Fuel Injection (EFI)	586 cc, 2-cylinder, petrol, EFI	810 cc, 3-cylinder petrol, EFI	854 cc, 3-cylinder, diesel
23.8 (32*)	23.8 (32*)	39 (52*)	17 (22.8*)
Liquid	Liquid	Liquid	Liquid
28	28	27.6	26.5
No/Standard	No/Standard	Standard	Standard
Yes	Yes	Yes	Yes
2-speed CVT with clutch enclosure 0 – 75 Forward, 0 – 35 Reverse	2-speed CVT with clutch enclosure 0 – 75 Forward, 0 – 35 Reverse	2-speed CVT with enclosed clutch 0 – 72 Forward, 0 – 42 Reverse	2-speed CVT with enclosed clutch 0 – 45 Forward, 0 – 30 Reverse
Limited slip (front) / positive locking, mechanically actuated – hand-operated (rear)	Limited slip (front) / positive locking, mechanically actuated – hand-operated (rear)	Auto-locking (front) / positive locking, mechanically actuated – hand-operated (rear)	Auto-locking (front) / positive locking, mechanically actuated – hand-operated (rear)
Front/rear hydraulic disc w/twin piston calipers and stainless steel rotors	Front/rear hydraulic disc w/twin piston calipers and stainless steel rotors	Front / rear hydraulic disc	Front / rear hydraulic disc
–	–	Park brake	Park brake
Independent; double A-arm w/ adjustable coil over shock	Independent; double A-arm w/ adjustable coil over shock	Fully independent dual A-arm with adjustable coils	Fully independent dual A-arm with adjustable coils
Independent; lower A-arm and upper camber link w/ adjustable coil cover shocks	Independent; lower A-arm and upper camber link w/ adjustable coil cover shocks	Fully independent dual A-arm with adjustable coils and sway bar	Fully independent dual A-arm with adjustable coils and sway bar
203 Front and 203 rear	203 Front and 203 rear	203 front and 229 rear	203 front and 229 rear
1450 × 2920 × 1880	1450 × 3710 × 1880	1600 × 3921 × 1903	1574 × 3937 × 1905
645/676	761/788	953	957
680	680	680	680
408	590	408	585
267 mm	236 mm	267 mm	280 mm
High-density polyethylene copolymer composite	High-density polyethylene copolymer composite	Deluxe (polypropylene side panels and tailgate; steel floor and load guard)	Deluxe (polypropylene side panels and tailgate; steel floor and load guard)
820 × 1209 × 297	820 × 1209 × 297	1143 × 1320 × 305	1143 × 1320 × 305
250	250	450	450
227	227	454	454
26 × 8 – 14 Maxxis Big Horn 2.0, Radial 25 × 8 – 12 Terrahawk AT (All Terrain) 26x8-14 Maxxis Big Horn (Alloy)**	26 × 8 – 14 Maxxis Big Horn 2.0, Radial 25 × 8 – 12 Terrahawk AT (All Terrain) 26x8-14 Maxxis Big Horn (Alloy)**	27x9-14, 6 PR Maxxis Big Horn XT Radial Steel or Alloy 27x9-14, 8 PR Predator HD Radial	27 × 9.00 – 14, 6 PR Big Horn Maxxis XT Steel
26 × 10 – 14 Maxxis Big Horn 2.0, Radial 25 × 10 – 12 Terrahawk AT (All Terrain) 26x8-14 Maxxis Big Horn (Alloy)**	26 × 10 – 14 Maxxis Big Horn 2.0, Radial 25 × 10 – 12 Terrahawk AT (All Terrain) 26x8-14 Maxxis Big Horn (Alloy)**	27x11-14, 6 PR Maxxis Big Horn XT Radial Steel or Alloy 27x11-14, 8PR Predator HD Radial	7 × 11.00 – 14, 6PR Big Horn Maxxis XT Steel
Green and Yellow, Camouflage**, Olive and Black	Green and Yellow, Camouflage**, Olive and Black	Green and Yellow, Camouflage, Olive and Black	Green and Yellow
2	4	4	4

** Only available in M specification



Models	XUV835E/M	XUV835R
Engine		
Type	810 cc, 3-cylinder petrol, EFI	810 cc, 3-cylinder petrol, EFI
Power kW (hp)	43 (54*)	43 (54*)
Cooling System	Liquid	Liquid
Fuel Tank, L	42.2	42.2
Power steering		
	No/Standard	Standard
4-wheel drive		
	Yes	Yes
Drive system		
Type	2-speed CVT with clutch enclosure, oil bath	2-speed CVT with clutch enclosure, oil bath
Ground Speed, km/h	0–72 Forward, 0–48 Reverse	0–72 Forward, 0–48 Reverse
Differential Lock	Positive locking, mechanically actuated (hand-operated)	Positive locking, mechanically actuated (hand-operated)
Brakes		
Base	Front/rear hydraulic disc with twin piston front calipers	Front/rear hydraulic disc with twin piston front calipers
Optional	Park break on M spec	Park brake
Suspension		
Front	Fully independent dual A-arm with adjustable coils	Fully independent dual A-Arm with adjustable coils
Rear	Fully independent dual A-arm with adjustable coils and sway bar	Fully independent dual A-Arm with adjustable coils and sway bar
Travel, mm	200.7 front and 231.14 rear	200.7 front and 231.14 rear
Dimensions		
Dimensions (W × L × H), mm	1618 × 3228 × 1981**	1618 × 3228 × 1981
Weight (Including Fluids), kg	861 (835E open station), 868 (835M open station), 979 (835M Cab), 1022 (835M HVAC)	1050
Towing Capacity, kg	907	907
Payload Capacity, kg	681 (835E open station), 674 (835M open station), 563 (835M Cab), 520 (835M HVAC)	492
Ground clearance		
	284 mm	284 mm
Deluxe cargo box		
Type / Material	Deluxe (polypropylene side panels and tailgate; steel floor and load guard)	Deluxe (polypropylene side panels and tailgate; steel floor and load guard)
Dimensions (L × W × D), mm	1143 × 1320 × 304.8	1143 × 1320 × 304.8
Volume, L	460	460
Capacity, kg	454	454
Tyres		
Front	25 × 9–12 Terrahawk AT (All Terrain) 27 × 9–R14 Maxxis Big Horn Radials (Extreme Terrain) 27x9-14, 8 PR Predator HD Radial	25 × 9–12 Terrahawk AT (All Terrain) 27 × 9–R14 Maxxis Big Horn Radials (Extreme Terrain)
Rear	25 × 11–12 Terrahawk AT (all terrain) 27 × 11–R14 Maxxis Big Horn Radials (Extreme Terrain) 27x11-14, 8PR Predator HD Radial	25 × 11–12 Terrahawk AT (all terrain) 27 × 11–R14 Maxxis Big Horn Radials (Extreme Terrain)
Colours		
	Green and Yellow, Camouflage, Olive and Black	Green and Yellow, Camouflage, Olive and Black
Seating capacity		
	2	2

*The engine horsepower and torque information are provided by the engine manufacturer to be used for comparison purposes only. Actual operating horsepower and torque will be less. Refer to the engine manufacturer's website for additional information.

**With Cab Model



XUV865E/M



XUV865R

854 cc, 3-cylinder diesel	854 cc, 3-cylinder diesel
17 (22.8*)	17 (22.8*)
Liquid	Liquid
42.4	42.4
No/Standard	Standard
Yes	Yes
2-speed CVT with clutch enclosure, oil bath	2-speed CVT with clutch enclosure, oil bath
0 – 45 Forward, 0 – 30 Reverse	0 – 45 Forward, 0 – 30 Reverse
Positive locking, mechanically actuated (hand-operated)	Positive locking, mechanically actuated (hand-operated)
Front/rear hydraulic disc with twin piston front calipers	Front/rear hydraulic disc with twin piston front calipers
Park break on M spec	Park brake
Fully independent dual A-arm with adjustable coils	Fully independent dual A-arm with adjustable coils
Fully independent dual A-arm with adjustable coils and sway bar	Fully independent dual A-arm with adjustable coils and sway bar
200.7 front and 231.14 rear	200.7 front and 231.14 rear
1617 × 3228 × 1981**	1763 × 3228 × 1988
862 (865E open station), 877 (865M open station), 988 (865M Cab), 1035 (865M HVAC)	1058
907	907
680 (865E open station), 663 (865M open station), 554 (865M Cab), 507 (865M HVAC)	484
284 mm	284 mm
Deluxe (polypropylene side panels and tailgate; steel floor and load guard)	Deluxe (polypropylene side panels and tailgate; steel floor and load guard)
1143 × 1320 × 304.8	1143 × 1320 × 304.8
460	460
454	454
25 × 9 – 12 Terrahawk AT (All Terrain) 27 × 9 – R14 Maxxis Big Horn Radials (Extreme Terrain) 27x9-14, 8 PR Predator HD Radial	25 × 9 – 12 Terrahawk AT (All Terrain) 27 × 9 – R14 Maxxis Big Horn Radials (Extreme Terrain)
25 × 11 – 12 Terrahawk AT (all terrain) 27 × 11 – R14 Maxxis Big Horn Radials (Extreme Terrain) 27x11-14, 8 PR Predator HD Radial	25 × 11 – 12 Terrahawk AT (all terrain) 27 × 11 – R14 Maxxis Big Horn Radials (Extreme Terrain)
Green and Yellow, Camouflage, Olive and Black	Green and Yellow, Camouflage, Olive and Black
2	2



JOHN DEERE

This literature has been compiled for worldwide circulation. While general information, pictures and descriptions are provided, some illustrations and text may include finance, credit, insurance, product options and accessories NOT AVAILABLE in all countries or regions. In some countries, products and accessories may require modifications or additions to ensure compliance with the local regulations of those countries. PLEASE CONTACT YOUR LOCAL DEALER FOR DETAILS. John Deere reserves the right to change specification and design of all products described in this literature without notice. John Deere's green and yellow colour scheme, the leaping deer symbol, and JOHN DEERE are trademarks of Deere & Company. All photography and illustrations contained herein are copyrighted assets of Deere & Company.

JohnDeere.com.au
JohnDeere.co.nz