

# HYDRAULIC EXCAVATORS



JOHN DEERE

E130 / E140LC



**RELIABLE AND  
AFFORDABLE**



+



*HIGHLY  
PRODUCTIVE*

*FUEL  
EFFICIENT*



Front guard shown on machine is not available from John Deere.

*MAXIMISE PRODUCTIVITY.*

**COMPROMISE  
NOTHING.**





## ***MOVE MORE, BURN LESS.***

Combining low fuel-consumption rates with fast cycle times, the reliable, affordable E130 and E140LC move an impressive amount of material per liter of fuel. Field-proven John Deere PowerTech™ engines deliver superb fuel efficiency and are fully integrated with our Intelligent Hydraulic (JD-IHC) system to provide fast, smooth response. These excavators are built tough, with enhanced arms and booms, a robust electrical system, and a host of other features designed to diminish downtime. And they're comfortable, with a spacious cab, a large monitor, an efficient automatic temperature control (ATC) system, intuitive controls, and even a leather air-ride seat. You'll find what you need to boost productivity — at a price you can appreciate — in the E130 and E140LC.

# **BUILT FOR THE LONG HAUL**

## **RUGGED AND RELIABLE.**

Jobsite conditions can be tough, but our E130 and E140LC are even tougher. These excavators are built rock solid using state-of-the-art tools and techniques by a quality-conscious workforce in a John Deere manufacturing plant. When you know how they're built, you'll see what they can do for your operation.

### **Tough enough**

Robust fronts including rugged arms and booms deliver the durability you need to tackle your toughest applications.

### **Strength in the details**

Rigid side shields and sheet metal resist dents. Steel ribs help safeguard the arm when curling the bucket, and steel collars protect vulnerable grease points in tough environments.

### **Simply reliable**

Solid-state electronics and uncomplicated electrical architecture minimise the number of wires, mechanical relays, and connections needed, for reliability and easy diagnosis of any issues.

### **Sealed-switch module**

Sealed touch pad keeps out dust, moisture, and debris, and allows for quick access to machine features and functions. Eliminating traditional rocker switches means there are no unsealed connections and moving parts, for long wear life.

### **Durable diesels**

Reliable John Deere PowerTech diesels feature replaceable wet-sleeve cylinder liners that resist wear and evenly dissipate heat. Integration with our Intelligent Hydraulic (JD-IHC) system enables exceptional hydraulic tuning, for fast truck loading and fine-finish jobs such as sloping and trenching.



## **STREAMLINED ELECTRICAL SYSTEM**





## ***FIT IN MORE WORK***

### ***STEP IT UP.***

Whether you're moving up from a backhoe as you build your business or adding a versatile taskmaster to your fleet — the highly capable E130 and E140LC fit the way you work. Boasting impressive dig forces and lift capacities, they can tackle a wide variety of tasks, including digging footings, loading trucks, installing utilities, and more. Four power modes and three work modes deliver the right power and response for the work at hand. Auto pressure-boost provides extra hydraulic power when needed, while additional auxiliary hydraulic capability and expanded bucket options help you find the right tool.



## AUTO PRESSURE-BOOST FOR MORE MUSCLE

### **Low-effort foot pedals**

Foot pedals are ergonomically designed for quick machine travel and direction changes. Optional electrohydraulic foot pedal is fully integrated with the hydraulics and optional auxiliary plumbing, helping conquer tough jobs such as breaking concrete.

### **Accelerate work cycles**

Generous flow, arm force, and swing torque help speed work cycles. So you can do your best to stay on schedule or ahead of the weather.

### **High hydraulic flow**

Want to add a hammer or other attachment? High-pressure, high-flow auxiliary hydraulic packages meet the need.

### **Get a boost**

The intelligent automatic pressure-boost system senses when the job demands extra effort and delivers the additional force you need.

### **Stay on track**

On the E140LC model, one standard track guide on each side (two optional) helps maintain traction and stability in challenging conditions and on rocky or soft terrain.

### **Power and work modes**

Four power modes (Low, Economy, Standard, and High) easily adapt to changing job demands, so you can find the right balance of productivity and fuel economy. Three work modes — Lift, Dig, and Hammer/Bidirectional Auxiliary — let you choose the proper hydraulic response for specific applications and attachments.

### **Make a bucket list**

Multiple bucket options featuring different capacities and widths that can be tailored to match light- and moderate-duty applications are available.

# NICE TOUCHES

## TAP INTO MORE PRODUCTIVITY.

Boasting ergonomic automotive-quality styling, the quiet, spacious cab features a large monitor for a convenient view of machine functions. Operators will also experience generous legroom, expansive visibility, an automatic temperature control (ATC) system, and a host of other creature comforts, including a premium leather seat and standard Bluetooth® radio. Plus the cab is ROPS certified for operator protection and safety.



## EXPANSIVE VISIBILITY

### In the know on the go

Easy-to-read monitor displays alerts and detailed diagnostic information to help address machine issues before they result in downtime and costly repairs. New USB charging ports help keep digital devices powered.

### Feel right at home

ATC system with multiple vents helps keep the glass clear and the cab comfortable.

### Easy to operate

Eye-catching automotive-quality styling brings efficient productivity within easy reach. Joysticks, travel levers, and foot pedals are optimally positioned for simple, intuitive operation.

### Daylong comfort

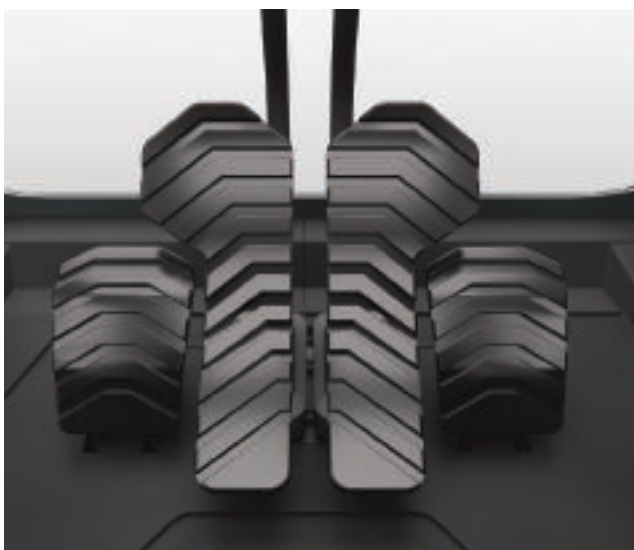
Air-suspension leather seat with wide, padded armrests is fully adjustable to accommodate a variety of operators.

### Fingertip control

Short-throw pilot levers deliver smooth and predictable low-effort control of digging functions. Rotary dial puts engine-speed control at your fingertips.

### Sit back and relax

Spacious area behind the seat provides storage space and additional room to recline.







***ROOM WITH A VIEW.***

---

# READY TO GO TO WORK.

## Low maintenance, high uptime

Grouped service points make it easy to perform most daily checks, greasing, and filter changes, so you can get to work quickly. Extended 500- and 4,000-hour engine oil- and hydraulic oil-service intervals minimise downtime for routine maintenance.

## JDLink™ machine monitoring

JDLink telematics provides real-time utilisation data and alerts to help you maximise productivity and efficiency while minimising downtime. Remote diagnostics enable your dealer to monitor your machine's health and react quickly to alerts, often before you even know there is a problem.

## Light things up

Optional premium LED lights help bring jobsites into focus after dark or in low-light conditions. Electrical architecture is streamlined for optimal wear life.

## Save precious fuel

Auto-idle automatically reduces engine speed when hydraulics aren't in use, saving fuel. Automatic turbo cool-down extends idle time before shutdown, to maximise component life.

## Clean and clear

Side-by-side, easy-to-clean radiators accommodate various fluids, for optimal cooling efficiency. Air-conditioning condenser cooler swings out to allow easy access for cleaning the condenser core.

## Here for you

Parts and support when you need them are always available through a highly trained national dealer network and supported 24/7 by the in-country John Deere parts distribution centre.

## Onboard diagnostics

Large monitor displays alerts and detailed diagnostic information to help you address issues immediately before they result in costly repairs and downtime.







# E130 SPECIFICATIONS

<b>Engine</b>		<b>E130</b>	
Manufacturer and Model	John Deere PowerTech E 4045		
Non-Road Emission Standard	R96 Stage IIIA / China Stage 3 / similar to EPA Tier 3/EU Stage IIIA		
Gross Rated Power (SAE J1995 and ISO 3046)	80 kW at 1,800 rpm		
Net Rated Power	79 kW at 1,800 rpm		
Maximum Gross Torque (SAE J1995 and ISO 3046)	445 Nm at 1,400 rpm		
Cylinders	4		
Piston Displacement	4.5 L		
Off-Level Capacity	70% (35 deg.)		
<b>Cooling</b>			
Type	Cool-on-demand, electronically controlled, variable-speed, suction-type cooling fan		
<b>Hydraulics</b>			
Designed for high digging capacity, productivity, and operating precision, and excellent fuel economy; summation system, boom, arm, and swing priority, and boom, arm, and bucket regeneration provide optimum performance			
<b>Main Pump</b>		Tandem variable-displacement, electrohydraulic (EH)-controlled axial-piston pumps	
Maximum Discharge Flow	2 x 126 L/m (2 x 70 cc/rev at 100% efficiency at 1,800 rpm rated engine)		
<b>Pilot Pump</b>		Gear pump	
Maximum Discharge Flow	1 x 18 L/m (1 x 10 cc/rev at 100% efficiency at 1,800 rpm rated engine)		
<b>System Operating Pressure</b>			
Circuits			
Implement	32.4 MPa		
Travel	35.3 MPa		
Swing	27.0 MPa		
Pilot	3.9 MPa		
Auxiliary	Preset to 21.0 MPa 1-way mode / 32.4 MPa 2-way mode		
Low-Flow Auxiliary	Preset to 21.0 MPa		
Pressure Boost	35.3 MPa		
<b>Controls</b>		Hydraulic pilot controls with hydraulic-enable lever	
<b>Travel System</b>			
Drive Method	Fully hydrostatic type		
Travel Motor	2 speed axial-piston motor with spring-applied, hydraulic-release brake		
Reduction System	Planetary gear reduction		
Maximum Drawbar Pull	139 kN		
Travel Speeds			
High	5.8 km/h		
Low	3.1 km/h		
Gradeability	35 deg.		
Parking Brake	Wet, multi disc		
<b>Cylinders</b>			
	<i>Bore Diameter</i>	<i>Rod Diameter</i>	<i>Stroke</i>
Boom (2)	105 mm	70 mm	979 mm
Arm (1)	115 mm	80 mm	1195 mm
Bucket (1)	100 mm	70 mm	875 mm
<b>Swing System</b>			
Swing Motor	Axial-piston motor with spring-applied, hydraulic-release brake		
Swing Reduction	Planetary gear reduction		
Swing Gear Lubrication	Grease bath		
Swing Brake	Wet, multi disc		
Swing Speed	12.5 rpm		
Swing Torque	36 kNm		

# E130

## SPECIFICATIONS



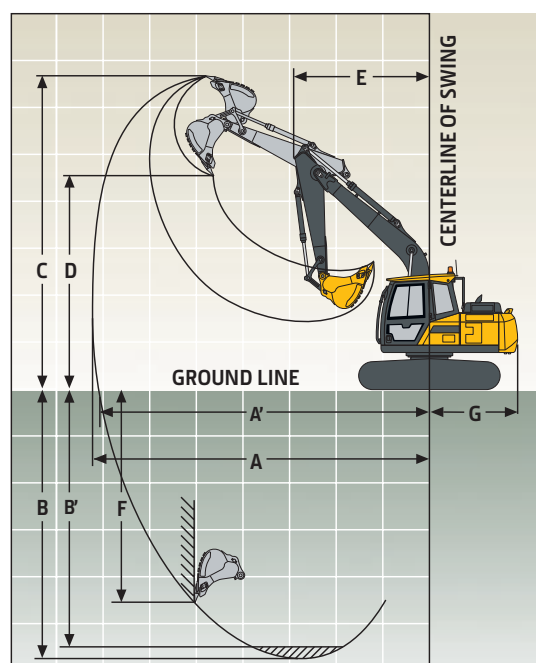
Undercarriage		E130
Includes lubricated rollers, idlers, track adjusters (with shock-absorbing spring), and greased and sealed track chain with triple-grouser shoes		
Center Frame	X-leg type	
Track Frame	Pentagonal box type	
Shoes (each side)	43	
Rollers (each side)		
Carrier	1	
Track	6	
Track Guides (each side)	1 (optional)	
Shoe Width, Triple Grousers		
Standard	500 mm	
Optional	600 mm	

Weights and Ground Pressure		
<i>With 4.6-m Boom and 2.52-m Arm</i>		
Bucket	0.53-m <sup>3</sup> General Purpose (GP)	
Triple-Grouser Shoe Width	500 mm	600 mm
Operating Weight	13 600 kg	13 900 kg
Ground Pressure	44.3 kPa	37.3 kPa
Standard Counterweight	2100 kg	

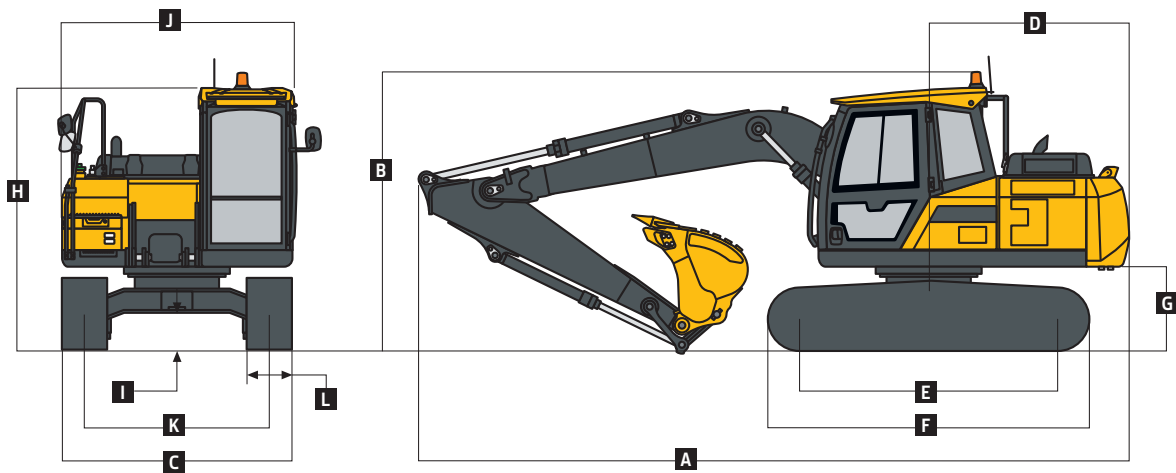
Electrical System	
Number of Batteries (24-volt system)	2 – 12 volt
Battery Capacity	950 CCA
Reserve Capacity	165 min.
Alternator Rating	80 amp

Serviceability	
Refill Capacities (standard fill)	
Fuel Tank	240 L
Engine Coolant	18.2 L
Engine Oil	14.7 L
Swing Mechanism	1.8 L
Travel Final Device (each side)	2.2 L
Hydraulic System	185 L
Hydraulic Tank	125 L

Operating Dimensions		<i>With 4.6-m Boom and 2.52-m Arm</i>
Tool Force		
Bucket	101 kN	
Arm	70 kN	
A Maximum Reach	8331 mm	
A' Maximum Reach at Ground Level	8143 mm	
B Maximum Digging Depth	5719 mm	
B' Maximum Digging Depth at 2.44-m Level Bottom	5509 mm	
C Maximum Cutting Height	8590 mm	
D Maximum Loading Height	6058 mm	
E Minimum Slew Radius	2626 mm	
F Maximum Vertical Wall Digging Depth	4353 mm	
G Tail-Swing Radius	2236 mm	



Overall Dimensions	E130
	<i>With 4.6-m Boom and 2.52-m Arm</i>
A Overall Length	7632 mm
B Overall Height (over boom hoses)	2733 mm
C Overall Width (over tracks)	2490 mm
D Tail Length	2151 mm
D <sup>1</sup> Tail-Swing Radius	2236 mm
E Tumbler Distance	2780 mm
F Overall Length of Crawler	3501 mm
G Counterweight Clearance	888 mm
H Overall Height (to top of cab)	2855 mm
I Ground Clearance	434 mm
J Overall Width of Upperstructure	2500 mm
K Track Gauge	1990 mm
L Shoe Width	500 mm



**E130 Machine Lift Capacities**

**Boldface type** indicates stability-limited capacity; lightface type indicates hydraulically limited capacities, in kg. Lifting capacity at the arm end without bucket; machine equipped with 4.6-m boom, 2.52-m arm, no bucket, 500-mm triple-grouser shoes, standard carriage, and 2100-kg counterweight; and situated on firm, uniform supporting surface. Total load includes weight of cables, hook, etc. Figures do not exceed 87 percent of hydraulic capacities or 75 percent of weight needed to tip machine. All capacities are based on ISO 10567.

LOAD POINT HEIGHT	HORIZONTAL DISTANCE FROM CENTERLINE OF ROTATION										Value (m)		
	1.5 m		3.0 m		4.5 m		6.0 m		Maximun Reach				
	Over Front	Over Side	Over Front	Over Side	Over Front	Over Side	Over Front	Over Side	Over Front	Over Side			
6.0 m					3480	3480					3060	2750	5.39
4.5 m					3670	3670	3220	2350	2820	2070	6.37		
3.0 m			5990	5990	4400	<b>3480</b>	3080	2230	2460	1780	6.89		
1.5 m			8340	<b>5820</b>	4590	3220	2970	2130	2330	1670	7.05		
Ground Line			6850	<b>5500</b>	4390	3040	2880	2050	2370	1690	6.89		
-1.5 m	4760	4760	8570	<b>5480</b>	4320	2990	2860	2030	2640	1880	6.37		
-3.0 m	9270	9270	7340	<b>5610</b>	4390	3050			3400	2410	5.40		

**E130 Bucket Selection Guide**

Counterweight					2.1 mt
Boom					4.6-m STD
Arm					2.52-m STD
	<b>Width*</b>	<b>Capacity</b>	<b>Weight**</b>		
<b>Pin-On (no quick-coupler)</b>					
General Purpose (GP)	910 mm	0.53 m <sup>3</sup>	525 kg	A	
	1030 mm	0.63 m <sup>3</sup>	560 kg	B	
Heavy Duty (HD)	870 mm	0.50 m <sup>3</sup>	532 kg	A	
	1000 mm	0.60 m <sup>3</sup>	568 kg	A	

\*Cutting-edge width.

\*\*Includes standard teeth, side accessories, and pins.

Contact your John Deere dealer for optimum bucket and attachment selections. These recommendations are for general conditions and average use. Does not include optional equipment such as thumbs or couplers. Larger buckets may be possible when using light materials, for flat and level operations, less compacted materials, and volume-loading applications such as mass-excavation applications in ideal conditions. Smaller buckets are recommended for adverse conditions such as off-level applications, rocks, and uneven surfaces. Bucket capacity indicated is SAE heaped.

**Maximum Material Density**

A = 2100 kg/m<sup>3</sup>

B = 1800 kg/m<sup>3</sup>

C = 1700 kg/m<sup>3</sup>

D = 1500 kg/m<sup>3</sup>

E = 1200 kg/m<sup>3</sup>

X = Not recommended

**General-Purpose Buckets (GP):**

General-Purpose buckets are provided as standard equipment and engineered to meet or exceed customer expectations in light-duty applications. These buckets are designed to dig and excavate soft to medium materials such as earth loam, sand, and fine gravel.

**Heavy-Duty Buckets (HD):**

Heavy-Duty buckets are provided as optional equipment and engineered to meet or exceed customer expectations in moderate-duty or mixed applications. These buckets are designed to dig and excavate in dry or wet clay, compacted soils, and well-blasted rock applications.



# E140 LC SPECIFICATIONS

<b>Engine</b>		<b>E140LC</b>	
Manufacturer and Model	John Deere PowerTech E 4045		
Non-Road Emission Standard	R96 Stage IIIA / China Stage 3 / similar to EPA Tier 3/EU Stage IIIA		
Gross Rated Power (SAE J1995 and ISO 3046)	85 kW at 1,800 rpm		
Net Rated Power	84 kW at 1,800 rpm		
Maximum Gross Torque (SAE J1995 and ISO 3046)	505 Nm at 1,400 rpm		
Cylinders	4		
Piston Displacement	4.5 L		
Off-Level Capacity	70% (35 deg.)		
<b>Cooling</b>			
Type	Cool-on-demand, electronically controlled, variable-speed, suction-type cooling fan		
<b>Hydraulics</b>			
Designed for high digging capacity, productivity, and operating precision, and excellent fuel economy; summation system, boom, arm, and swing priority, and boom, arm, and bucket regeneration provide optimum performance			
<b>Main Pump</b>		Tandem variable-displacement, electrohydraulic (EH)-controlled axial-piston pumps	
Maximum Discharge Flow	2 x 126 L/m (2 x 70 cc/rev at 100% efficiency at 1,800 rpm rated engine)		
<b>Pilot Pump</b>		Gear pump	
Maximum Discharge Flow	1 x 18 L/m (1 x 10 cc/rev at 100% efficiency at 1,800 rpm rated engine)		
<b>System Operating Pressure</b>			
Circuits			
Implement	32.4 MPa		
Travel	35.3 MPa		
Swing	27.0 MPa		
Pilot	3.9 MPa		
Auxiliary	Preset to 21.0 MPa 1-way mode / 32.4 MPa 2-way mode		
Low-Flow Auxiliary	Preset to 21.0 MPa		
Pressure Boost	35.3 MPa		
<b>Controls</b>		Hydraulic pilot controls with hydraulic-enable lever	
<b>Travel System</b>			
Drive Method	Fully hydrostatic type		
Travel Motor	2 speed axial-piston motor with spring-applied, hydraulic-release brake		
Reduction System	Planetary gear reduction		
Maximum Drawbar Pull	139 kN		
Travel Speeds			
High	5.8 km/h		
Low	3.1 km/h		
Gradeability	35 deg.		
Parking Brake	Wet, multi disc		
<b>Cylinders</b>			
	<i>Bore Diameter</i>	<i>Rod Diameter</i>	<i>Stroke</i>
Boom (2)	105 mm	70 mm	979 mm
Arm (1)	115 mm	80 mm	1195 mm
Bucket (1)	100 mm	70 mm	875 mm
<b>Swing System</b>			
Swing Motor	Axial-piston motor with spring-applied, hydraulic-release brake		
Swing Reduction	Planetary gear reduction		
Swing Gear Lubrication	Grease bath		
Swing Brake	Wet, multi disc		
Swing Speed	12.5 rpm		
Swing Torque	36 kNm		



# E140 LC SPECIFICATIONS



Undercarriage – LC	E140LC
Includes lubricated rollers, idlers, track adjusters (with shock-absorbing spring), and greased and sealed track chain with triple-grouser shoes	
Center Frame	X-leg type
Track Frame	Pentagonal box type
Shoes (each side)	45
Rollers (each side)	
Carrier	2
Track	7
Track Guides (each side)	
Standard	1
Optional	2
Shoe Width, Triple Grousers	
Standard	500 mm
Optional	600 mm

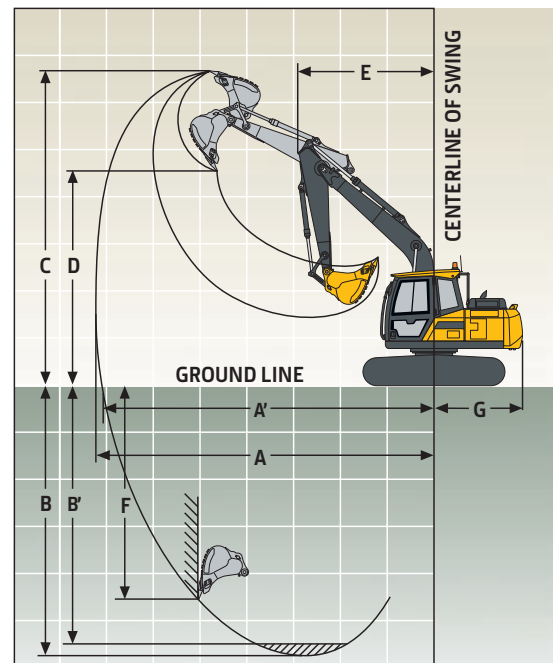
Weights and Ground Pressure	
<i>With 4.6-m Boom and 2.52-m Arm</i>	
Bucket	0.63-m <sup>3</sup> General Purpose (GP)
Triple-Grouser Shoe Width	500 mm      600 mm
Operating Weight	13 800 kg      14 000 kg
Ground Pressure	42.2 kPa      35.8 kPa
Standard Counterweight	2100 kg

Electrical System	
Number of Batteries (24-volt system)	2 – 12 volt
Battery Capacity	950 CCA
Reserve Capacity	165 min.
Alternator Rating	80 amp

Serviceability	
<b>Refill Capacities (standard fill)</b>	
Fuel Tank	240 L
Engine Coolant	18.2 L
Engine Oil	14.7 L
Swing Mechanism	1.8 L
Travel Final Drive (each side)	2.2 L
Hydraulic System	185 L
Hydraulic Tank	125 L

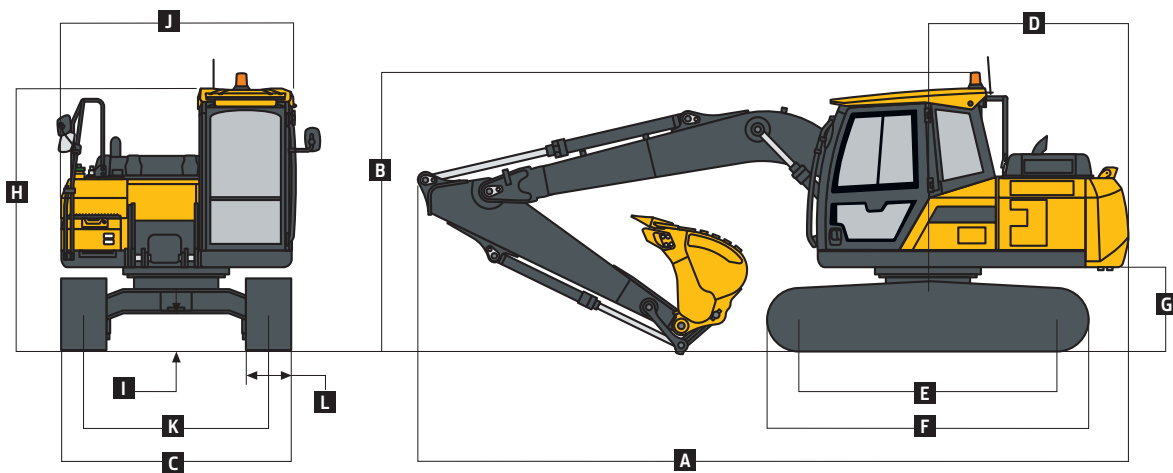
## Operating Dimensions

<i>With 4.6-m Boom and 2.52-m Arm</i>	
<b>Tool Force</b>	
Bucket	101 kN
Arm	70 kN
<b>A</b> Maximum Reach	8331 mm
<b>A'</b> Maximum Reach at Ground Level	8143 mm
<b>B</b> Maximum Digging Depth	5719 mm
<b>B'</b> Maximum Digging Depth at 2.44-m Level Bottom	5509 mm
<b>C</b> Maximum Cutting Height	8590 mm
<b>D</b> Maximum Loading Height	6058 mm
<b>E</b> Minimum Slew Radius	2626 mm
<b>F</b> Maximum Vertical Wall Digging Depth	4353 mm
<b>G</b> Tail-Swing Radius	2236 mm



# E140LC

Overall Dimensions	E140LC
	<i>With 4.6-m Boom and 2.52-m Arm</i>
A Overall Length	7632 mm
B Overall Height (over boom hoses)	2733 mm
C Overall Width (over tracks)	2490 mm
D Tail Length	2151 mm
D <sup>l</sup> Tail-Swing Radius	2236 mm
E Tumbler Distance	2950 mm
F Overall Length of Crawler	3671 mm
G Counterweight Clearance	888 mm
H Overall Height (to top of cab)	2855 mm
I Ground Clearance	434 mm
J Overall Width of Upperstructure	2500 mm
K Track Gauge	1990 mm
L Shoe Width	500 mm



## E140LC Machine Lift Capacities

**Boldface type** indicates stability-limited capacity; lightface type indicates hydraulically limited capacities, in kg. Lifting capacity at the arm end without bucket; machine equipped with 4.6-m boom, 2.52-m arm, no bucket, 500-mm triple-grouser shoes, long carriage, and 2100-kg counterweight; and situated on firm, uniform supporting surface. Total load includes weight of cables, hook, etc. Figures do not exceed 87 percent of hydraulic capacities or 75 percent of weight needed to tip machine. All capacities are based on ISO 10567.

LOAD POINT HEIGHT	HORIZONTAL DISTANCE FROM CENTERLINE OF ROTATION										Value (m)
	1.5 m		3.0 m		4.5 m		6.0 m		Maximun Reach		
	Over Front	Over Side	Over Front	Over Side	Over Front	Over Side	Over Front	Over Side	Over Front	Over Side	
6.0 m					3480	3480			3060	2810	<b>5.39</b>
4.5 m					3670	3670	<b>3540</b>	<b>2400</b>	2820	2120	<b>6.37</b>
3.0 m			5990	5990	4400	<b>3560</b>	<b>3390</b>	<b>2280</b>	2710	1820	<b>6.89</b>
1.5 m			8340	<b>5950</b>	<b>5090</b>	<b>3300</b>	<b>3280</b>	<b>2180</b>	<b>2570</b>	1710	<b>7.05</b>
Ground Line			6850	<b>5630</b>	<b>4890</b>	<b>3120</b>	<b>3190</b>	<b>2100</b>	<b>2620</b>	1740	<b>6.89</b>
-1.5 m	4760	4760	8730	<b>5610</b>	<b>4820</b>	<b>3060</b>	<b>3160</b>	<b>2080</b>	<b>2920</b>	1930	<b>6.37</b>
-3.0 m	9270	9270	7340	<b>5740</b>	<b>4890</b>	<b>3120</b>			<b>3760</b>	2470	<b>5.40</b>

## E140LC Bucket Selection Guide

Counterweight	2.1 mt
Boom	4.6-m STD
Arm	2.52-m STD

	Width*	Capacity	Weight**	
<b>Pin-On (no quick-coupler)</b>				
General Purpose (GP)	910 mm	0.53 m <sup>3</sup>	525 kg	A
	1030 mm	0.63 m <sup>3</sup>	560 kg	A
Heavy Duty (HD)	870 mm	0.50 m <sup>3</sup>	532 kg	A
	1000 mm	0.60 m <sup>3</sup>	568 kg	A

\*Cutting-edge width.

\*\*Includes standard teeth, side accessories, and pins.

Contact your John Deere dealer for optimum bucket and attachment selections. These recommendations are for general conditions and average use. Does not include optional equipment such as thumbs or couplers. Larger buckets may be possible when using light materials, for flat and level operations, less compacted materials, and volume-loading applications such as mass-excavation applications in ideal conditions. Smaller buckets are recommended for adverse conditions such as off-level applications, rocks, and uneven surfaces. Bucket capacity indicated is SAE heaped.

### Maximum Material Density

A = 2100 kg/m<sup>3</sup>

B = 1800 kg/m<sup>3</sup>

C = 1700 kg/m<sup>3</sup>

D = 1500 kg/m<sup>3</sup>

E = 1200 kg/m<sup>3</sup>

X = Not recommended

### General-Purpose Buckets (GP):

General-Purpose buckets are provided as standard equipment and engineered to meet or exceed customer expectations in light-duty applications. These buckets are designed to dig and excavate soft to medium materials such as earth loam, sand, and fine gravel.

### Heavy-Duty Buckets (HD):

Heavy-Duty buckets are provided as optional equipment and engineered to meet or exceed customer expectations in moderate-duty or mixed applications. These buckets are designed to dig and excavate in dry or wet clay, compacted soils, and well-blasted rock applications.

# Additional equipment

Key: ● Standard ▲ Optional or special

See your John Deere dealer for further information.

E130	E140LC	Engine
●	●	Programmable auto-idle system
●	●	Automatic belt-tension device
●	●	Pressurized coolant reservoir
●	●	3-stage, dual-element, dry-type air filter with integral precleaner
▲	▲	Additional air-intake precleaner
●	●	Electronic engine control
●	●	Enclosed cooling fan
●	●	Side-by-side arrangement of coolers
●	●	Swing-out air-conditioning condenser
▲	▲	Separate removable trash screen
●	●	Engine coolant to -40 deg. C
●	●	Turbo cool-down mode
●	●	Remote-mounted dual fuel filters with water separator and drain
●	●	Remote-mounted severe-duty fuel filter with water separator and drain
●	●	Fuel system shutoff for filters
●	●	Remote fuel-tank drain
▲	▲	Fuel filter heater
▲	▲	Onboard refueling pump (50 L/m) with auto shutoff and run-dry prevention
●	●	Remote-mounted full-flow engine oil filter
●	●	500-hour engine-oil-change interval
●	●	Turbocharger with charge-air cooler
●	●	Cool-on-demand electronically controlled variable-speed fan (destination specific)
●	●	70% (35 deg.) off-level capability
●	●	Glow-plug cold-start aid
●	●	Lockable fuel cap provision
●	●	Fuel overfill indicator in filler neck
●	●	Fuel tank cleanout access cover
●	●	Ultra-low-sulfur-compatible fuel system
		<b>Hydraulic System</b>
●	●	Electrohydraulic-controlled hydraulic pump
●	●	Auto pressure-boost
●	●	Constant pressure-boost in lift mode
●	●	4,000-hour hydraulic-oil-change interval
●	●	Hydraulic filter-restriction indicator
●	●	Reduced-drift valve for boom down
●	●	Reduced-drift valve for arm in
●	●	Auxiliary hydraulic valve section
▲	▲	Auxiliary pilot and electric controls
▲	▲	Auxiliary hydraulic-flow adjustments through monitor
▲	▲	Proportional low-flow auxiliary
●	●	Boom and arm bucket-flow regeneration
●	●	Swing anti-rebound valves
●	●	Spring-applied, hydraulically released automatic swing brake
●	●	Pilot filter
		<b>Undercarriage</b>
●	●	Planetary drive with axial-piston motors
●	●	Propel motor shields
●	●	Spring-applied, hydraulically released automatic parking brake
●	●	Track guides, front idler only
▲	●	Track guides, front idler and 1 additional
▲	▲	Track guides, front idler and 2 additional

E130	E140LC	Undercarriage (continued)
●	●	2-speed propel with automatic shift
●	●	Upper carrier rollers (1)
●	●	Upper carrier rollers (2)
●	●	Track rollers (6)
●	●	Track rollers (7)
●	●	Sealed and lubricated track chain
●	●	Triple-grouser shoes, 500 mm
▲	▲	Triple-grouser shoes, 600 mm
▲	▲	General-duty (GD) undercarriage frame guard
▲	▲	Tracks with bolt-on rubber pad provision
		<b>Upper Structure</b>
●	●	Right- and left-hand mirrors
▲	▲	Rearview camera
●	●	Integrated anti-skid plates on upper platform and steps
●	●	Vandal locks with common key: Cab door / Service doors / Toolbox
●	●	Air-intake debris screen in side doors
		<b>Operator's Station</b>
●	●	Auto climate control and pressurized cab
●	●	Built-in operator's manual storage
●	●	Easy-clean floor mat
●	●	Front upper laminated glass with easy stowage into roof space
●	●	Sliding openable upper door glass
●	●	Front (park-off-glass) windshield wiper with intermittent speeds and wash
▲	▲	Lower windshield wiper with intermittent speeds and wash
●	●	Horn
●	●	Hydraulic shutoff lever, all controls
●	●	Interior light
●	●	Sealed-switch module (SSM) with keyless start
●	●	Machine Information Center (MIC)
●	●	Mode selector (via throttle): Power modes (3) + High Power mode in all speeds / Travel speeds (2 with auto shift) / Work modes (3)
●	●	Multifunction, 5-in. color screen with: Advanced machine diagnostics with multi-language capability, theft-deterrent system, maintenance tracking, digital display, alarm indicator, alternator, low charge, auto-idle, auxiliary hydraulics, clock, engine air-cleaner restriction, engine coolant temperature, engine oil pressure, engine preheat, engine rpm, fault-code alert, fuel level, fuel-rate display, water in fuel, hour meter, work-mode indicator, travel alarm (option), travel-mode indicator, hydraulic oil-filter restriction, hydraulic oil temperature, pressure boost, seat-belt warning, telematics, camera (option), and HVAC status
▲	▲	Travel alarm with cancel switch
▲	▲	Auxiliary hydraulic control switches in right and left control levers
▲	▲	Rear camera toggle switch in left control lever
●	●	Tinted glass

E130	E140LC	Operator's Station (continued)
▲	▲	Transparent tinted overhead hatch
●	●	Steel overhead hatch
●	●	Rollover Protection Structure (ROPS)-certified cab (conforms to ISO 12117-2)
●	●	Safety bars on right-hand glass
▲	▲	Falling Object Protection Structure (FOPS Level-II)-certified guards, top and front
▲	▲	Front lower window guard
▲	▲	Front window sunshade
▲	▲	Hatch sunshade
●	●	Coat hook
●	●	Fire extinguisher-mounting location
●	●	Automatic Temperature Control (ATC) system with manual override and adjustable louvers
▲	▲	Single-hammer auxiliary pedal
●	●	Standard lighting package, including 2 on boom and 1 in toolbox
▲	▲	Premium high-intensity LED lighting package including 4 additional cab-roof lights
●	●	AM/FM radio with USB input
▲	▲	Premium radio with auxiliary/USB port and Bluetooth connectivity for audio streaming
▲	▲	Rotating/strobe beacon
●	●	Storage compartment and multiple cupholders including oversized bottle holder
●	●	24-volt power port
▲	▲	12-volt power port
▲	▲	Rearview camera
●	●	Mechanical-suspension operator seat with cloth trim, 170-kg capacity, and 50-mm orange retractable seat belt
▲	▲	Premium air-suspension heated seat leather trim with lumbar adjustment, 200-kg capacity, and 75-mm orange retractable seat belt
▲	▲	Front rain visor
		<b>Front Equipment</b>
●	●	Centralized lubrication for boom points
●	●	Dirt seals on all bucket pins
●	●	Hardened steel bushes with chrome pins
●	●	Reinforced resin thrust washers
●	●	GD boom, 4.6 m
●	●	GD arm, 2.52 m
▲	▲	GD boom, 3.0 m
▲	▲	Less boom and arm
▲	▲	Boom cylinder hose-burst valves
▲	▲	Boom and arm cylinder hose-burst valves
		<b>Electrical</b>
●	●	Batteries (2 - 12 volt)
●	●	80-amp alternator
●	●	Blade-type multi-fused circuits
●	●	Positive- and negative-terminal battery covers
●	●	Environmental protection full battery cover
▲	▲	JDLINK wireless communication system
▲	▲	JDInsight wireless communication system



While general information, pictures, and descriptions are provided, some illustrations and text may include product options and accessories NOT AVAILABLE in all regions, and in some countries products and accessories may require modifications or additions to ensure compliance with the local regulations of those countries.