

L-SERIES
WHEEL LOADERS



JOHN DEERE

744L / 824L / 844L



**LARGE AND
IN CHARGE**

INTRODUCING THE
L-SERIES LOADERS



**GO THE
EXTRA MILE.**



+



**BETTER FUEL
ECONOMY***

**HEAVY-DUTY
AXLES**

**Compared to John Deere K-Series models.*



WE'LL DO THE HEAVY LIFTING.

Combining serious productivity with a redesigned cab and controls, our 744L, 824L, and 844L Loaders provide the muscle for operators to work comfortably. Enhancements include increased horsepower, ergonomic programmable controls, and reimagined electrical and hydraulic routing. Plus they're built rock solid with rugged John Deere EPA Final Tier 4/EU Stage V-compliant diesels and high-capacity heavy-duty axles. These large-scale wheel loaders deliver the performance, reliability, and comfort you need to stay productive all day long.

COMFORTABLE, CAPABLE, AND FUEL EFFICIENT

EARN MORE, BURN LESS.

L-Series Loaders feature a new cab, joystick steering, intuitive controls, fuel-efficient engines, and a host of other features that help reduce operator burnout while burning less fuel.

Redesigned cab

The operator station is more spacious and comfortable than K-Series models, with additional legroom, an improved HVAC system, extra storage, and a heated/ventilated adjustable seat.

Redesigned routing

Routing of the electrical and hydraulic systems has been significantly simplified to improve reliability and ease of maintenance. Over three dozen steel tubes replace 81 feet of hoses.

Operator station enhancements

A seat-belt minder sends an alert to the JDLink™ machine monitoring system if the safety belt isn't latched within 30 seconds after the parking brake is released. Other enhancements include remotely adjustable heated mirrors, an anchor tie-off point with window-washing platforms to ease cleaning windows, and a large platform for entry and exit from the cab.

New EH controls

Seat-mounted right-hand hydraulic controls are easier and more intuitive to operate than previous models, and feature two programmable multifunction buttons with new electrohydraulic (EH) controls. Joystick steering comes standard (steering wheel optional).



**2 PROGRAMMABLE
MULTIFUNCTION
BUTTONS** WITH NEW
EH CONTROLS



STANDOUT FEATURE

***IT HARDLY
SEEMS LIKE
WORK.***

CALM, COOL, AND COLLECTING LOADS

ALWAYS HAS YOUR BACK.

L-Series Loaders deliver loads of comfort, with a heated/ventilated seat; more legroom, storage, and power ports; and a better HVAC system than previous models.



Chill out

Blower vent behind the seat improves airflow and defrosts the rear window. With convenient filter and service locations, the new HVAC system is easier to maintain, too. The brushless motor is reliable and provides infinite fan speeds, quiet operation, and good airflow.

Set and forget

Automatic temperature control (ATC) system allows operators to simply select a desired temperature instead of fiddling with knobs to get comfortable.

Sight for sore eyes

Joystick steering improves forward visibility, while making room for easier entry and exit. A wider door than on K-Series models also simplifies getting in and out of the cab.

Multi-language color LCD display

A large seven-inch display with easy-on-the-eyes clarity enables intuitive push-button access to key info. Standard rearview camera displays activity behind the machine on the LCD screen. Add a dedicated seven-inch rearview display to see the action behind the machine and still have access to vital operating data at all times.

Stow your stuff

HVAC system has been relocated outside the cab to add storage area. There's plenty of space for a powered cooler, along with a handy 12-volt outlet. There's also a Thermos® holder with a Velcro® strap, plus a conveniently placed cupholder and a coat hook.

Daylong comfort

All-new cab boasts three more inches of legroom than previous models. Joystick controls, foot pedals, and sealed-switch module are all ergonomically placed for optimal comfort and convenience. Additional 12-volt and USB power ports and mounting points keep your devices charged up and within easy reach.

Sit down and get to work

Heated/ventilated seat is even more adjustable, for daylong comfort and support. Seat pan can be tilted and extended to match operator preferences, maximizing comfort. The pedestal has been moved farther to the rear to provide more legroom.





Expanded EH control

Operators can easily enable and adjust the following electrohydraulic (EH) functions through the monitor:

- **EH Precision** mode allows precise metering of the bucket and boom when laying pipe, moving heavy objects such as road barriers, or placing manholes.
- **Soft hydraulic stops** for both the boom and bucket are enabled for smooth operation or temporarily disabled when the application calls for dislodging stubborn materials.
- **Boom and bucket** aggressiveness can be set to low, medium, and high, for quicker and more precise response compared to previous models.
- **Attachment configuration** allows settings such as hydraulic flow and responsiveness for up to 10 different attachments to be conveniently stored.

New SSM functionality

Sealed-switch module (SSM) has been repositioned under the monitor so it's in the operator's line of sight. Updated or new functions include:

- **Return-to-dig** now allows leveling of the bucket from both dump and curl positions, for quick and easy leveling.
- **Constant-flow hydraulics** allow the operator to continuously run attachments without having to hold a lever or roller at full stop.
- **Throttle lock** maintains a specified rpm so the operator can warm up a machine, run a continuous-flow attachment, or road the machine without having to hold the throttle pedal down.

Low-effort joystick steering

Standard joystick steering is ideal for V-pattern truck loading. It adapts to ground speed to deliver smooth, low-effort control, even during load-and-carry operations.

Keep in touch

Operators can easily control up to eight functions without removing their hand from the ergonomically designed joystick. A larger F-N-R button provides convenient direction and full-range gear changes. Two industry-exclusive multifunction buttons can each be programmed to handle any of nine functions selected through the LCD monitor.



INTUITIVE
JOYSTICK STEERING



WON'T STEER YOU WRONG

STICK TO THE DETAILS.

Featuring standard joystick steering, L-Series Loaders lead you in the right direction, with smooth, low-effort control of steering and multiple functions.



LEAN, MEAN
HAULING
MACHINE.

DO MORE
FOR LESS

You can heap heavier and haul more in an L-Series Loader. And with advantages such as fuel-efficient engines, lockup torque converters, and a dedicated steering pump, you'll burn less fuel.



UP TO
16% MORE
FUEL EFFICIENT
COMPARED TO THE K-SERIES



Pump up the volume

Dedicated steering pump improves multifunction performance and fuel efficiency, while enabling faster steering, bucket raising, and cycle times than previous models.

Road and go

In addition to an aggregate-handler option, new log-handler and pipe-handler configurations deliver more full-turn tipping-load capacity than the K-Series (up to 11 percent on the 744L and up to 15 percent on the 844L).

Keep a low profile

Low-profile tire options boost traction, flotation, and stability over standard tires.

Productive performers

Deere 9.0L diesel replaces the 13.5L engine on the 824L, improving fuel economy without loss of performance. Lockup torque converters, standard on all models, enable outstanding load-and-carry efficiency.

Fuel savers

Standard five-speed transmission with torque-converter lockup in gears 2–5 increases acceleration, speeds cycles, and optimizes power and fuel efficiency during transport, roading, and ramp climbing. Redesigned torque converter on the 844L improves pushing and stockpiling performance over its K-Series predecessor.

BUILT FOR THE LONG HAUL.

TOUGH AXLES, EFFICIENT COOLING, AND SIMPLE SERVICE

Heavy-duty axles

Larger, higher-capacity heavy-duty axles with standard axle cooling and filtration increase durability in demanding conditions compared to previous models.

Easy greasing

Greasing is less messy thanks to centralized lube banks that are grouped for quick and convenient access to zerks. Auto-lube system is electrically powered and integrated with machine diagnostics.

Reliable electrical and hydraulic systems

Routing for electrical wire harnesses and hydraulic hoses has been improved over the K-Series, boosting durability and reliability.

Same-side ground-level service

All daily service points including fuel are conveniently grouped on the left side of the machine for easy access.

Innovative Quad-Cool™ system

Quad-Cool design places coolers in a unique boxed configuration that's isolated from engine heat, for increased efficiency and durability. Hydraulic reversing fan (standard on the 844L, optional on the 824L and 744L) automatically reverses at predetermined intervals, or can be programmed through the monitor, to eject debris from the cooler cores.



Get valuable insight with
JOHN DEERE WORKSIGHT™

The John Deere WorkSight suite of construction technology delivers **Productivity Solutions** to help you get more done, more efficiently. The in-base, five-year JDLink™ telematics subscription provides machine location, utilization data, and alerts to help you maximize productivity and efficiency. Other productivity solutions including grade-management and payload-weighting options are also available.

To maximize uptime and lower costs, JDLink telematics also enables **John Deere Connected Support™**. John Deere's centralized Machine Health Monitoring Center analyzes data from thousands of connected machines, identifies trends, and develops recommended actions, called Expert Alerts, to prevent downtime. Dealers use Expert Alerts to proactively address conditions that may otherwise likely lead to downtime. Your dealer can also monitor machine health and leverage remote diagnostics and programming capability to further diagnose problems and even update machine software without a time-consuming trip to the jobsite.





744L SPECIFICATIONS

While general information, pictures, and descriptions are provided, some illustrations and text may include product options and accessories NOT AVAILABLE in all regions, and in some countries products and accessories may require modifications or additions to ensure compliance with the local regulations of those countries.

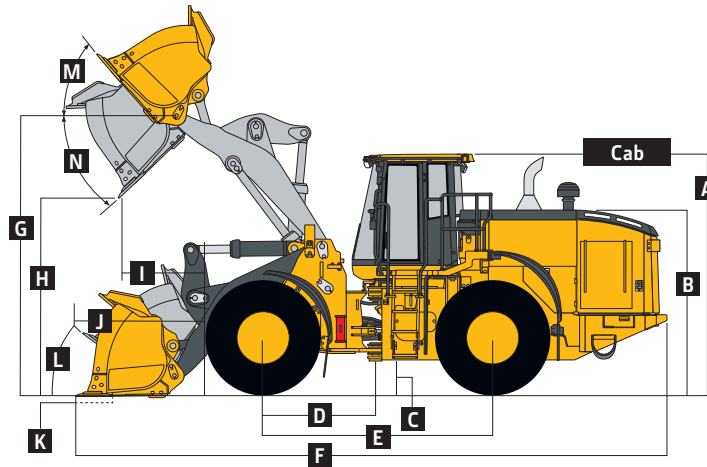
Engine		744L	
Manufacturer and Model	John Deere PowerTech™ PSS 6090	Net Torque Rise	50%
Non-Road Emission Standard	EPA Final Tier 4/EU Stage V	Fuel System (electronically controlled)	High-pressure common rail
Cylinders	6	Lubrication	Full-flow spin-on filter and integral cooler
Valves per Cylinder	4	Aspiration	Series turbocharged, charge air cooled
Displacement	9.0 L (548 cu. in.)	Air Cleaner	Under-hood, dual-element dry type, restriction indicator in cab monitor for service
Net Peak Power (ISO 9249)	236 kW (316 hp) at 1,500 rpm		
Net Peak Torque (ISO 9249)	1501 Nm (1,107 lb.-ft.) at 1,400 rpm		
Cooling			
Fan Drive	Hydraulically driven, proportionally controlled, fan aft of coolers		
Electrical			
Electrical System	24 volt with 150-amp alternator		
Batteries (2 – 12 volt)	1,400 CCA (each)		
Transmission System			
Type	Countershaft-type PowerShift™ with lockup torque converter		
Torque Converter	Single stage, dual phase with freewheeling stator with lockup clutch		
Shift Control	Electronically modulated, adaptive, load and speed dependent		
Operator Interface	Steering-column or joystick-mounted F-N-R and gear-select lever; Quick-Shift button on hydraulic lever		
Shift Modes	Manual/auto (1st–5th or 2nd–5th); Quick-Shift button with 2 selectable modes: kick-down or kick-up/down; and 4 settings for clutch cutoff		
Maximum Travel Speeds (with 26.5 R 25, 1 Star L3 tires)	<i>Forward</i>	<i>Reverse</i>	
Range 1	7.1 km/h (4.4 mph)	7.1 km/h (4.4 mph)	
Range 2	12.8 km/h (8.0 mph)	12.8 km/h (8.0 mph)	
Range 3	19.6 km/h (12.8 mph)	28.0 km/h (17.4 mph)	
Range 4	28.0 km/h (17.4 mph)	N/A	
Range 5	40.0 km/h (24.9 mph)	N/A	
Axles/Brakes			
Final Drives	Heavy-duty inboard-mounted planetary		
Differentials	Hydraulic locking front with conventional rear – standard; dual locking front and rear – optional		
Rear Axle Oscillation, Stop to Stop (with 26.5 R 25, 1 Star L3 tires)	26 deg. (13 deg. each direction)		
Brakes (conform to ISO 3450)			
Service	Hydraulically actuated, spring released, inboard, sun-gear mounted, oil cooled, self-adjusting, single disc		
Parking	Automatic spring applied, hydraulically released, oil cooled, multi disc		
Tires/Wheels (see page 19 for complete tire adjustments)			
	<i>Tread Width</i>	<i>Width Over Tires</i>	
Michelin 26.5 R 25, 2 Star L3	2298 mm (90.5 in.)	3084 mm (121.4 in.)	
Serviceability			
Refill Capacities			
Fuel Tank With Lockable Cap	477 L (126 gal.)	Transmission Reservoir With Vertical Filter	28.0 L (29.5 qt.)
Diesel Exhaust Fluid (DEF)	26.3 L (6.9 gal.)	Axle Oil (front and rear, each)	55.3 L (58.4 qt.)
Cooling System	48 L (50.7 qt.)	Hydraulic Reservoir and Filter	142 L (37.5 gal.)
Engine Oil With Vertical Spin-On Filter	34 L (36 qt.)	Park Brake Oil (wet disc)	0.7 L (24 oz.)
Hydraulic System/Steering			
Loader Pumps	2 variable-displacement, load-sensing axial-piston pumps; closed-center system		
Maximum Rated Flow at 6895 kPa (1,000 psi) and 2,000 rpm	484.5 L/m (128 gpm)		
Steering Pump	1 variable-displacement, load-sensing axial-piston pump; closed-center system		
Maximum Rated Flow at 6895 kPa (1,000 psi) and 2,000 rpm	161.5 L/m (43 gpm)		
System Relief Pressure (loader and steering)	23 000 kPa (3,336 psi)		
Loader Controls	2-function valve; single- or dual-lever controls; control lever lockout feature; optional 3rd- and 4th-function valve with auxiliary controls		
Steering (conforms to ISO 5010)			
Type	Power, fully hydraulic		
Articulation Angle	80-deg. arc (40 deg. each direction)		
Turning Radius (measured to centerline of outside tire)	5.92 m (19 ft. 5 in.)		

744L SPECIFICATIONS



While general information, pictures, and descriptions are provided, some illustrations and text may include product options and accessories NOT AVAILABLE in all regions, and in some countries products and accessories may require modifications or additions to ensure compliance with the local regulations of those countries.

Hydraulic System/Steering (continued)		744L
Hydraulic Cycle Times		Standard-Lift / High-Lift
Raise		5.9 sec.
Dump		1.4 sec.
Lower (float down)		2.8 sec.
Total		10.1 sec.



744L STANDARD-LIFT AND HIGH-LIFT LOADERS WITH PIN-ON BUCKET

Dimensions With Bucket	4.0-m ³ (5.25 cu. yd.) general-purpose			4.2-m ³ (5.5 cu. yd.) general-purpose enhanced production			4.5-m ³ (5.85 cu. yd.) material-handling enhanced production		High-Lift 4.0-m ³ (5.25 cu. yd.) general-purpose bolt-on edge
	bolt-on edge	teeth and segments	JAGZ™	bolt-on edge	teeth and segments	JAGZ	bolt-on edge	JAGZ	bolt-on edge
A Height to Top of Cab	3.57 m (11 ft. 9 in.)	3.57 m (11 ft. 9 in.)	3.57 m (11 ft. 9 in.)	3.57 m (11 ft. 9 in.)	3.57 m (11 ft. 9 in.)	3.57 m (11 ft. 9 in.)	3.57 m (11 ft. 9 in.)	3.57 m (11 ft. 9 in.)	3.57 m (11 ft. 9 in.)
B Hood Height	2.73 m (8 ft. 11 in.)	2.73 m (8 ft. 11 in.)	2.73 m (8 ft. 11 in.)	2.73 m (8 ft. 11 in.)	2.73 m (8 ft. 11 in.)	2.73 m (8 ft. 11 in.)	2.73 m (8 ft. 11 in.)	2.73 m (8 ft. 11 in.)	2.73 m (8 ft. 11 in.)
C Ground Clearance	458 mm (18 in.)	458 mm (18 in.)	458 mm (18 in.)	458 mm (18 in.)	458 mm (18 in.)	458 mm (18 in.)	458 mm (18 in.)	458 mm (18 in.)	458 mm (18 in.)
D Length From Centerline to Front Axle	1.70 m (5 ft. 7 in.)	1.70 m (5 ft. 7 in.)	1.70 m (5 ft. 7 in.)	1.70 m (5 ft. 7 in.)	1.70 m (5 ft. 7 in.)	1.70 m (5 ft. 7 in.)	1.70 m (5 ft. 7 in.)	1.70 m (5 ft. 7 in.)	1.70 m (5 ft. 7 in.)
E Wheelbase	3.46 m (11 ft. 4 in.)	3.46 m (11 ft. 4 in.)	3.46 m (11 ft. 4 in.)	3.46 m (11 ft. 4 in.)	3.46 m (11 ft. 4 in.)	3.46 m (11 ft. 4 in.)	3.46 m (11 ft. 4 in.)	3.46 m (11 ft. 4 in.)	3.46 m (11 ft. 4 in.)
F Overall Length, Bucket on Ground	9.02 m (29 ft. 7 in.)	9.23 m (30 ft. 4 in.)	9.02 m (29 ft. 7 in.)	9.10 m (29 ft. 10 in.)	9.30 m (30 ft. 6 in.)	9.10 m (29 ft. 10 in.)	9.16 m (30 ft. 1 in.)	9.16 m (30 ft. 1 in.)	9.66 m (31 ft. 8 in.)
G Height to Hinge Pin, Fully Raised	4.27 m (14 ft. 0 in.)	4.27 m (14 ft. 0 in.)	4.27 m (14 ft. 0 in.)	4.27 m (14 ft. 0 in.)	4.27 m (14 ft. 0 in.)	4.27 m (14 ft. 0 in.)	4.27 m (14 ft. 0 in.)	4.27 m (14 ft. 0 in.)	4.84 m (15 ft. 11 in.)
H Dump Clearance, 45 deg., Full Height	3.04 m (10 ft. 0 in.)	2.90 m (9 ft. 6 in.)	3.04 m (10 ft. 0 in.)	2.98 m (9 ft. 9 in.)	2.85 m (9 ft. 4 in.)	2.99 m (9 ft. 10 in.)	2.94 m (9 ft. 8 in.)	2.94 m (9 ft. 8 in.)	3.69 m (12 ft. 1 in.)
I Reach, 45-deg. Dump, Full Height	1.27 m (4 ft. 2 in.)	1.41 m (4 ft. 7 in.)	1.27 m (4 ft. 2 in.)	1.32 m (4 ft. 4 in.)	1.45 m (4 ft. 9 in.)	1.32 m (4 ft. 4 in.)	1.36 m (4 ft. 6 in.)	1.36 m (4 ft. 6 in.)	1.53 m (5 ft. 0 in.)
J Reach, 45-deg. Dump, 213-mm (7 ft. 0 in.) Clearance	1.89 m (6 ft. 2 in.)	1.96 m (6 ft. 5 in.)	1.89 m (6 ft. 2 in.)	1.92 m (6 ft. 4 in.)	1.98 m (6 ft. 6 in.)	1.92 m (6 ft. 4 in.)	1.94 m (6 ft. 4 in.)	1.94 m (6 ft. 4 in.)	2.45 m (8 ft. 0 in.)
K Maximum Digging Depth	104 mm (4.1 in.)	120 mm (4.7 in.)	101 mm (4.0 in.)	110 mm (4.3 in.)	130 mm (5.1 in.)	107 mm (4.2 in.)	115 mm (4.5 in.)	115 mm (4.5 in.)	219 mm (8.6 in.)
L Maximum Rollback at Ground Level	40.2 deg.	40.2 deg.	40.2 deg.	40.2 deg.	40.2 deg.	40.2 deg.	40.2 deg.	40.2 deg.	41.2 deg.
M Maximum Rollback, Boom Fully Raised	54.9 deg.	54.9 deg.	54.9 deg.	54.9 deg.	54.9 deg.	54.9 deg.	54.9 deg.	54.9 deg.	53.1 deg.
N Maximum Bucket Dump Angle, Fully Raised	49.3 deg.	49.3 deg.	49.3 deg.	49.9 deg.	49.9 deg.	49.9 deg.	49.9 deg.	49.8 deg.	39.2 deg.
Loader Clearance Circle, Bucket Carry Position	14.01 m (46 ft. 0 in.)	14.13 m (46 ft. 4 in.)	14.01 m (46 ft. 0 in.)	14.06 m (46 ft. 2 in.)	14.22 m (46 ft. 8 in.)	14.06 m (46 ft. 2 in.)	14.10 m (46 ft. 3 in.)	14.10 m (46 ft. 3 in.)	14.20 m (46 ft. 7 in.)

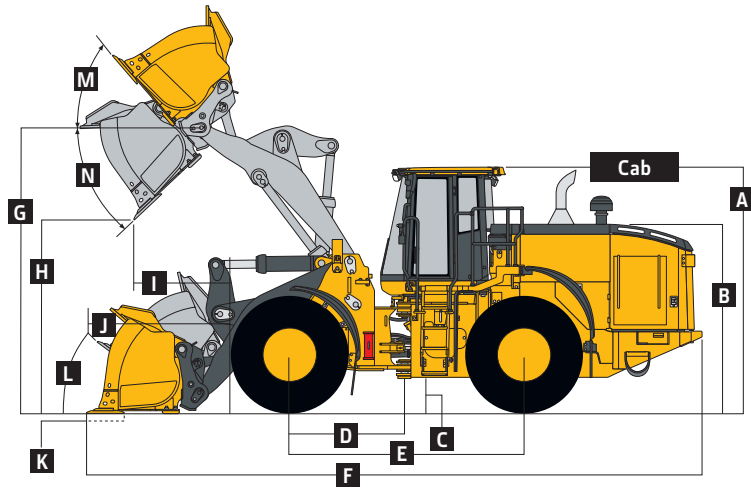
While general information, pictures, and descriptions are provided, some illustrations and text may include product options and accessories NOT AVAILABLE in all regions, and in some countries products and accessories may require modifications or additions to ensure compliance with the local regulations of those countries.

Dimensions and Specifications With Pin-On Bucket (continued) **744L**

	Standard-Lift	Standard-Lift	Standard-Lift	Standard-Lift	Standard-Lift	Standard-Lift	Standard-Lift	Standard-Lift	High-Lift
Specifications With Bucket	4.0-m ³ (5.25 cu. yd.) general-purpose			4.2-m ³ (5.5 cu. yd.) general-purpose enhanced production			4.5-m ³ (5.85 cu. yd.) material-handling enhanced production		4.0-m ³ (5.25 cu. yd.) general-purpose
Cutting Edge Type	bolt-on edge	teeth and segments	JAGZ	bolt-on edge	teeth and segments	JAGZ	bolt-on edge	JAGZ	bolt-on edge
Capacity, Heaped	4.0 m ³ (5.25 cu. yd.)	4.0 m ³ (5.25 cu. yd.)	4.0 m ³ (5.25 cu. yd.)	4.2 m ³ (5.5 cu. yd.)	4.2 m ³ (5.5 cu. yd.)	4.2 m ³ (5.5 cu. yd.)	4.5 m ³ (5.85 cu. yd.)	4.5 m ³ (5.85 cu. yd.)	4.0 m ³ (5.25 cu. yd.)
Capacity, Heaped at 110% Fill Factor	4.4 m ³ (5.78 cu. yd.)	4.4 m ³ (5.78 cu. yd.)	4.4 m ³ (5.78 cu. yd.)	4.6 m ³ (6.05 cu. yd.)	4.6 m ³ (6.05 cu. yd.)	4.6 m ³ (6.05 cu. yd.)	5.0 m ³ (6.44 cu. yd.)	5.0 m ³ (6.44 cu. yd.)	4.4 m ³ (5.78 cu. yd.)
Capacity, Struck	3.4 m ³ (4.5 cu. yd.)	3.4 m ³ (4.5 cu. yd.)	3.4 m ³ (4.5 cu. yd.)	3.5 m ³ (4.6 cu. yd.)	3.5 m ³ (4.6 cu. yd.)	3.5 m ³ (4.6 cu. yd.)	3.8 m ³ (4.9 cu. yd.)	3.8 m ³ (4.9 cu. yd.)	3.4 m ³ (4.5 cu. yd.)
Bucket Weight With Bolt-On Cutting Edge	2592 kg (5,714 lb.)	2722 kg (6,001 lb.)	2616 kg (5,767 lb.)	2866 kg (6,318 lb.)	2998 kg (6,609 lb.)	2889 kg (6,369 lb.)	2913 kg (6,422 lb.)	2944 kg (6,473 lb.)	2592 kg (5,714 lb.)
Bucket Width	3.28 m (10 ft. 9 in.)	3.30 m (10 ft. 10 in.)	3.28 m (10 ft. 9 in.)	3.28 m (10 ft. 9 in.)	3.30 m (10 ft. 10 in.)	3.28 m (10 ft. 9 in.)	3.28 m (10 ft. 9 in.)	3.28 m (10 ft. 9 in.)	3.28 m (10 ft. 9 in.)
Breakout Force	19 414 kg (42,800 lb.)	16 941 kg (37,348 lb.)	19 447 kg (42,873 lb.)	18 307 kg (40,360 lb.)	16 057 kg (35,400 lb.)	18 339 kg (40,431 lb.)	17 550 kg (38,691 lb.)	17 501 kg (38,583 lb.)	17 396 kg (38,352 lb.)
Tipping Load, Straight, No Tire Deflection	19 933 kg (43,945 lb.)	19 759 kg (43,561 lb.)	19 904 kg (43,881 lb.)	19 457 kg (42,895 lb.)	19 279 kg (42,503 lb.)	19 437 kg (42,851 lb.)	19 310 kg (42,571 lb.)	19 274 kg (42,492 lb.)	15 813 kg (34,862 lb.)
Tipping Load, Straight, With Tire Deflection	18 633 kg (41,079 lb.)	18 462 kg (40,702 lb.)	18 603 kg (41,013 lb.)	18 180 kg (40,080 lb.)	18 003 kg (39,690 lb.)	18 159 kg (40,034 lb.)	18 033 kg (39,756 lb.)	17 997 kg (39,677 lb.)	14 874 kg (32,792 lb.)
Tipping Load, 37-deg. Partial Turn, No Tire Deflection	17 574 kg (38,744 lb.)	17 400 kg (38,360 lb.)	17 545 kg (38,680 lb.)	17 123 kg (37,750 lb.)	16 944 kg (37,355 lb.)	17 103 kg (37,706 lb.)	16 987 kg (37,450 lb.)	16 950 kg (37,368 lb.)	13 856 kg (30,547 lb.)
Tipping Load, 40-deg. Full Turn, No Tire Deflection	17 192 kg (37,902 lb.)	17 018 kg (37,518 lb.)	17 163 kg (37,838 lb.)	16 745 kg (36,916 lb.)	16 566 kg (36,522 lb.)	16 725 kg (36,872 lb.)	16 611 kg (36,621 lb.)	16 574 kg (36,539 lb.)	13 539 kg (29,848 lb.)
Tipping Load, 40-deg. Full Turn, With Tire Deflection	15 528 kg (34,233 lb.)	15 357 kg (33,856 lb.)	15 498 kg (34,167 lb.)	15 108 kg (33,307 lb.)	14 934 kg (32,924 lb.)	15 090 kg (33,268 lb.)	14 976 kg (33,016 lb.)	14 940 kg (32,937 lb.)	12 360 kg (27,130 lb.)
Rated Operating Load, 50% Full-Turn Tipping Load, With Tire Deflection (conforms to ISO 14397-1)*	7764 kg (17,117 lb.)	7679 kg (16,929 lb.)	7749 kg (17,084 lb.)	7554 kg (16,654 lb.)	7467 kg (16,462 lb.)	7545 kg (16,634 lb.)	7488 kg (16,508 lb.)	7470 kg (16,469 lb.)	6180 kg (13,625 lb.)
Operating Weight	25 343 kg (55,872 lb.)	25 472 kg (56,156 lb.)	25 366 kg (55,922 lb.)	25 616 kg (56,474 lb.)	25 748 kg (56,765 lb.)	25 639 kg (56,524 lb.)	25 663 kg (56,577 lb.)	25 694 kg (56,646 lb.)	25 894 kg (57,086 lb.)

Loader operating information is based on machine with identified linkage and standard equipment, PowerTech PSS 6090 (EPA Final Tier 4/EU Stage V) engine, ROPS cab, rear cast bumper/counterweight, transmission side-frame guards, bottom guards, standard tires, full fuel tank, and 79-kg (175 lb.) operator. This information is affected by changes in tires, ballast, and different attachments.
 *Rated operating capacity based on Deere attachments only.

Dimensions and Specifications With Coupler and Hook-On Bucket



744L STANDARD-LIFT AND HIGH-LIFT LOADERS WITH HOOK-ON BUCKET

	Standard-Lift	Standard-Lift	Standard-Lift	Standard-Lift	Standard-Lift	Standard-Lift	High-Lift
Dimensions With Bucket	3.8-m ³ (5.0 cu. yd.) general-purpose (GP) enhanced production (EP)			4.0-m ³ (5.25 cu. yd.) general-purpose (GP) enhanced production (EP)		3.8-m ³ (5.0 cu. yd.) GP EP	
Cutting Edge Type	bolt-on edge	teeth and segments	JAGZ	bolt-on edge	teeth and segments	JAGZ	bolt-on edge
A Height to Top of Cab	3.57 m (11 ft. 9 in.)	3.57 m (11 ft. 9 in.)	3.57 m (11 ft. 9 in.)	3.57 m (11 ft. 9 in.)	3.57 m (11 ft. 9 in.)	3.57 m (11 ft. 9 in.)	3.57 m (11 ft. 9 in.)
B Hood Height	2.73 m (8 ft. 11 in.)	2.73 m (8 ft. 11 in.)	2.73 m (8 ft. 11 in.)	2.73 m (8 ft. 11 in.)	2.73 m (8 ft. 11 in.)	2.73 m (8 ft. 11 in.)	2.73 m (8 ft. 11 in.)
C Ground Clearance	458 mm (18 in.)	458 mm (18 in.)	458 mm (18 in.)	458 mm (18 in.)	458 mm (18 in.)	458 mm (18 in.)	458 mm (18 in.)
D Length From Centerline to Front Axle	1.70 m (5 ft. 7 in.)	1.70 m (5 ft. 7 in.)	1.70 m (5 ft. 7 in.)	1.70 m (5 ft. 7 in.)	1.70 m (5 ft. 7 in.)	1.70 m (5 ft. 7 in.)	1.70 m (5 ft. 7 in.)
E Wheelbase	3.46 m (11 ft. 4 in.)	3.46 m (11 ft. 4 in.)	3.46 m (11 ft. 4 in.)	3.46 m (11 ft. 4 in.)	3.46 m (11 ft. 4 in.)	3.46 m (11 ft. 4 in.)	3.46 m (11 ft. 4 in.)
F Overall Length, Bucket on Ground	9.17 m (30 ft. 1 in.)	9.38 m (30 ft. 9 in.)	9.17 m (30 ft. 1 in.)	9.18 m (30 ft. 1 in.)	9.39 m (30 ft. 10 in.)	9.18 m (30 ft. 1 in.)	9.81 m (32 ft. 2 in.)
G Height to Hinge Pin, Fully Raised	4.27 m (14 ft. 0 in.)	4.27 m (14 ft. 0 in.)	4.27 m (14 ft. 0 in.)	4.27 m (14 ft. 0 in.)	4.27 m (14 ft. 0 in.)	4.27 m (14 ft. 0 in.)	4.84 m (15 ft. 11 in.)
H Dump Clearance, 45 deg., Full Height	2.95 m (9 ft. 8 in.)	2.81 m (9 ft. 2.63 in.)	2.95 m (9 ft. 8 in.)	2.94 m (9 ft. 8 in.)	2.80 m (9 ft. 2 in.)	2.94 m (9 ft. 8 in.)	6.34 m (20 ft. 10 in.)
I Reach, 45-deg. Dump, Full Height	1.41 m (4 ft. 8 in.)	1.54 m (5 ft. 1 in.)	1.41 m (4 ft. 8 in.)	1.41 m (4 ft. 8 in.)	1.55 m (5 ft. 1 in.)	1.41 m (4 ft. 8 in.)	1.69 m (5 ft. 7 in.)
J Reach, 45-deg. Dump, 2.13-m (7 ft. 0 in.) Clearance	1.98 m (6 ft. 6 in.)	2.05 m (6 ft. 9 in.)	1.98 m (6 ft. 6 in.)	1.98 m (6 ft. 6 in.)	2.05 m (6 ft. 9 in.)	1.98 m (6 ft. 6 in.)	2.55 m (8 ft. 4 in.)

While general information, pictures, and descriptions are provided, some illustrations and text may include product options and accessories NOT AVAILABLE in all regions, and in some countries products and accessories may require modifications or additions to ensure compliance with the local regulations of those countries.

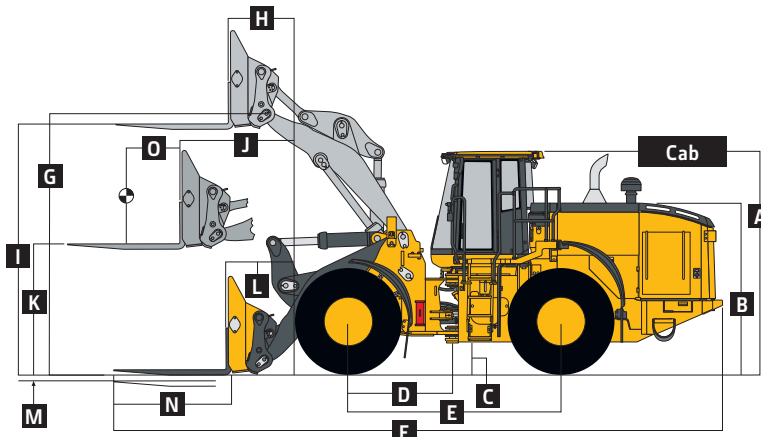
Dimensions and Specifications With Coupler and Hook-On Bucket (continued)

	Standard-Lift 3.8-m ³ (5.0 cu. yd.) general-purpose (GP) enhanced production (EP)		Standard-Lift 4.0-m ³ (5.25 cu. yd.) general-purpose (GP) enhanced production (EP)		Standard-Lift 4.0-m ³ (5.25 cu. yd.) general-purpose (GP) enhanced production (EP)		High-Lift 3.8-m ³ (5.0 cu. yd.) GP EP	
Dimensions With Bucket (continued)	Standard-Lift		Standard-Lift		Standard-Lift		High-Lift	
Cutting Edge Type	bolt-on edge		teeth and segments	JAGZ	bolt-on edge		teeth and segments	JAGZ
K Maximum Digging Depth	83 mm (3.3 in.)	103 mm (4.1 in.)	80 mm (3.2 in.)	88 mm (3.5 in.)	109 mm (4.3 in.)	86 mm (3.4 in.)	199 mm (7.8 in.)	
L Maximum Rollback at Ground Level	40.3 deg.	40.3 deg.	40.3 deg.	40.3 deg.	40.3 deg.	40.3 deg.	41.2 deg.	
M Maximum Rollback, Boom Fully Raised	54.9 deg.	54.9 deg.	54.9 deg.	54.9 deg.	54.9 deg.	54.9 deg.	53.1 deg.	
N Maximum Bucket Dump Angle, Fully Raised	49.5 deg.	49.5 deg.	49.5 deg.	49.5 deg.	49.5 deg.	49.5 deg.	40.0 deg.	
Loader Clearance Circle, Bucket Carry Position	14.1 m (46 ft. 3 in.)	14.3 m (46 ft. 11 in.)	14.1 m (46 ft. 3 in.)	14.1 m (46 ft. 3 in.)	14.3 m (46 ft. 11 in.)	14.1 m (46 ft. 3 in.)	14.4 m (47 ft. 1 in.)	
Specifications with Bucket								
Capacity, Heaped	3.8 m ³ (5.0 cu. yd.)	3.8 m ³ (5.0 cu. yd.)	3.8 m ³ (5.0 cu. yd.)	4.0 m ³ (5.25 cu. yd.)	4.0 m ³ (5.25 cu. yd.)	4.0 m ³ (5.25 cu. yd.)	3.8 m ³ (5.0 cu. yd.)	
Capacity, Heaped at 110% Fill Factor	4.2 m ³ (5.5 cu. yd.)	4.2 m ³ (5.5 cu. yd.)	4.2 m ³ (5.5 cu. yd.)	4.4 m ³ (5.78 cu. yd.)	4.4 m ³ (5.78 cu. yd.)	4.4 m ³ (5.78 cu. yd.)	4.2 m ³ (5.5 cu. yd.)	
Capacity, Struck	3.25 m ³ (4.25 cu. yd.)	3.25 m ³ (4.25 cu. yd.)	3.25 m ³ (4.25 cu. yd.)	3.4 m ³ (4.5 cu. yd.)	3.4 m ³ (4.5 cu. yd.)	3.4 m ³ (4.5 cu. yd.)	3.25 m ³ (4.25 cu. yd.)	
Bucket Weight With Bolt-On Cutting Edge	2499 kg (5,509 lb.)	2625 kg (5,788 lb.)	2522 kg (5,560 lb.)	2586 kg (5,701 lb.)	2712 kg (5,980 lb.)	2609 kg (5,752 lb.)	2499 kg (5,509 lb.)	
Bucket Width	3.28 m (10 ft. 9 in.)	3.30 m (10 ft. 10 in.)	3.28 m (10 ft. 9 in.)	3.28 m (10 ft. 9 in.)	3.30 m (10 ft. 10 in.)	3.28 m (10 ft. 9 in.)	3.28 m (10 ft. 9 in.)	
Breakout Force	17 280 kg (38,096 lb.)	15 256 kg (33,634 lb.)	17 304 kg (38,149 lb.)	17 114 kg (37,730 lb.)	15 116 kg (33,325 lb.)	17,136 kg (37,778 lb.)	15 433 kg (34,024 lb.)	
Tipping Load, Straight, No Tire Deflection	18 353 kg (40,461 lb.)	18 185 kg (40,091 lb.)	18 325 kg (40,400 lb.)	18 363 kg (40,483 lb.)	18 194 kg (40,111 lb.)	18 335 kg (40,422 lb.)	14 576 kg (32,135 lb.)	
Tipping Load, Straight, With Tire Deflection	17 118 kg (37,739 lb.)	16 953 kg (37,375 lb.)	17 091 kg (37,679 lb.)	17 118 kg (37,739 lb.)	16 953 kg (37,375 lb.)	17 091 kg (37,679 lb.)	13 656 kg (30,106 lb.)	
Tipping Load, 37-deg. Partial Turn, No Tire Deflection	16 102 kg (35,499 lb.)	15 933 kg (35,126 lb.)	16 073 kg (35,435 lb.)	16 101 kg (35,497 lb.)	15 932 kg (35,124 lb.)	16 073 kg (35,435 lb.)	12 687 kg (27,970 lb.)	
Tipping Load, 40-deg. Full Turn, No Tire Deflection	15 737 kg (34,694 lb.)	15 569 kg (34,324 lb.)	15 709 kg (34,632 lb.)	15 735 kg (34,690 lb.)	15 566 kg (34,317 lb.)	15 707 kg (34,628 lb.)	12 381 kg (27,295 lb.)	
Tipping Load, 40-deg. Full Turn, With Tire Deflection	14 148 kg (31,191 lb.)	13 983 kg (30,827 lb.)	14 121 kg (31,131 lb.)	14 136 kg (31,165 lb.)	13 971 kg (30,801 lb.)	14 109 kg (31,105 lb.)	11 175 kg (24,637 lb.)	
Rated Operating Load, 50% Full-Turn Tipping Load, With Tire Deflection (conforms to ISO 14397-1)*	7074 kg (15,595 lb.)	6922 kg (15,415 lb.)	7061 kg (15,567 lb.)	7068 kg (15,582 lb.)	6986 kg (15,401 lb.)	7055 kg (15,554 lb.)	5588 kg (12,319 lb.)	
Operating Weight	26 080 kg (57,496 lb.)	26 207 kg (57,776 lb.)	26 103 kg (57,547 lb.)	26 165 kg (57,684 lb.)	26 291 kg (57,962 lb.)	26 188 kg (57,735 lb.)	26 632 kg (58,713 lb.)	

Loader operating information is based on machine with identified linkage and standard equipment, PowerTech PSS 6090 (EPA Final Tier 4/EU Stage V) engine, ROPS cab, rear cast bumper/counterweight, transmission side-frame guards, bottom guards, standard tires, full fuel tank, and 79-kg (175 lb.) operator. This information is affected by changes in tires, ballast, and different attachments.

*Rated operating capacity based on Deere attachments only.

Dimensions and Specifications With Coupler and Hook-On Construction Forks



744L STANDARD-LIFT AND HIGH-LIFT LOADERS WITH HOOK-ON CONSTRUCTION FORKS

	Standard-Lift	Standard-Lift	High-Lift
Dimensions With Forks	1.83-m (72 in.) tine length		
A Height to Top of Cab	3.57 m (11 ft. 9 in.)	3.57 m (11 ft. 9 in.)	3.57 m (11 ft. 9 in.)
B Hood Height	2.73 m (8 ft. 11 in.)	2.73 m (8 ft. 11 in.)	2.73 m (8 ft. 11 in.)
C Ground Clearance	458 mm (18 in.)	458 mm (18 in.)	458 mm (18 in.)
D Length From Centerline to Front Axle	1.70 m (5 ft. 7 in.)	1.70 m (5 ft. 7 in.)	1.70 m (5 ft. 7 in.)
E Wheelbase	3.46 m (11 ft. 4 in.)	3.46 m (11 ft. 4 in.)	3.46 m (11 ft. 4 in.)
F Overall Length, Forks on Ground	9.82 m (32 ft. 3 in.)	10.43 m (34 ft. 3 in.)	10.49 m (34 ft. 5 in.)
G Height to Hinge Pin, Fully Raised	4.27 m (14 ft. 0 in.)	4.27 m (14 ft. 0 in.)	4.84 m (15 ft. 11 in.)
H Reach, Fully Raised	0.90 m (35 in.)	0.90 m (35 in.)	1.05 m (3 ft. 5 in.)
I Fork Height, Fully Raised	3.22 m (10 ft. 7 in.)	3.22 m (10 ft. 7 in.)	3.79 m (12 ft. 5 in.)
J Maximum Reach, Fork Level	1.77 m (5 ft. 10 in.)	1.77 m (5 ft. 10 in.)	2.29 m (7 ft. 6 in.)
K Fork Height, Maximum Reach	1.29 m (4 ft. 3 in.)	1.29 m (4 ft. 3 in.)	1.29 m (4 ft. 3 in.)
L Reach, Ground Level	1.00 m (3 ft. 3 in.)	1.00 m (3 ft. 3 in.)	1.67 m (5 ft. 6 in.)
M Depth Below Ground	56 mm (2.2 in.)	56 mm (2.2 in.)	59 mm (2.3 in.)
N Tine Length	1.83 m (72 in.)	2.44 m (96 in.)	1.83 m (72 in.)
O Load Position, 50% Tine Length	0.92 m (36 in.)	1.22 m (48 in.)	0.92 m (36 in.)

Dimensions and Specifications With Coupler and Hook-On Construction Forks (continued)			
	744L		
	<i>Standard-Lift</i>	<i>Standard-Lift</i>	<i>High-Lift</i>
Specifications With Forks	<i>1.83-m (72 in.) tine length</i>	<i>2.44-m (96 in.) tine length</i>	<i>1.83-m (72 in.) tine length</i>
Tipping Load, Straight, No Tire Deflection	12 911 kg (28,464 lb.)	11 705 kg (25,805 lb.)	10 792 kg (23,792 lb.)
Tipping Load, Straight, With Tire Deflection	12 507 kg (27,573 lb.)	11 355 kg (25,033 lb.)	10 470 kg (23,082 lb.)
Tipping Load, 37-deg. Partial Turn, No Tire Deflection	11 393 kg (25,117 lb.)	10 306 kg (22,721 lb.)	9466 kg (20,869 lb.)
Tipping Load, 40-deg. Full Turn, No Tire Deflection	11 147 kg (24,575 lb.)	10 079 kg (22,220 lb.)	9252 kg (20,397 lb.)
Tipping Load, 40-deg. Full Turn, With Tire Deflection	10 593 kg (23,354 lb.)	9594 kg (21,151 lb.)	8802 kg (19,405 lb.)
Rated Operating Load, 50% Full-Turn Tipping Load, With Tire Deflection (conforms to ISO 14397-1)*	5297 kg (11,678 lb.)	4797 kg (10,576 lb.)	4401 kg (9,703 lb.)
Rated Operating Load, Rough Terrain, 60% Full-Turn Tipping Load, With Tire Deflection (conforms to EN474-3)*	6356 kg (14,013 lb.)	5756 kg (12,690 lb.)	2641 kg (5,822 lb.)
Rated Operating Load, Firm and Level Ground, 80% Full-Turn Tipping Load, With Tire Deflection (conforms to EN474-3)*	8474 kg (18,682 lb.)	7675 kg (16,920 lb.)	3521 kg (7,762 lb.)
Operating Weight	25 013 kg (55,144 lb.)	25 185 kg (55,523 lb.)	25 564 kg (56,359 lb.)
<i>Loader operating information is based on machine with identified linkage and standard equipment, PowerTech PSS 6090 (EPA Final Tier 4/EU Stage V) engine, ROPS cab, rear cast bumper/counterweight, transmission side-frame guards, bottom guards, standard tires, full fuel tank, and 79-kg (175 lb.) operator. This information is affected by changes in tires, ballast, and different attachments.</i>			
<i>*Rated operating capacity based on Deere attachments only.</i>			

LOG HANDLER Dimensions and Specifications With Pin-On Millyard Forks			
	<i>Standard-Lift</i>		<i>Standard-Lift</i>
Dimensions With Millyard Forks	<i>Wicker with 1.68-m (66 in.) tine length</i>	Specifications With Millyard Forks	<i>Wicker with 1.68-m (66 in.) tine length</i>
Height to Top of Cab	3.57 m (11 ft. 9 in.)	Tipping Load, Straight, No Tire Deflection	15 823 kg (34,884 lb.)
Hood Height	2.73 m (8 ft. 11 in.)	Tipping Load, Straight, With Tire Deflection	15 801 kg (34,835 lb.)
Ground Clearance	458 mm (18 in.)	Tipping Load, 37-deg. Partial Turn, No Tire Deflection	13 902 kg (30,649 lb.)
Length From Centerline to Front Axle	1.70 m (5 ft. 7 in.)	Tipping Load, 40-deg. Full Turn, No Tire Deflection	13 591 kg (29,963 lb.)
Wheelbase	3.46 m (11 ft. 4 in.)	Tipping Load, 40-deg. Full Turn, With Tire Deflection	13 566 kg (29,908 lb.)
Overall Length, Forks on Ground	9.30 m (30 ft. 6 in.)	Operating Weight	26 265 kg (57,904 lb.)
Height to Hinge Pin, Fully Raised	4.27 m (14 ft. 0 in.)	<i>Loader operating information is based on machine with identified linkage and standard equipment, PowerTech PSS 6090 (EPA Final Tier 4/EU Stage V) engine, ROPS cab, rear cast bumper/counterweight, transmission side-frame guards, bottom guards, standard tires, full fuel tank, and 79-kg (175 lb.) operator. This information is affected by changes in tires, ballast, and different attachments.</i>	
Reach, Fully Raised	2.35 m (7 ft. 9 in.)		
Fork Height, Fully Raised	3.28 m (10 ft. 9 in.)		
Maximum Reach, Fork Level	3.22 m (10 ft. 7 in.)		
Fork Height, Maximum Reach	1.30 m (4 ft. 3 in.)		
Reach, Ground Level	2.56 m (8 ft. 5 in.)		
Depth Below Ground	112 mm (4.4 in.)		
Tine Length	1.68 m (66 in.)		
Grapple Weight	2381 kg (5,250 lb.)		
Overall Grapple Width	2.21 m (87 in.) (7 ft. 3 in.)		

While general information, pictures, and descriptions are provided, some illustrations and text may include product options and accessories NOT AVAILABLE in all regions, and in some countries products and accessories may require modifications or additions to ensure compliance with the local regulations of those countries.

Dimensions and Specifications

With Pin-On Pipe Grapple

744L PIPE HANDLER

	Standard-Lift Rockland with 0.09-m x 0.20-m x 2.44-m 3.5 in. x 8.0 in. x 96.0 in.) tine length
Height to Top of Cab	3.57 m (11 ft. 9 in.)
Hood Height	2.73 m (8 ft. 11 in.)
Ground Clearance	458 mm (18.0 in.)
Length From Centerline to Front Axle	1.70 m (5 ft. 7 in.)
Wheelbase	3.46 m (11 ft. 4 in.)
Overall Length, Forks on Ground	9.91 m (32 ft. 6 in.)
Height to Hinge Pin, Fully Raised	4.27 m (14 ft. 0 in.)
Reach, Fully Raised	3.34 m (11 ft. 0 in.)
Fork Height, Fully Raised	3.64 m (11 ft. 11 in.)
Maximum Reach, Fork Level	4.19 m (13 ft. 9 in.)
Fork Height, Maximum Reach	1.30 m (4 ft. 3 in.)
Reach, Ground Level	2.98 m (9 ft. 9 in.)
Depth Below Ground	470 mm (18.5 in.)
Tine Length	2.44 m (96 in.)
Grapple Weight	3406 kg (7,510 lb.)
Overall Grapple Width	3.05 m (102 in.) (10 ft. 0 in.)

Specifications With Pipe Grapple

	Standard-Lift Rockland with 0.09-m x 0.20-m x 2.44-m 3.5 in. x 8.0 in. x 96.0 in.) tine length
Tipping Load, Straight, No Tire Deflection	12 583 kg (27,741 lb.)
Tipping Load, Straight, With Tire Deflection	12 090 kg (26,654 lb.)
Tipping Load, 37-deg. Partial Turn, No Tire Deflection	10 935 kg (24,108 lb.)
Tipping Load, 40-deg. Full Turn, No Tire Deflection	10 668 kg (23,519 lb.)
Tipping Load, 40-deg. Full Turn, With Tire Deflection	9987 kg (22,018 lb.)
Operating Weight	27 290 kg (60,164 lb.)

Loader operating information is based on machine with identified linkage and standard equipment, PowerTech PSS 6090 (EPA Final Tier 4/EU Stage V) engine, ROPS cab, rear cast bumper/counterweight, transmission side-frame guards, bottom guards, standard tires, full fuel tank, and 79-kg (175 lb.) operator. This information is affected by changes in tires, ballast, and different attachments.

Adjustments to Operating Weights and Tipping Loads With Buckets

Adjustments to operating weights, tipping loads, and tires are based on Standard-Lift machine with pin-on 4.0-m³ (5.25 cu. yd.) general-purpose bucket with bolt-on cutting edge, ROPS cab, rear cast bumper/counterweight, transmission side-frame guards, bottom guards, standard tires, full fuel tank, and 79-kg (175 lb.) operator*

Add (+) or deduct (-) kg (lb.) as indicated for loaders with 3-piece rims	Operating Weight	Tipping Load, Straight	Tipping Load, 37-deg. Partial Turn	Tipping Load, 40-deg. Full Turn	Tread Width	Width Over Tires	Vertical Height
Michelin 26.5 R 25, 2 Star L-3	0 kg (0 lb.)	0 kg (0 lb.)	0 kg (0 lb.)	0 kg (0 lb.)	0 mm (0 in.)	0 mm (0 in.)	0 mm (0 in.)
Titan 26.5 R 25, 1 Star L-3	0 kg (0 lb.)	0 kg (0 lb.)	0 kg (0 lb.)	0 kg (0 lb.)	0 mm (0 in.)	-8 mm (-0.30 in.)	4 mm (0.15 in.)
Goodyear 26.5 R 25, 1 Star L-3	-56 kg (-123 lb.)	-42 kg (-93 lb.)	-38 kg (-84 lb.)	-37 kg (-82 lb.)	0 mm (0 in.)	0 mm (0 in.)	4 mm (0.15 in.)
Firestone 26.5-25, 20-Ply L-3	-360 kg (-794 lb.)	-270 kg (-595 lb.)	-242 kg (-533 lb.)	-238 kg (-525 lb.)	0 mm (0 in.)	-30 mm (-1.18 in.)	+41 mm (+1.61 in.)
Michelin 775/65 R29, 1 Star L-3 [§]	+726 kg (+1,601 lb.)	+544 kg (+1,199 lb.)	+488 kg (+1,076 lb.)	+479 kg (+1,056 lb.)	0 mm (0 in.)	+104 mm (+4.09 in.)	+23 mm (+0.91 in.)
Bridgestone 775/65 R29, 1 Star L-3 [§]	+876 kg (+1,931 lb.)	+656 kg (+1,446 lb.)	+589 kg (+1,299 lb.)	+578 kg (+1,274 lb.)	0 mm (0 in.)	+99 mm (+3.90 in.)	+14 mm (+0.55 in.)
4.2-m ³ (5.5 cu. yd.) General-Purpose Bucket With Wear Liners	+212 kg (+467 lb.)	-211 kg (-465 lb.)	-212 kg (-467 lb.)	-212 kg (-467 lb.)	0 mm (0 in.)	0 mm (0 in.)	0 mm (0 in.)
4.5-m ³ (5.85 cu. yd.) Material-Handling Bucket With Wear Liners	+278 kg (+613 lb.)	-282 kg (-622 lb.)	-283 kg (-624 lb.)	-283 kg (-624 lb.)	0 mm (0 in.)	0 mm (0 in.)	0 mm (0 in.)
High-Lift Boom	+551 kg (+1,215 lb.)	-4120 kg (-9,083 lb.)	-3718 kg (-8,196 lb.)	-3653 kg (-8,053 lb.)	0 mm (0 in.)	0 mm (0 in.)	0 mm (0 in.)

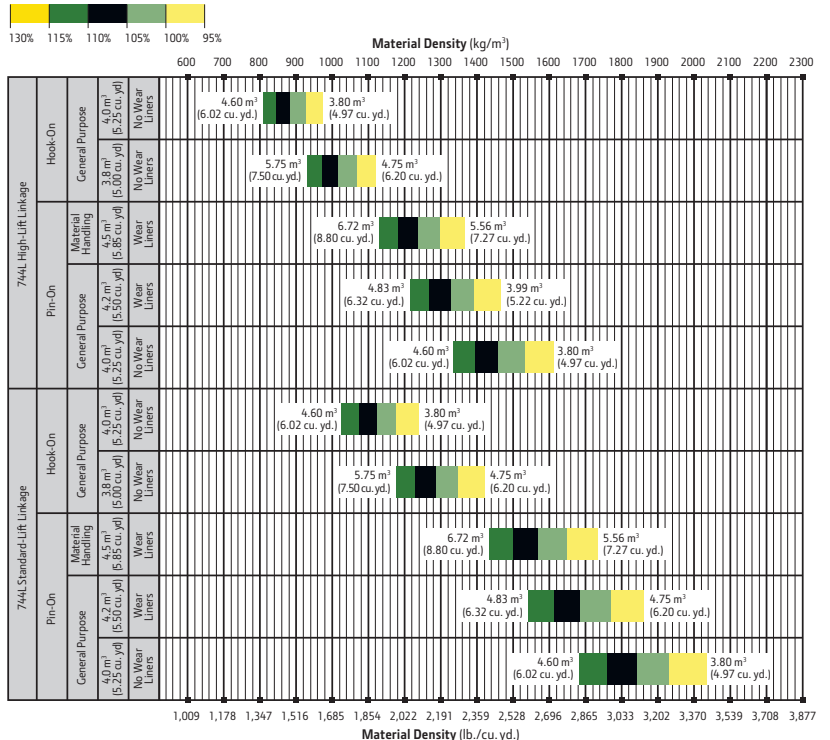
*May change based on vehicle configuration, weight, or tire-pressure adjustments.

[§]Requires 8-deg. rear axle stops.

Bucket Selection Guides

LOOSE MATERIALS	kg/m ³	lb./cu. yd.	LOOSE MATERIALS	kg/m ³	lb./cu. yd.
Chips, pulpwood	288	486	Limestone, coarse, sized	1570	2,646
Cinders (coal, ashes, clinkers)	673	1,134	Limestone, mixed sizes	1682	2,835
Clay and gravel, dry	1602	2,700	Limestone, pulverized or crushed	1362	2,295
Clay, compact, solid	1746	2,943	Sand, damp	2083	3,510
Clay, dry in lump loose	1009	1,701	Sand, dry	1762	2,970
Clay, excavated in water	1282	2,160	Sand, voids, full of water	2083	3,510
Coal, anthracite, broken, loose	865	1,458	Sandstone, quarried	1314	2,214
Coal, bituminous, moderately wet	801	1,350	Shale, broken crushed	1362	2,295
Earth, common loam, dry	1218	2,052	Slag, furnace granulated	1955	3,294
Earth, mud, packed	1843	3,105	Stone or gravel, 37.5 to 87.5-mm (1.5 to 3.5 in.) size	1442	2,430
Granite, broken	1538	2,592	Stone or gravel, 18.75-mm (0.75 in.) size	1602	2,700
Gypsum	2275	3,834			

Bucket Fill Factors





824L SPECIFICATIONS

While general information, pictures, and descriptions are provided, some illustrations and text may include product options and accessories NOT AVAILABLE in all regions, and in some countries products and accessories may require modifications or additions to ensure compliance with the local regulations of those countries.

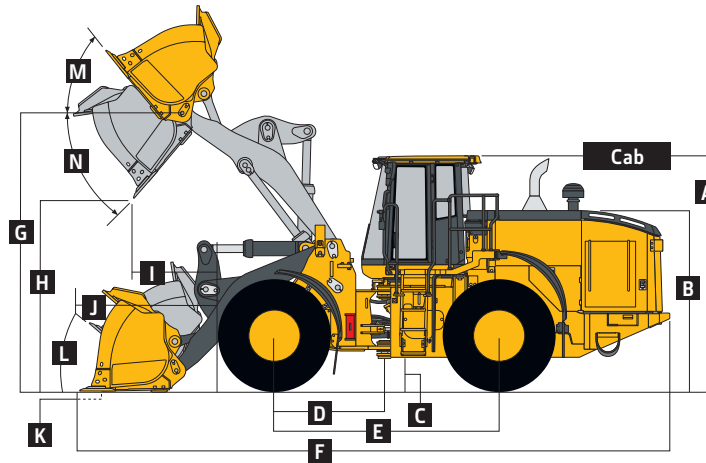
Engine		824L	
Manufacturer and Model	John Deere PowerTech™ PSS 6090	Net Torque Rise	57%
Non-Road Emission Standard	EPA Final Tier 4/EU Stage V	Fuel System	High-pressure common rail
Cylinders	6	Lubrication	Full-flow spin-on filter and integral cooler
Valves per Cylinder	4	Aspiration	Series turbocharged, charge air cooled
Displacement	9.0 L (548 cu. in.)	Air Cleaner	Under-hood, dual-element dry type, restriction indicator in cab monitor for service
Net Peak Power (ISO 9249)	256 kW (343 hp) at 1,600 rpm		
Net Peak Torque (ISO 9249)	1627 Nm (1,200 lb.-ft.) at 1,300 rpm		
Cooling			
Fan Drive	Hydraulically driven, proportionally controlled, fan aft of coolers		
Electrical			
Electrical System	24 volt with 150-amp alternator		
Batteries (2 – 12 volt)	1,400 CCA (each)		
Transmission System			
Type	Countershaft-type PowerShift™ with lockup torque converter		
Torque Converter	Single stage, dual phase with freewheeling stator with lockup clutch		
Shift Control	Electronically modulated, adaptive, load and speed dependent		
Operator Interface	Steering-column or joystick-mounted F-N-R and gear-select lever; Quick-Shift button on hydraulic lever		
Shift Modes	Manual/auto (1st–5th or 2nd–5th); Quick-Shift button with 2 selectable modes: kick-down or kick-up/down; and 4 settings for clutch cutoff		
Maximum Travel Speeds (with 26.5 R 25, 1 Star L3 tires)	<i>Forward</i>	<i>Reverse</i>	
Range 1	7.1 km/h (4.4 mph)	7.1 km/h (4.4 mph)	
Range 2	13.3 km/h (8.3 mph)	13.3 km/h (8.3 mph)	
Range 3	20.3 km/h (12.6 mph)	29.0 km/h (18.0 mph)	
Range 4	29.0 km/h (18.0 mph)	N/A	
Range 5	40.0 km/h (24.9 mph)	N/A	
Axles/Brakes			
Final Drives	Heavy-duty inboard-mounted planetary		
Differentials	Hydraulic locking front with conventional rear – standard; dual locking front and rear – optional		
Rear Axle Oscillation, Stop to Stop (with 26.5 R 25, 1 Star L3 tires)	26 deg. (13 deg. each direction)		
Brakes (conform to ISO 3450)			
Service	Hydraulically actuated, spring released, inboard, sun-gear mounted, pressure oil cooled, self-adjusting, single disc		
Parking	Automatic spring applied, hydraulically released, oil cooled, multi disc		
Tires/Wheels (see page 25 for complete tire adjustments)			
	<i>Tread Width</i>	<i>Width Over Tires</i>	
Michelin 26.5 R 25, 1 Star L3	2298 mm (90.5 in.)	3084 mm (121.4 in.)	
Serviceability			
Refill Capacities			
Fuel Tank With Lockable Cap	477 L (126 gal.)	Transmission Reservoir With Vertical Filter	28 L (29.5 qt.)
Diesel Exhaust Fluid (DEF)	26.3 L (6.9 gal.)	Axle Oil (front and rear, each)	55.3 L (58.4 qt.)
Cooling System	48 L (50.7 qt.)	Hydraulic Reservoir and Filter	142 L (37.5 gal.)
Engine Oil With Vertical Spin-On Filter	34 L (36 qt.)	Park Brake Oil (wet disc)	0.7 L (24 oz.)
Hydraulic System/Steering			
Loader Pumps	2 variable-displacement, load-sensing axial-piston pumps; closed-center system		
Maximum Rated Flow at 6895 kPa (1,000 psi) and 2,250 rpm	484.5 L/m (128 gpm)		
Steering Pump	1 variable-displacement, load-sensing axial-piston pump; closed-center system		
Maximum Rated Flow at 6895 kPa (1,000 psi) and 2,250 rpm	161.5 L/m (43 gpm)		
System Relief Pressure (loader and steering)	24 900 kPa (3,610 psi)		
Loader Controls	2-function valve; single- or dual-lever controls; control lever lockout feature; optional 3rd- and 4th-function valve with auxiliary levers		
Steering (conforms to ISO 5010)			
Type	Power, fully hydraulic		
Articulation Angle	80-deg. arc (40 deg. each direction)		
Turning Radius (measured to centerline of outside tire)	5.92 m (19 ft. 5 in.)		

824L SPECIFICATIONS



While general information, pictures, and descriptions are provided, some illustrations and text may include product options and accessories NOT AVAILABLE in all regions, and in some countries products and accessories may require modifications or additions to ensure compliance with the local regulations of those countries.

Hydraulic System/Steering (continued)		824L
Hydraulic Cycle Times		Standard-Lift
Raise		5.9 sec.
Dump		1.3 sec.
Lower (float down)		2.5 sec.
Total		9.7 sec.



824L STANDARD-LIFT AND HIGH-LIFT LOADERS WITH PIN-ON BUCKET

	Standard-Lift 4.6-m ³ (6.0 cu. yd.) general-purpose			Standard-Lift 4.8-m ³ (6.25 cu. yd.) general-purpose enhanced production			Standard-Lift 5.2-m ³ (6.75 cu. yd.) material-handling enhanced production		High-Lift 4.6-m ³ (6.0 cu. yd.) general-purpose	
Dimensions With Bucket	bolt-on edge	teeth and segments	JAGZ™	bolt-on edge	teeth and segments	JAGZ	bolt-on edge	JAGZ	bolt-on edge	teeth and segments
A Height to Top of Cab	3.57 m (11 ft. 9 in.)	3.57 m (11 ft. 9 in.)	3.57 m (11 ft. 9 in.)	3.57 m (11 ft. 9 in.)	3.57 m (11 ft. 9 in.)	3.57 m (11 ft. 9 in.)	3.57 m (11 ft. 9 in.)	3.57 m (11 ft. 9 in.)	3.57 m (11 ft. 9 in.)	3.57 m (11 ft. 9 in.)
B Hood Height	2.73 m (8 ft. 11 in.)	2.73 m (8 ft. 11 in.)	2.73 m (8 ft. 11 in.)	2.73 m (8 ft. 11 in.)	2.73 m (8 ft. 11 in.)	2.73 m (8 ft. 11 in.)	2.73 m (8 ft. 11 in.)	2.73 m (8 ft. 11 in.)	2.73 m (8 ft. 11 in.)	2.73 m (8 ft. 11 in.)
C Ground Clearance	458 mm (18 in.)	458 mm (18 in.)	458 mm (18 in.)	458 mm (18 in.)	458 mm (18 in.)	458 mm (18 in.)	458 mm (18 in.)	458 mm (18 in.)	458 mm (18 in.)	458 mm (18 in.)
D Length From Centerline to Front Axle	1.70 m (5 ft. 7 in.)	1.70 m (5 ft. 7 in.)	1.70 m (5 ft. 7 in.)	1.70 m (5 ft. 7 in.)	1.70 m (5 ft. 7 in.)	1.70 m (5 ft. 7 in.)	1.70 m (5 ft. 7 in.)	1.70 m (5 ft. 7 in.)	1.70 m (5 ft. 7 in.)	1.70 m (5 ft. 7 in.)
E Wheelbase	3.46 m (11 ft. 4 in.)	3.46 m (11 ft. 4 in.)	3.46 m (11 ft. 4 in.)	3.46 m (11 ft. 4 in.)	3.46 m (11 ft. 4 in.)	3.46 m (11 ft. 4 in.)	3.46 m (11 ft. 4 in.)	3.46 m (11 ft. 4 in.)	3.46 m (11 ft. 4 in.)	3.46 m (11 ft. 4 in.)
F Overall Length, Bucket on Ground	9.28 m (30 ft. 5 in.)	9.49 m (31 ft. 2 in.)	9.28 m (30 ft. 5 in.)	9.38 m (30 ft. 9 in.)	9.59 m (31 ft. 6 in.)	9.37 m (30 ft. 9 in.)	9.44 m (31 ft. 0 in.)	9.44 m (31 ft. 0 in.)	9.78 m (32 ft. 1 in.)	9.99 m (32 ft. 9 in.)
G Height to Hinge Pin, Fully Raised	4.48 m (14 ft. 9 in.)	4.48 m (14 ft. 9 in.)	4.48 m (14 ft. 9 in.)	4.48 m (14 ft. 9 in.)	4.48 m (14 ft. 9 in.)	4.48 m (14 ft. 9 in.)	4.48 m (14 ft. 9 in.)	4.48 m (14 ft. 9 in.)	4.85 m (15 ft. 11 in.)	4.85 m (15 ft. 11 in.)
H Dump Clearance, 45 deg., Full Height	3.19 m (10 ft. 6 in.)	3.06 m (10 ft. 0 in.)	3.20 m (10 ft. 6 in.)	3.12 m (10 ft. 3 in.)	2.98 m (9 ft. 9 in.)	3.13 m (10 ft. 3 in.)	3.08 m (10 ft. 1 in.)	3.08 m (10 ft. 1 in.)	3.64 m (11 ft. 11 in.)	3.51 m (11 ft. 6 in.)
I Reach, 45-deg. Dump, Full Height	1.28 m (4 ft. 2 in.)	1.42 m (4 ft. 8 in.)	1.28 m (4 ft. 2 in.)	1.33 m (4 ft. 4 in.)	1.47 m (4 ft. 10 in.)	1.33 m (4 ft. 4 in.)	1.38 m (4 ft. 6 in.)	1.38 m (4 ft. 6 in.)	1.64 m (5 ft. 5 in.)	1.79 m (5 ft. 10 in.)
J Reach, 45-deg. Dump, 2.13-m (7 ft. 0 in.) Clearance	2.05 m (6 ft. 9 in.)	2.12 m (6 ft. 11 in.)	2.05 m (6 ft. 9 in.)	2.08 m (6 ft. 10 in.)	2.15 m (7 ft. 1 in.)	2.09 m (6 ft. 10 in.)	2.11 m (6 ft. 11 in.)	2.11 m (6 ft. 11 in.)	2.50 m (8 ft. 2 in.)	2.58 m (8 ft. 5 in.)
K Maximum Digging Depth	116 mm (4.6 in.)	135 mm (5.3 in.)	112 mm (4.4 in.)	123 mm (4.8 in.)	143 mm (5.6 in.)	119 mm (4.7 in.)	129 mm (5.1 in.)	129 mm (5.0 in.)	229 mm (9.0 in.)	249 mm (9.8 in.)
L Maximum Rollback at Ground Level	45.4 deg.	45.4 deg.	45.4 deg.	45.4 deg.	45.4 deg.	45.4 deg.	45.4 deg.	45.4 deg.	41.5 deg.	41.5 deg.
M Maximum Rollback, Boom Fully Raised	52.0 deg.	52.0 deg.	52.0 deg.	52.0 deg.	52.0 deg.	52.0 deg.	52.0 deg.	52.0 deg.	53.1 deg.	53.1 deg.
N Maximum Bucket Dump Angle, Fully Raised	44.3 deg.	44.3 deg.	44.3 deg.	44.8 deg.	44.8 deg.	44.8 deg.	44.8 deg.	44.8 deg.	40.0 deg.	40.0 deg.
Loader Clearance Circle, Bucket Carry Position	14.14 m (46 ft. 5 in.)	14.26 m (46 ft. 9 in.)	14.13 m (46 ft. 4 in.)	14.20 m (46 ft. 7 in.)	14.34 m (47 ft. 1 in.)	14.20 m (46 ft. 7 in.)	14.24 m (46 ft. 9 in.)	14.24 m (46 ft. 9 in.)	14.27 m (46 ft. 10 in.)	14.35 m (47 ft. 1 in.)

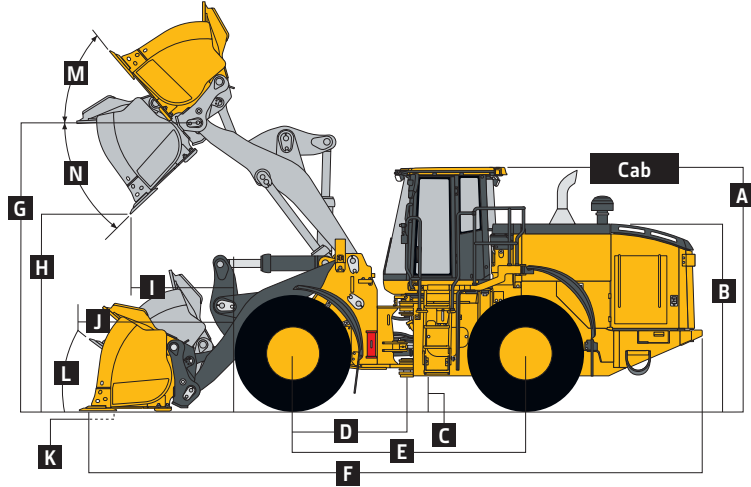
While general information, pictures, and descriptions are provided, some illustrations and text may include product options and accessories NOT AVAILABLE in all regions, and in some countries products and accessories may require modifications or additions to ensure compliance with the local regulations of those countries.

Dimensions and Specifications
With Pin-On Bucket (continued) **824L**

	Standard-Lift	Standard-Lift	Standard-Lift	Standard-Lift	Standard-Lift	Standard-Lift	Standard-Lift	Standard-Lift	Standard-Lift	High-Lift	High-Lift
Specifications With Bucket	4.6-m ³ (6.0 cu. yd.) general-purpose			4.8-m ³ (6.25 cu. yd.) general-purpose enhanced production			5.2-m ³ (6.75 cu. yd.) material-handling enhanced production			4.6-m ³ (6.0 cu. yd.) general-purpose	
Cutting Edge Type	bolt-on edge	teeth and segments	JAGZ	bolt-on edge	teeth and segments	JAGZ	bolt-on edge	JAGZ	bolt-on edge	teeth and segments	
Capacity, Heaped	4.6 m ³ (6.0 cu. yd.)	4.6 m ³ (6.0 cu. yd.)	4.6 m ³ (6.0 cu. yd.)	4.8 m ³ (6.25 cu. yd.)	4.8 m ³ (6.25 cu. yd.)	4.8 m ³ (6.25 cu. yd.)	5.2 m ³ (6.75 cu. yd.)	5.2 m ³ (6.75 cu. yd.)	4.6 m ³ (6.0 cu. yd.)	4.6 m ³ (6.0 cu. yd.)	
Capacity, Heaped at 110% Fill Factor	5.1 m ³ (6.6 cu. yd.)	5.1 m ³ (6.6 cu. yd.)	5.1 m ³ (6.6 cu. yd.)	5.3 m ³ (6.88 cu. yd.)	5.3 m ³ (6.88 cu. yd.)	5.3 m ³ (6.88 cu. yd.)	5.7 m ³ (7.43 cu. yd.)	5.7 m ³ (7.43 cu. yd.)	5.1 m ³ (6.6 cu. yd.)	5.1 m ³ (6.6 cu. yd.)	
Capacity, Struck	4.0 m ³ (5.25 cu. yd.)	4.0 m ³ (5.25 cu. yd.)	4.0 m ³ (5.25 cu. yd.)	4.1 m ³ (5.36 cu. yd.)	4.1 m ³ (5.36 cu. yd.)	4.1 m ³ (5.36 cu. yd.)	4.4 m ³ (5.8 cu. yd.)	4.4 m ³ (5.8 cu. yd.)	4.0 m ³ (5.25 cu. yd.)	4.0 m ³ (5.25 cu. yd.)	
Bucket Weight With Bolt-On Cutting Edge	2872 kg (6,146 lb.)	2956 kg (6,517 lb.)	2880 kg (6,349 lb.)	3009 kg (6,634 lb.)	3141 kg (6,927 lb.)	3032 kg (6,684 lb.)	3073 kg (6,775 lb.)	3096 kg (6,826 lb.)	2872 kg (6,146 lb.)	2956 kg (6,517 lb.)	
Bucket Width	3.28 m (10 ft. 9 in.)	3.31 m (10 ft. 10 in.)	3.28 m (10 ft. 9 in.)	3.28 m (10 ft. 9 in.)	3.31 m (10 ft. 10 in.)	3.28 m (10 ft. 9 in.)	3.28 m (10 ft. 9 in.)	3.28 m (10 ft. 9 in.)	3.28 m (10 ft. 9 in.)	3.28 m (10 ft. 9 in.)	
Breakout Force	18 720 kg (41,270 lb.)	16 536 kg (36,456 lb.)	18 736 kg (41,306 lb.)	17 570 kg (38,735 lb.)	15 564 kg (34,313 lb.)	17 592 kg (38,784 lb.)	16 842 kg (37,130 lb.)	16 860 kg (37,170 lb.)	17 534 kg (38,655 lb.)	17 437 kg (38,443 lb.)	
Tipping Load, Straight, No Tire Deflection	20 448 kg (45,080 lb.)	20 331 kg (44,822 lb.)	20 438 kg (45,058 lb.)	19 956 kg (43,995 lb.)	19 778 kg (43,603 lb.)	19 927 kg (43,931 lb.)	19 777 kg (43,601 lb.)	19 747 kg (43,535 lb.)	17 175 kg (37,864 lb.)	17 064 kg (37,620 lb.)	
Tipping Load, Straight, With Tire Deflection	19 059 kg (42,018 lb.)	18 945 kg (41,767 lb.)	19 050 kg (41,998 lb.)	18 600 kg (41,006 lb.)	18 423 kg (40,616 lb.)	18 570 kg (40,940 lb.)	18 420 kg (40,609 lb.)	18 393 kg (40,550 lb.)	16 098 kg (35,490 lb.)	15 987 kg (35,245 lb.)	
Tipping Load, 37-deg. Partial Turn	17 915 kg (39,496 lb.)	17 798 kg (39,238 lb.)	17 904 kg (39,472 lb.)	17 465 kg (38,504 lb.)	17 286 kg (38,109 lb.)	17 436 kg (38,440 lb.)	17 298 kg (38,136 lb.)	17 268 kg (38,069 lb.)	14 972 kg (33,008 lb.)	14 860 kg (32,761 lb.)	
Tipping Load, 40-deg. Full Turn, No Tire Deflection	17 505 kg (38,592 lb.)	17 388 kg (38,334 lb.)	17 494 kg (38,568 lb.)	17 061 kg (37,613 lb.)	16 883 kg (37,221 lb.)	17 032 kg (37,549 lb.)	16 896 kg (37,249 lb.)	16 867 kg (37,185 lb.)	14 615 kg (32,221 lb.)	14 504 kg (31,976 lb.)	
Tipping Load, 40-deg. Full Turn, With Tire Deflection	15 705 kg (34,624 lb.)	15 591 kg (34,372 lb.)	15 693 kg (34,597 lb.)	15 297 kg (33,724 lb.)	15 120 kg (33,334 lb.)	15 267 kg (33,658 lb.)	15 132 kg (33,360 lb.)	15 105 kg (33,301 lb.)	13 191 kg (29,081 lb.)	13 080 kg (28,836 lb.)	
Rated Operating Load, 50% Full-Turn Tipping Load, With Tire Deflection (conforms to ISO 14397-1)*	7853 kg (17,313 lb.)	7796 kg (17,187 lb.)	7847 kg (17,300 lb.)	7649 kg (16,863 lb.)	7560 kg (16,667 lb.)	7634 kg (16,830 lb.)	7566 kg (16,680 lb.)	7553 kg (16,651 lb.)	6596 kg (14,542 lb.)	6540 kg (14,418 lb.)	
Operating Weight	27 508 kg (60,645 lb.)	27 592 kg (60,830 lb.)	27 517 kg (60,665 lb.)	27 646 kg (60,949 lb.)	27 777 kg (61,238 lb.)	27 669 kg (61,000 lb.)	27 709 kg (61,088 lb.)	27 733 kg (61,141 lb.)	27 895 kg (61,498 lb.)	27 980 kg (61,685 lb.)	

Loader operating information is based on machine with identified linkage and standard equipment, PowerTech PSS 6090 (EPA Final Tier 4/EU Stage V) engine, ROPS cab, rear cast bumper/counterweight, transmission side-frame guards, bottom guards, standard tires, full fuel tank, and 79-kg (175 lb.) operator. This information is affected by changes in tires, ballast, and different attachments.
 *Rated operating capacity based on Deere attachments only.

Dimensions and Specifications With Coupler and Hook-On Bucket



824L STANDARD-LIFT AND HIGH-LIFT LOADERS WITH COUPLER AND HOOK-ON BUCKET

	Standard-Lift	Standard-Lift	Standard-Lift	Standard-Lift	Standard-Lift	Standard-Lift	Standard-Lift	Standard-Lift	Standard-Lift	Standard-Lift	Standard-Lift	High-Lift	
Dimensions With Bucket	3.8-m ³ (5.0 cu. yd.) general-purpose (GP) enhanced production (EP)			4.0-m ³ (5.25 cu. yd.) general-purpose (GP) enhanced production (EP)			4.4-m ³ (5.75 cu. yd.) general-purpose (GP) enhanced production (EP)			4.6-m ³ (6.0 cu. yd.) general-purpose (GP) enhanced production (EP)			4.4-m ³ (5.75 cu. yd.) GP EP
Cutting Edge Type	bolt-on edge	teeth and segments	JAGZ	bolt-on edge	teeth and segments	JAGZ	bolt-on edge	teeth and segments	JAGZ	bolt-on edge	teeth and segments	JAGZ	bolt-on edge
A Height to Top of Cab	3.57 m (11 ft. 9 in.)	3.57 m (11 ft. 9 in.)	3.57 m (11 ft. 9 in.)	3.57 m (11 ft. 9 in.)	3.57 m (11 ft. 9 in.)	3.57 m (11 ft. 9 in.)	3.57 m (11 ft. 9 in.)	3.57 m (11 ft. 9 in.)	3.57 m (11 ft. 9 in.)	3.57 m (11 ft. 9 in.)	3.57 m (11 ft. 9 in.)	3.57 m (11 ft. 9 in.)	3.57 m (11 ft. 9 in.)
B Hood Height	2.73 m (8 ft. 11 in.)	2.73 m (8 ft. 11 in.)	2.73 m (8 ft. 11 in.)	2.73 m (8 ft. 11 in.)	2.73 m (8 ft. 11 in.)	2.73 m (8 ft. 11 in.)	2.73 m (8 ft. 11 in.)	2.73 m (8 ft. 11 in.)	2.73 m (8 ft. 11 in.)	2.73 m (8 ft. 11 in.)	2.73 m (8 ft. 11 in.)	2.73 m (8 ft. 11 in.)	2.73 m (8 ft. 11 in.)
C Ground Clearance	458 mm (18 in.)	458 mm (18 in.)	458 mm (18 in.)	458 mm (18 in.)	458 mm (18 in.)	458 mm (18 in.)	458 mm (18 in.)	458 mm (18 in.)	458 mm (18 in.)	458 mm (18 in.)	458 mm (18 in.)	458 mm (18 in.)	458 mm (18 in.)

While general information, pictures, and descriptions are provided, some illustrations and text may include product options and accessories NOT AVAILABLE in all regions, and in some countries products and accessories may require modifications or additions to ensure compliance with the local regulations of those countries.

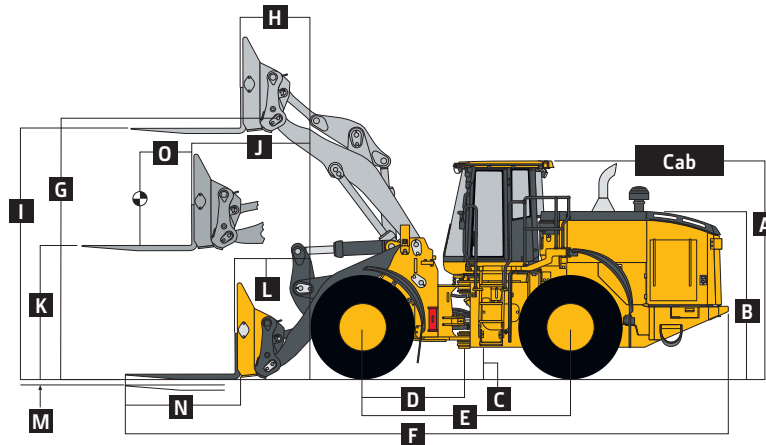
Dimensions and Specifications With Coupler and Hook-On Bucket (continued) **824L**

	Standard-Lift	Standard-Lift	Standard-Lift	Standard-Lift	Standard-Lift	Standard-Lift	Standard-Lift	Standard-Lift	Standard-Lift	Standard-Lift	Standard-Lift	Standard-Lift	High-Lift 4.4-m ³ (5.75 cu. yd.) GP EP
Dimensions With Bucket (continued)	3.8-m ³ (5.0 cu. yd.) general-purpose (GP) enhanced production (EP)			4.0-m ³ (5.25 cu. yd.) general-purpose (GP) enhanced production (EP)			4.4-m ³ (5.75 cu. yd.) general-purpose (GP) enhanced production (EP)			4.6-m ³ (6.0 cu. yd.) general-purpose (GP) enhanced production (EP)			4.4-m ³ (5.75 cu. yd.) GP EP
Cutting Edge Type	bolt-on edge		teeth and segments		JAGZ		bolt-on edge		teeth and segments		JAGZ		bolt-on edge
D Length From Centerline to Front Axle	1.70 m (5 ft. 7 in.)	1.70 m (5 ft. 7 in.)	1.70 m (5 ft. 7 in.)	1.70 m (5 ft. 7 in.)	1.70 m (5 ft. 7 in.)	1.70 m (5 ft. 7 in.)	1.70 m (5 ft. 7 in.)	1.70 m (5 ft. 7 in.)	1.70 m (5 ft. 7 in.)	1.70 m (5 ft. 7 in.)	1.70 m (5 ft. 7 in.)	1.70 m (5 ft. 7 in.)	1.70 m (5 ft. 7 in.)
E Wheelbase	3.46 m (11 ft. 4 in.)	3.46 m (11 ft. 4 in.)	3.46 m (11 ft. 4 in.)	3.46 m (11 ft. 4 in.)	3.46 m (11 ft. 4 in.)	3.46 m (11 ft. 4 in.)	3.46 m (11 ft. 4 in.)	3.46 m (11 ft. 4 in.)	3.46 m (11 ft. 4 in.)	3.46 m (11 ft. 4 in.)	3.46 m (11 ft. 4 in.)	3.46 m (11 ft. 4 in.)	3.46 m (11 ft. 4 in.)
F Overall Length, Bucket on Ground	9.30 m (30 ft. 6 in.)	9.51 m (31 ft. 3 in.)	9.30 m (30 ft. 6 in.)	9.32 m (30 ft. 7 in.)	9.53 m (31 ft. 3 in.)	9.31 m (30 ft. 7 in.)	9.41 m (30 ft. 11 in.)	9.62 m (31 ft. 7 in.)	9.40 m (30 ft. 10 in.)	9.46 m (31 ft. 1 in.)	9.67 m (31 ft. 9 in.)	9.46 m (31 ft. 1 in.)	9.91 m (32 ft. 6 in.)
G Height to Hinge Pin, Fully Raised	4.48 m (14 ft. 9 in.)	4.48 m (14 ft. 9 in.)	4.48 m (14 ft. 9 in.)	4.48 m (14 ft. 9 in.)	4.48 m (14 ft. 9 in.)	4.48 m (14 ft. 9 in.)	4.48 m (14 ft. 9 in.)	4.48 m (14 ft. 9 in.)	4.48 m (14 ft. 9 in.)	4.85 m (15 ft. 11 in.)	4.85 m (15 ft. 11 in.)	4.85 m (15 ft. 11 in.)	4.48 m (14 ft. 9 in.)
H Dump Clearance, 45 deg., Full Height	3.17 m (10 ft. 5 in.)	3.03 m (9 ft. 11 in.)	3.18 m (10 ft. 5 in.)	3.16 m (10 ft. 5 in.)	3.02 m (9 ft. 11 in.)	3.17 m (10 ft. 5 in.)	3.10 m (10 ft. 2 in.)	2.96 m (9 ft. 9 in.)	3.11 m (10 ft. 2 in.)	3.07 m (10 ft. 1 in.)	2.93 m (9 ft. 7 in.)	3.07 m (10 ft. 1 in.)	3.57 m (11 ft. 9 in.)
I Reach, 45-deg. Dump, Full Height	1.32 m (4 ft. 4 in.)	1.45 m (4 ft. 9 in.)	1.32 m (4 ft. 4 in.)	1.32 m (4 ft. 4 in.)	1.46 m (4 ft. 9 in.)	1.32 m (4 ft. 4 in.)	1.39 m (4 ft. 7 in.)	1.52 m (5 ft. 0 in.)	1.39 m (4 ft. 7 in.)	1.41 m (4 ft. 8 in.)	1.55 m (5 ft. 1 in.)	1.41 m (4 ft. 8 in.)	1.77 m (5 ft. 10 in.)
J Reach, 45-deg. Dump, 2.13-m (7 ft. 0 in.) Clearance	2.10 m (6 ft. 11 in.)	2.17 m (7 ft. 1 in.)	2.10 m (6 ft. 11 in.)	2.10 m (6 ft. 11 in.)	2.17 m (7 ft. 1 in.)	2.10 m (6 ft. 11 in.)	2.14 m (7 ft. 0 in.)	2.20 m (7 ft. 3 in.)	2.14 m (7 ft. 0 in.)	2.15 m (7 ft. 1 in.)	2.21 m (7 ft. 3 in.)	2.15 m (7 ft. 1 in.)	2.59 m (8 ft. 6 in.)
K Maximum Digging Depth	85 mm (3.3 in.)	105 mm (4.1 in.)	82 mm (3.2 in.)	90 mm (3.6 in.)	110 mm (4.3 in.)	87 mm (3.4 in.)	94 mm (3.7 in.)	114 mm (4.5 in.)	92 mm (3.6 in.)	106 mm (4.1 in.)	124 mm (4.9 in.)	101 mm (4.0 in.)	208 mm (8.2 in.)
L Maximum Rollback at Ground Level	45.4 deg.	45.4 deg.	45.4 deg.	45.4 deg.	45.4 deg.	45.4 deg.	45.4 deg.	45.4 deg.	45.4 deg.	45.4 deg.	45.4 deg.	45.4 deg.	41.6 deg.
M Maximum Rollback, Boom Fully Raised	52.0 deg.	52.0 deg.	52.0 deg.	52.0 deg.	52.0 deg.	52.0 deg.	52.0 deg.	52.0 deg.	52.0 deg.	52.0 deg.	52.0 deg.	52.0 deg.	53.1 deg.
N Maximum Bucket Dump Angle, Fully Raised	44.0 deg.	44.0 deg.	44.0 deg.	44.0 deg.	44.0 deg.	44.0 deg.	44.0 deg.	44.0 deg.	44.0 deg.	44.0 deg.	44.0 deg.	44.0 deg.	40.0 deg.
Loader Clearance Circle, Bucket Carry Position	14.15 m (46 ft. 5 in.)	14.31 m (46 ft. 11 in.)	14.16 m (46 ft. 5 in.)	14.16 m (46 ft. 5 in.)	14.32 m (47 ft. 0 in.)	14.16 m (46 ft. 6 in.)	14.21 m (46 ft. 8 in.)	14.37 m (47 ft. 2 in.)	14.22 m (46 ft. 8 in.)	14.24 m (46 ft. 9 in.)	14.40 m (47 ft. 3 in.)	14.24 m (46 ft. 9 in.)	14.40 m (47 ft. 3 in.)
Specifications With Bucket													
Capacity, Heaped	3.8 m ³ (5.0 cu. yd.)	3.8 m ³ (5.0 cu. yd.)	3.8 m ³ (5.0 cu. yd.)	4.0 m ³ (5.25 cu. yd.)	4.0 m ³ (5.25 cu. yd.)	4.0 m ³ (5.25 cu. yd.)	4.4 m ³ (5.75 cu. yd.)	4.4 m ³ (5.75 cu. yd.)	4.4 m ³ (5.75 cu. yd.)	4.6 m ³ (6.0 cu. yd.)	4.6 m ³ (6.0 cu. yd.)	4.6 m ³ (6.0 cu. yd.)	4.4 m ³ (5.75 cu. yd.)
Capacity, Heaped at 110% Fill Factor	4.2 m ³ (5.5 cu. yd.)	4.2 m ³ (5.5 cu. yd.)	4.2 m ³ (5.5 cu. yd.)	4.4 m ³ (5.75 cu. yd.)	4.4 m ³ (5.75 cu. yd.)	4.4 m ³ (5.75 cu. yd.)	4.8 m ³ (6.33 cu. yd.)	4.8 m ³ (6.33 cu. yd.)	4.8 m ³ (6.33 cu. yd.)	4.6 m ³ (6.0 cu. yd.)	4.6 m ³ (6.0 cu. yd.)	4.6 m ³ (6.0 cu. yd.)	4.8 m ³ (6.33 cu. yd.)
Capacity, Struck	3.25 m ³ (4.25 cu. yd.)	3.25 m ³ (4.25 cu. yd.)	3.25 m ³ (4.25 cu. yd.)	3.4 m ³ (4.5 cu. yd.)	3.4 m ³ (4.5 cu. yd.)	3.4 m ³ (4.5 cu. yd.)	3.8 m ³ (4.97 cu. yd.)	3.8 m ³ (4.97 cu. yd.)	3.8 m ³ (4.97 cu. yd.)	4.0 m ³ (5.25 cu. yd.)	4.0 m ³ (5.25 cu. yd.)	4.0 m ³ (5.25 cu. yd.)	3.8 m ³ (4.97 cu. yd.)
Bucket Weight With Bolt-On Cutting Edge	2499 kg (5,509 lb.)	2625 kg (5,788 lb.)	2522 kg (5,560 lb.)	2586 kg (5,701 lb.)	2712 kg (5,980 lb.)	2609 kg (5,752 lb.)	2672 kg (5,890 lb.)	2735 kg (6,031 lb.)	2695 kg (5,941 lb.)	2730 kg (6,019 lb.)	2857 kg (6,298 lb.)	2753 kg (6,070 lb.)	2672 kg (5,890 lb.)
Bucket Width	3.28 m (10 ft. 9 in.)	3.31 m (10 ft. 10 in.)	3.28 m (10 ft. 9 in.)	3.28 m (10 ft. 9 in.)	3.31 m (10 ft. 10 in.)	3.28 m (10 ft. 9 in.)	3.28 m (10 ft. 9 in.)	3.31 m (10 ft. 10 in.)	3.28 m (10 ft. 9 in.)	3.28 m (10 ft. 9 in.)	3.31 m (10 ft. 10 in.)	3.28 m (10 ft. 9 in.)	3.28 m (10 ft. 9 in.)
Breakout Force	18 001 kg (39,685 lb.)	15 908 kg (35,071 lb.)	18 025 kg (39,738 lb.)	17 834 kg (39,317 lb.)	15 767 kg (34,760 lb.)	17 856 kg (39,366 lb.)	16 768 kg (36,967 lb.)	14 905 kg (32,860 lb.)	16 787 kg (37,009 lb.)	16 266 kg (35,860 lb.)	14 494 kg (31,954 lb.)	16 283 kg (35,898 lb.)	15 681 kg (34,571 lb.)
Tipping Load, Straight, No Tire Deflection	19 243 kg (42,424 lb.)	19 076 kg (42,055 lb.)	19 215 kg (42,362 lb.)	19 252 kg (42,443 lb.)	19 085 kg (42,075 lb.)	19 224 kg (42,382 lb.)	19 021 kg (41,934 lb.)	18 851 kg (41,559 lb.)	18 992 kg (41,870 lb.)	18 782 kg (41,407 lb.)	18 612 kg (41,032 lb.)	18 753 kg (41,343 lb.)	16 015 kg (35,307 lb.)
Tipping Load, Straight, With Tire Deflection	17 919 kg (39,505 lb.)	17 754 kg (39,141 lb.)	17 892 kg (39,445 lb.)	17 919 kg (39,505 lb.)	17 754 kg (39,141 lb.)	17 892 kg (39,445 lb.)	17 691 kg (39,002 lb.)	17 526 kg (38,638 lb.)	17 664 kg (38,942 lb.)	17 463 kg (38,499 lb.)	17 295 kg (38,129 lb.)	17 433 kg (38,433 lb.)	14 961 kg (32,983 lb.)
Tipping Load, 37-deg. Partial Turn	16 809 kg (37,057 lb.)	16 642 kg (36,689 lb.)	16 781 kg (36,996 lb.)	16 808 kg (37,055 lb.)	16 641 kg (36,687 lb.)	16 780 kg (36,994 lb.)	16 592 kg (36,579 lb.)	16 422 kg (36,204 lb.)	16 563 kg (36,515 lb.)	16 375 kg (36,101 lb.)	16 205 kg (35,726 lb.)	16 346 kg (36,037 lb.)	13 885 kg (30,611 lb.)
Tipping Load, 40-deg. Full Turn, No Tire Deflection	16 415 kg (36,189 lb.)	16 248 kg (35,821 lb.)	16 387 kg (36,127 lb.)	16 412 kg (36,182 lb.)	16 245 kg (35,814 lb.)	16 385 kg (36,123 lb.)	16 199 kg (35,713 lb.)	16 029 kg (35,338 lb.)	16 170 kg (35,649 lb.)	15 985 kg (35,241 lb.)	15 815 kg (34,866 lb.)	15 957 kg (35,179 lb.)	13 540 kg (29,851 lb.)
Tipping Load, 40-deg. Full Turn, With Tire Deflection	14 688 kg (32,381 lb.)	14 526 kg (32,024 lb.)	14 661 kg (32,322 lb.)	14 676 kg (32,355 lb.)	14 511 kg (31,991 lb.)	14 649 kg (32,295 lb.)	14 466 kg (31,892 lb.)	14 301 kg (31,528 lb.)	14 439 kg (31,833 lb.)	14 262 kg (31,442 lb.)	14 097 kg (31,079 lb.)	14 235 kg (31,383 lb.)	12 144 kg (26,773 lb.)
Rated Operating Load, 50% Full-Turn Tipping Load, With Tire Deflection (conforms to ISO 14397-1)*	7344 kg (16,191 lb.)	7263 kg (16,012 lb.)	7331 kg (16,162 lb.)	7338 kg (16,178 lb.)	7256 kg (15,997 lb.)	7325 kg (16,149 lb.)	7233 kg (15,946 lb.)	7151 kg (15,765 lb.)	7220 kg (15,917 lb.)	7131 kg (15,721 lb.)	7049 kg (15,540 lb.)	7118 kg (15,692 lb.)	6072 kg (13,386 lb.)
Operating Weight	27 966 kg (61,654 lb.)	28 093 kg (61,934 lb.)	27 990 kg (61,707 lb.)	28 051 kg (61,842 lb.)	28 177 kg (62,120 lb.)	28 074 kg (61,893 lb.)	28 139 kg (62,036 lb.)	28 266 kg (62,316 lb.)	28 163 kg (62,089 lb.)	28 195 kg (62,159 lb.)	28 322 kg (62,439 lb.)	28 219 kg (62,212 lb.)	28 527 kg (62,891 lb.)

Loader operating information is based on machine with identified linkage and standard equipment, PowerTech PSS 6090 (EPA Final Tier 4/EU Stage V) engine, ROPS cab, rear cast bumper/counterweight, transmission side-frame guards, bottom guards, standard tires, full fuel tank, and 79-kg (175 lb.) operator. This information is affected by changes in tires, ballast, and different attachments.

*Rated operating capacity based on Deere attachments only.

Dimensions and Specifications With Coupler and Hook-On Construction Forks 824L



824L STANDARD-LIFT AND HIGH-LIFT LOADERS WITH HOOK-ON CONSTRUCTION FORKS

	<i>Standard-Lift</i>	<i>Standard-Lift</i>	<i>High-Lift</i>
Dimensions With Forks	<i>1.83-m (72 in.) tine length</i>	<i>2.44-m (96 in.) tine length</i>	<i>1.83-m (72 in.) tine length</i>
A Height to Top of Cab	3.57 m (11 ft. 9 in.)	3.57 m (11 ft. 9 in.)	3.57 m (11 ft. 9 in.)
B Hood Height	2.73 m (8 ft. 11 in.)	2.73 m (8 ft. 11 in.)	2.73 m (8 ft. 11 in.)
C Ground Clearance	458 mm (18 in.)	458 mm (18 in.)	458 mm (18 in.)
D Length From Centerline to Front Axle	1.70 m (5 ft. 7 in.)	1.70 m (5 ft. 7 in.)	1.70 m (5 ft. 7 in.)
E Wheelbase	3.46 m (11 ft. 4 in.)	3.46 m (11 ft. 4 in.)	3.46 m (11 ft. 4 in.)
F Overall Length, Forks on Ground	9.96 m (32 ft. 8 in.)	10.57 m (34 ft. 8 in.)	10.49 m (34 ft. 5 in.)
G Height to Hinge Pin, Fully Raised	4.48 m (14 ft. 9 in.)	4.48 m (14 ft. 9 in.)	4.48 m (14 ft. 9 in.)
H Reach, Fully Raised	0.81 m (32 in.)	0.81 m (32 in.)	1.05 m (3 ft. 5 in.)
I Fork Height, Fully Raised	3.45 m (11 ft. 4 in.)	3.45 m (11 ft. 4 in.)	3.79 m (12 ft. 5 in.)
J Maximum Reach, Fork Level	1.87 m (6 ft. 2 in.)	1.87 m (6 ft. 2 in.)	2.29 m (7 ft. 6 in.)
K Fork Height, Maximum Reach	1.29 m (4 ft. 3 in.)	1.29 m (4 ft. 3 in.)	1.29 m (4 ft. 3 in.)
L Reach, Ground Level	1.14 m (3 ft. 9 in.)	1.14 m (3 ft. 9 in.)	1.67 m (5 ft. 6 in.)
M Depth Below Ground	55 mm (2.2 in.)	55 mm (2.2 in.)	59 mm (2.3 in.)
N Tine Length	1.83 m (72 in.)	2.44 m (96 in.)	1.83 m (72 in.)
O Load Position, 50% Tine Length	0.92 m (36 in.)	1.22 m (48 in.)	0.92 m (36 in.)
Specifications With Forks			
Tipping Load, Straight, No Tire Deflection	13 722 kg (30,252 lb.)	12 481 kg (27,516 lb.)	11 942 kg (26,328 lb.)
Tipping Load, Straight, With Tire Deflection	13 290 kg (29,299 lb.)	12 105 kg (26,687 lb.)	11 583 kg (25,536 lb.)
Tipping Load, 37-deg. Partial Turn, No Tire Deflection	12 056 kg (26,579 lb.)	10 942 kg (24,123 lb.)	10 445 kg (23,027 lb.)
Tipping Load, 40-deg. Full Turn, No Tire Deflection	11 786 kg (25,984 lb.)	10 693 kg (23,574 lb.)	10 203 kg (22,494 lb.)
Tipping Load, 40-deg. Full Turn, With Tire Deflection	11 187 kg (24,663 lb.)	10 167 kg (22,414 lb.)	9699 kg (21,383 lb.)
Rated Operating Load, 50% Full-Turn Tipping Load, With Tire Deflection (conforms to ISO 14397-1)*	5594 kg (12,333 lb.)	5084 kg (11,208 lb.)	4850 kg (10,692 lb.)
Rated Operating Load, Rough Terrain, 60% Full-Turn Tipping Load, With Tire Deflection (conforms to EN474-3)*	6712 kg (14,798 lb.)	6100 kg (13,449 lb.)	5819 kg (12,830 lb.)
Rated Operating Load, Firm and Level Ground, 80% Full-Turn Tipping Load, With Tire Deflection (conforms to EN474-3)*	8950 kg (19,730 lb.)	8134 kg (17,931 lb.)	7759 kg (17,106 lb.)
Operating Weight	26 899 kg (59,302 lb.)	27 071 kg (59,681 lb.)	27 286 kg (60,155 lb.)

Loader operating information is based on machine with identified linkage and standard equipment, PowerTech PSS 6090 (EPA Final Tier 4/EU Stage V) engine, ROPS cab, rear cast bumper/counterweight, transmission side-frame guards, bottom guards, standard tires, full fuel tank, and 79-kg (175 lb.) operator. This information is affected by changes in tires, ballast, and different attachments.

**Rated operating capacity based on Deere attachments only.*

While general information, pictures, and descriptions are provided, some illustrations and text may include product options and accessories NOT AVAILABLE in all regions, and in some countries products and accessories may require modifications or additions to ensure compliance with the local regulations of those countries.

Adjustments to Operating Weights and Tipping Loads With Buckets

824L

Adjustments to operating weights, tipping loads, and tires are based on Standard-Lift machine with pin-on 4.6-m³ (6.0 cu. yd.) general-purpose bucket with bolt-on cutting edge, ROPS cab, rear cast bumper/counterweight, transmission side-frame guards, bottom guards, standard tires, full fuel tank, and 79-kg (175 lb.) operator*

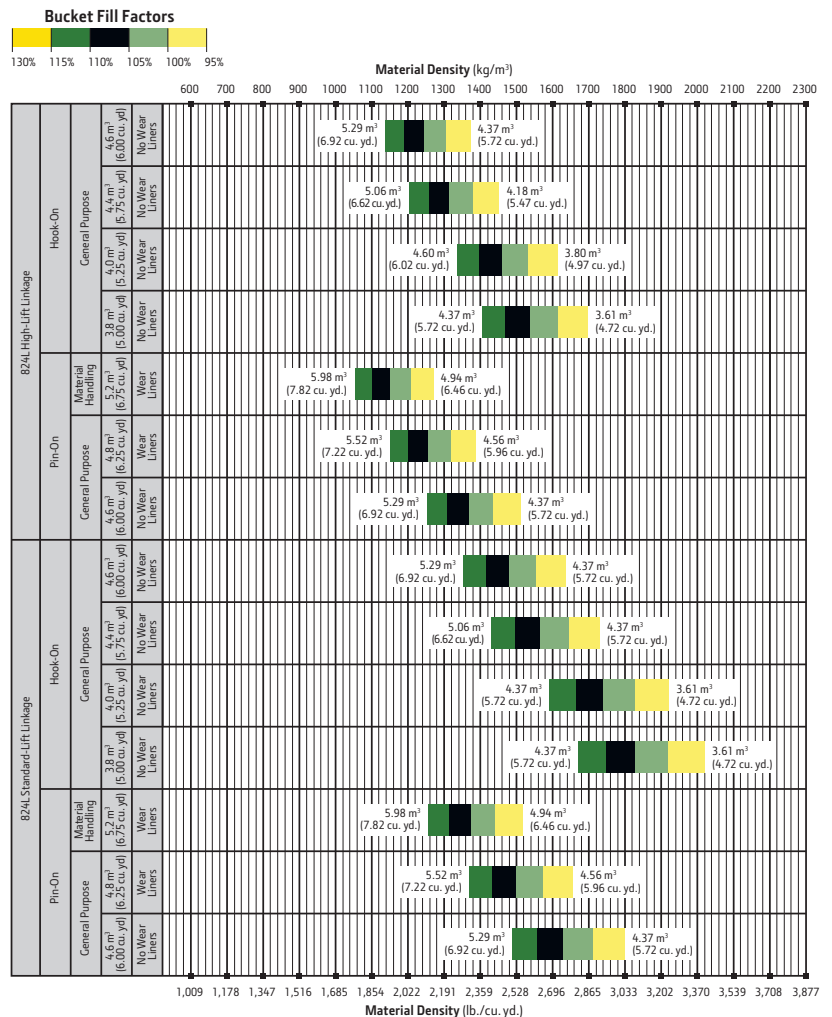
Add (+) or deduct (-) kg (lb.) as indicated for loaders with 3-piece rims	Operating Weight	Tipping Load,			Tread Width	Width Over Tires	Vertical Height
		Straight	37-deg. Partial Turn	40-deg. Full Turn			
Michelin 26.5 R 25, 2 Star L-3	0 kg (0 lb.)	0 kg (0 lb.)	0 kg (0 lb.)	0 kg (0 lb.)	0 mm (0 in.)	0 mm (0 in.)	0 mm (0 in.)
Titan 26.5 R 25, 1 Star L-3	0 kg (0 lb.)	0 kg (0 lb.)	0 kg (0 lb.)	0 kg (0 lb.)	0 mm (0 in.)	-7 mm (-0.27 in.)	+4 mm (+0.16 in.)
Goodyear 26.5 R 25, 1 Star L-3	-56 kg (-123 lb.)	-40 kg (-88 lb.)	-36 kg (-79 lb.)	-35 kg (-77 lb.)	0 mm (0 in.)	+1 mm (+0.04 in.)	+4 mm (+0.16 in.)
Firestone 26.5-25, 20-Ply L-3	-360 kg (-794 lb.)	-256 kg (-565 lb.)	-230 kg (-507 lb.)	-226 kg (-498 lb.)	0 mm (0 in.)	-28 mm (-1.10 in.)	+39 mm (+1.53 in.)
Firestone 26.5-25, 20-Ply L-5 [§]	+312 kg (+688 lb.)	+222 kg (+490 lb.)	+199 kg (+440 lb.)	+196 kg (+432 lb.)	0 mm (0 in.)	-18 mm (-0.70 in.)	+63 mm (+2.48 in.)
Michelin 775/65 R29, 1 Star L-3 [§]	+726 kg (+1,601 lb.)	+517 kg (+1,140 lb.)	+464 kg (+1,023 lb.)	+456 kg (+1,005 lb.)	0 mm (0 in.)	+104 mm (+4.09 in.)	+23 mm (+0.91 in.)
Bridgestone 775/65 R29, 1 Star L-3 [§]	+876 kg (+1,931 lb.)	+624 kg (+1,376 lb.)	+560 kg (+1,235 lb.)	+578 kg (+1,274 lb.)	0 mm (0 in.)	+99 mm (+3.90 in.)	+14 mm (+0.55 in.)
4.8-m ³ (6.25 cu. yd.) General-Purpose Bucket With Wear Liners	+238 kg (+525 lb.)	-246 kg (-542 lb.)	-247 kg (-545 lb.)	-247 kg (-545 lb.)	0 mm (0 in.)	0 mm (0 in.)	0 mm (0 in.)
5.2-m ³ (6.75 cu. yd.) Material-Handling Bucket With Wear Liners	+238 kg (+525 lb.)	-246 kg (-542 lb.)	-247 kg (-545 lb.)	-247 kg (-545 lb.)	0 mm (0 in.)	0 mm (0 in.)	0 mm (0 in.)
High-Lift Boom	+387 kg (+853 lb.)	-3273 kg (-7,216 lb.)	-2943 kg (-6,488 lb.)	-2890 kg (-6,371 lb.)	0 mm (0 in.)	0 mm (0 in.)	0 mm (0 in.)

*May change based on vehicle configuration, weight, or tire-pressure adjustments.

§Requires 8-deg. rear axle stops.

Bucket Selection Guides

LOOSE MATERIALS	kg/m ³	lb./cu. yd.	LOOSE MATERIALS	kg/m ³	lb./cu. yd.
Chips, pulpwood	288	486	Limestone, coarse, sized	1570	2,646
Cinders (coal, ashes, clinkers)	673	1,134	Limestone, mixed sizes	1682	2,835
Clay and gravel, dry	1602	2,700	Limestone, pulverized or crushed	1362	2,295
Clay, compact, solid	1746	2,943	Sand, damp	2083	3,510
Clay, dry in lump loose	1009	1,701	Sand, dry	1762	2,970
Clay, excavated in water	1282	2,160	Sand, voids, full of water	2083	3,510
Coal, anthracite, broken, loose	865	1,458	Sandstone, quarried	1314	2,214
Coal, bituminous, moderately wet	801	1,350	Shale, broken crushed	1362	2,295
Earth, common loam, dry	1218	2,052	Slag, furnace granulated	1955	3,294
Earth, mud, packed	1843	3,105	Stone or gravel, 37.5 to 87.5-mm (1.5 to 3.5 in.) size	1442	2,430
Granite, broken	1538	2,592	Stone or gravel, 18.75-mm (0.75 in.) size	1602	2,700
Gypsum	2275	3,834			





844L SPECIFICATIONS

While general information, pictures, and descriptions are provided, some illustrations and text may include product options and accessories NOT AVAILABLE in all regions, and in some countries products and accessories may require modifications or additions to ensure compliance with the local regulations of those countries.

Engine	844L		844L AGGREGATE HANDLER	
Manufacturer and Model	John Deere PowerTech™ PSS 6135		John Deere PowerTech PSS 6135	
Non-Road Emission Standard	EPA Final Tier 4/EU Stage V		EPA Final Tier 4/EU Stage V	
Cylinders	6		6	
Valves per Cylinder	4		4	
Displacement	13.5 L (824 cu. in.)		13.5 L (824 cu. in.)	
Net Peak Power (ISO 9249)	311 kW (417 hp) at 1,400 rpm		320 kW (429 hp) at 1,400 rpm	
Net Peak Torque (ISO 9249)	2119 Nm (1,563 lb.-ft.) at 1,400 rpm		2184 Nm (1,611 lb.-ft.) at 1,400 rpm	
Net Torque Rise	44%		44%	
Fuel System	Mechanically actuated electronic unit injectors		Mechanically actuated electronic unit injectors	
Lubrication	Full-flow spin-on filter and integral cooler		Full-flow spin-on filter and integral cooler	
Aspiration	Series turbocharged, charge air cooled		Series turbocharged, charge air cooled	
Air Cleaner	Dual-element dry type, restriction indicator in cab monitor for service; additional centrifugal engine pre-cleaner			
Cooling	844L / 844L AGGREGATE HANDLER			
Fan Drive	Hydraulically driven, proportionally controlled, fan aft of coolers; automatic reversing fan drive			
Electrical				
Electrical System	24 volt with 150-amp alternator			
Batteries (2 – 12 volt)	1,400 CCA (each)			
Transmission System				
Type	Countershaft-type PowerShift™ with lockup torque converter			
Torque Converter	Single stage, dual phase with freewheeling stator with lockup clutch			
Shift Control	Electronically modulated, adaptive, load and speed dependent			
Operator Interface	Steering-column or joystick-mounted F-N-R and gear-select lever; Quick-Shift button on hydraulic lever			
Shift Modes	Manual/auto (1st–5th or 2nd–5th); Quick-Shift button with 2 selectable modes: kick-down or kick-up/down; and 4 settings for clutch cutoff			
Maximum Travel Speeds (with 875/65R29 L3 tires)	<i>Forward</i>	<i>Reverse</i>	<i>Forward</i>	<i>Reverse</i>
Range 1	6.5 km/h (4.0 mph)	6.4 km/h (4.0 mph)	6.4 km/h (4.0 mph)	6.4 km/h (4.0 mph)
Range 2	11.4 km/h (7.1 mph)	11.4 km/h (7.1 mph)	11.5 km/h (7.1 mph)	11.6 km/h (7.1 mph)
Range 3	17.4 km/h (10.8 mph)	24.9 km/h (15.5 mph)	17.4 km/h (10.8 mph)	24.7 km/h (15.3 mph)
Range 4	24.8 km/h (15.4 mph)	N/A	24.6 km/h (15.3 mph)	N/A
Range 5	40.0 km/h (24.9 mph)	N/A	40.0 km/h (24.9 mph)	N/A
Axles/Brakes	844L		844L AGGREGATE HANDLER	
Final Drives	Heavy-duty mid-board planetary		Heavy-duty mid-board planetary	
Differentials	Conventional differential front and rear – standard; hydraulic locking front with conventional rear – optional; dual locking front and rear – optional		Conventional front and rear axles	
Rear Axle Oscillation, Stop to Stop				
With 29.5 R 25, 1 Star L3 Tires	26 deg. (13 deg. each direction)		N/A	
With 875/65R29 L3 Tires	16 deg. (8 deg. each direction)		16 deg. (8 deg. each direction)	
Brakes (conform to ISO 3450)				
Service	Outboard, forced oil cooled, multi disc		Outboard, forced oil cooled, multi disc	
Parking	Automatic spring applied, hydraulically released, sealed wet multi disc			
Tires/Wheels (see pages 29 and 31 for complete tire adjustments)	844L / 844L AGGREGATE HANDLER			
	<i>Tread Width</i>	<i>Width Over Tires</i>		
Michelin 875/65R29, 1 Star L-3	2440 mm (96.1 in.)	3408 mm (134.2 in.)		
Serviceability				
Refill Capacities				
Fuel Tank (with ground-level fueling)	534 L (141 gal.)	Transmission Reservoir With Vertical Filter	28 L (29.5 qt.)	
Diesel Exhaust Fluid (DEF)	26.3 L (6.9 gal.)	Axle Oil (front and rear, each)	68 L (72 qt.)	
Cooling System	78.75 L (83.2 qt.)	Hydraulic Reservoir and Filter	181.7 L (48 gal.)	
Engine Oil With Vertical Spin-On Filter	40 L (42.3 qt.)	Park Brake Oil (wet disc)	0.7 L (24 oz.)	
Hydraulic System/Steering	844L		844L AGGREGATE HANDLER	
Loader Pumps	2 variable-displacement, load-sensing axial-piston pumps; closed-center system			
Maximum Rated Flow at 6895 kPa (1,000 psi) at 2,000 rpm	570 L/m (150.5 gpm)		570 L/m (150.5 gpm)	
System Relief Pressure	24 900 kPa (3,611 psi)		27 600 kPa (4,000 psi)	
Steering Pump	1 variable-displacement, load-sensing axial-piston pump; closed-center system			
Maximum Rated Flow at 6895 kPa (1,000 psi) at 2,000 rpm	199.5 L/m (52.7 gpm)		199.5 L/m (52.7 gpm)	
System Relief Pressure	24 900 kPa (3,611 psi)		24 900 kPa (3,611 psi)	
Loader Controls	2-function valve; single- or dual-lever controls; control lever lockout feature; optional 3rd-function valve with auxiliary levers		2-function valve; single- or dual-lever controls; control lever lockout feature	

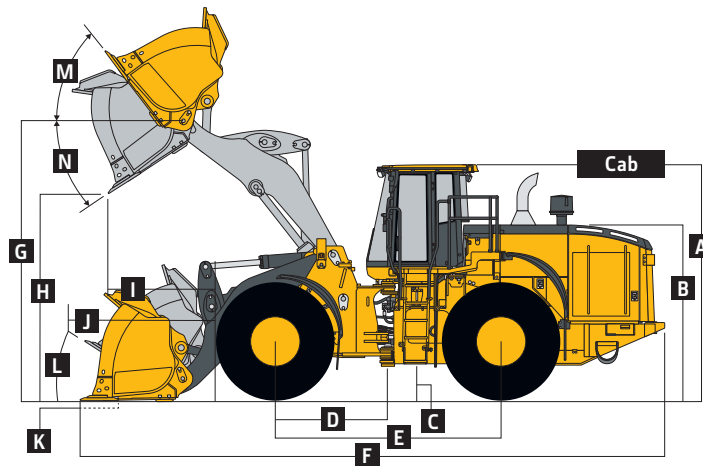
844L SPECIFICATIONS



While general information, pictures, and descriptions are provided, some illustrations and text may include product options and accessories NOT AVAILABLE in all regions, and in some countries products and accessories may require modifications or additions to ensure compliance with the local regulations of those countries.

Hydraulic System/Steering (continued)	844L	844L AGGREGATE HANDLER
Steering (conforms to ISO 5010)		
Type	Power, fully hydraulic; single-lever control and adjustable wristrest with conventional steering wheel override	
Articulation Angle	80-deg. arc (40 deg. each direction)	80-deg. arc (40 deg. each direction)
Turning Radius (measured to centerline of outside tire)	6.30 m (20 ft. 8 in.)	6.30 m (20 ft. 8 in.)
Hydraulic Cycle Times	<i>Standard Lift</i>	<i>Standard Lift</i>
Raise	5.9 sec.	5.9 sec.
Dump	1.9 sec.	2.3 sec.
Lower (float down)	3.6 sec.	3.6 sec.
Total	11.4 sec.	11.8 sec.

844L Dimensions and Specifications With Pin-On Bucket



844L STANDARD-LIFT LOADER WITH PIN-ON BUCKET

Dimensions With Bucket	5.5-m ³ (72.5 cu. yd.) general-purpose bolt-on teeth and JAGZ™			5.7-m ³ (75 cu. yd.) general-purpose enhanced production bolt-on teeth and JAGZ			6.1-m ³ (8.0 cu. yd.) material-handling enhanced production bolt-on JAGZ		4.8-m ³ (6.3 cu. yd.) spade-nose rock with wear liners bolt-on teeth and segments		5.7-m ³ (7.5 cu. yd.) material-handling narrow edge
	edge	segments	JAGZ™	edge	segments	JAGZ	edge	JAGZ	edge	segments	edge
A Height to Top of Cab	3.73 m (12 ft. 3 in.)	3.73 m (12 ft. 3 in.)	3.73 m (12 ft. 3 in.)	3.73 m (12 ft. 3 in.)	3.73 m (12 ft. 3 in.)	3.73 m (12 ft. 3 in.)	3.73 m (12 ft. 3 in.)	3.73 m (12 ft. 3 in.)	3.73 m (12 ft. 3 in.)	3.73 m (12 ft. 3 in.)	3.73 m (12 ft. 3 in.)
B Hood Height	2.74 m (9 ft. 0 in.)	2.74 m (9 ft. 0 in.)	2.74 m (9 ft. 0 in.)	2.74 m (9 ft. 0 in.)	2.74 m (9 ft. 0 in.)	2.74 m (9 ft. 0 in.)	2.74 m (9 ft. 0 in.)	2.74 m (9 ft. 0 in.)	2.74 m (9 ft. 0 in.)	2.74 m (9 ft. 0 in.)	2.74 m (9 ft. 0 in.)
C Ground Clearance	463 mm (18.2 in.)	463 mm (18.2 in.)	463 mm (18.2 in.)	463 mm (18.2 in.)	463 mm (18.2 in.)	463 mm (18.2 in.)	463 mm (18.2 in.)	463 mm (18.2 in.)	463 mm (18.2 in.)	463 mm (18.2 in.)	463 mm (18.2 in.)
D Length From Centerline to Front Axle	1.85 m (6 ft. 1 in.)	1.85 m (6 ft. 1 in.)	1.85 m (6 ft. 1 in.)	1.85 m (6 ft. 1 in.)	1.85 m (6 ft. 1 in.)	1.85 m (6 ft. 1 in.)	1.85 m (6 ft. 1 in.)	1.85 m (6 ft. 1 in.)	1.85 m (6 ft. 1 in.)	1.85 m (6 ft. 1 in.)	1.85 m (6 ft. 1 in.)
E Wheelbase	3.70 m (12 ft. 2 in.)	3.70 m (12 ft. 2 in.)	3.70 m (12 ft. 2 in.)	3.70 m (12 ft. 2 in.)	3.70 m (12 ft. 2 in.)	3.70 m (12 ft. 2 in.)	3.70 m (12 ft. 2 in.)	3.70 m (12 ft. 2 in.)	3.70 m (12 ft. 2 in.)	3.70 m (12 ft. 2 in.)	3.70 m (12 ft. 2 in.)
F Overall Length, Bucket on Ground	9.71 m (31 ft. 10 in.)	9.97 m (32 ft. 9 in.)	9.71 m (31 ft. 10 in.)	9.79 m (32 ft. 1 in.)	10.04 m (32 ft. 11 in.)	9.79 m (32 ft. 1 in.)	9.86 m (32 ft. 4 in.)	9.86 m (32 ft. 4 in.)	9.89 m (32 ft. 5 in.)	9.93 m (32 ft. 7 in.)	9.99 m (32 ft. 9 in.)
G Height to Hinge Pin, Fully Raised	4.60 m (15 ft. 1 in.)	4.60 m (15 ft. 1 in.)	4.60 m (15 ft. 1 in.)	4.60 m (15 ft. 1 in.)	4.60 m (15 ft. 1 in.)	4.60 m (15 ft. 1 in.)	4.60 m (15 ft. 1 in.)	4.60 m (15 ft. 1 in.)	4.60 m (15 ft. 1 in.)	4.60 m (15 ft. 1 in.)	4.60 m (15 ft. 1 in.)
H Dump Clearance, 45 deg., Full Height	3.30 m (10 ft. 10 in.)	3.11 m (10 ft. 2 in.)	3.30 m (10 ft. 10 in.)	3.26 m (10 ft. 8 in.)	3.06 m (10 ft. 0 in.)	3.26 m (10 ft. 8 in.)	3.21 m (10 ft. 6 in.)	3.21 m (10 ft. 6 in.)	3.19 m (10 ft. 6 in.)	3.17 m (10 ft. 5 in.)	3.10 m (10 ft. 2 in.)
I Reach, 45-deg. Dump, Full Height	1.49 m (4 ft. 11 in.)	1.49 m (4 ft. 11 in.)	1.49 m (4 ft. 11 in.)	1.55 m (5 ft. 1 in.)	1.55 m (5 ft. 1 in.)	1.55 m (5 ft. 1 in.)	1.59 m (5 ft. 3 in.)	1.59 m (5 ft. 3 in.)	1.63 m (5 ft. 4 in.)	1.66 m (5 ft. 5 in.)	1.65 m (5 ft. 5 in.)
J Reach, 45-deg. Dump, 2.13-m (7 ft. 0 in.) Clearance	2.27 m (7 ft. 5 in.)	2.27 m (7 ft. 5 in.)	2.26 m (7 ft. 5 in.)	2.30 m (7 ft. 7 in.)	2.30 m (7 ft. 7 in.)	2.30 m (7 ft. 7 in.)	2.33 m (7 ft. 8 in.)	2.33 m (7 ft. 8 in.)	2.36 m (7 ft. 9 in.)	2.38 m (7 ft. 10 in.)	2.38 m (7 ft. 10 in.)
K Maximum Digging Depth	115 mm (4.5 in.)	115 mm (4.5 in.)	117 mm (4.6 in.)	115 mm (4.5 in.)	115 mm (4.5 in.)	117 mm (4.6 in.)	122 mm (4.8 in.)	123 mm (4.8 in.)	107 mm (4.2 in.)	107 mm (4.2 in.)	132 mm (5.0 in.)
L Maximum Rollback at Ground Level	40.2 deg.	40.2 deg.	40.2 deg.	45.3 deg.	45.3 deg.	45.3 deg.	45.3 deg.	45.3 deg.	40.2 deg.	40.2 deg.	45.3 deg.
M Maximum Rollback, Boom Fully Raised	57.4 deg.	57.4 deg.	57.4 deg.	59.8 deg.	59.8 deg.	59.8 deg.	59.8 deg.	59.8 deg.	57.4 deg.	57.4 deg.	59.8 deg.
N Maximum Bucket Dump Angle, Fully Raised	46.1 deg.	46.1 deg.	46.1 deg.	46.2 deg.	46.2 deg.	46.2 deg.	46.2 deg.	46.2 deg.	41.2 deg.	41.2 deg.	46.1 deg.
Loader Clearance Circle, Bucket Carry Position	15.06 m (49 ft. 5 in.)	15.13 m (49 ft. 8 in.)	14.97 m (49 ft. 1 in.)	15.07 m (49 ft. 5 in.)	15.23 m (50 ft. 0 in.)	15.09 m (49 ft. 6 in.)	15.11 m (49 ft. 7 in.)	15.13 m (49 ft. 8 in.)	14.99 m (49 ft. 2 in.)	15.17 m (49 ft. 9 in.)	14.78 m (48 ft. 6 in.)

While general information, pictures, and descriptions are provided, some illustrations and text may include product options and accessories NOT AVAILABLE in all regions, and in some countries products and accessories may require modifications or additions to ensure compliance with the local regulations of those countries.

Dimensions and Specifications
With Pin-On Bucket (continued) **844L**

Specifications With Bucket	5.5-m ³ (7.25 cu. yd.) general-purpose			5.7-m ³ (7.5 cu. yd.) general-purpose enhanced production			6.1-m ³ (8.0 cu. yd.) material-handling enhanced production		4.8-m ³ (6.3 cu. yd.) spade-nose rock with wear liners		5.7-m ³ (7.5 cu. yd.) material-handling narrow
	bolt-on edge	teeth and segments	JAGZ™	bolt-on edge	teeth and segments	JAGZ	bolt-on edge	JAGZ	bolt-on edge	teeth and segments	bolt-on edge
Capacity, Heaped	5.5 m ³ (7.25 cu. yd.)	5.5 m ³ (7.25 cu. yd.)	5.5 m ³ (7.25 cu. yd.)	5.7 m ³ (7.5 cu. yd.)	5.7 m ³ (7.5 cu. yd.)	5.7 m ³ (7.5 cu. yd.)	6.1 m ³ (8.0 cu. yd.)	6.1 m ³ (8.0 cu. yd.)	4.8 m ³ (6.3 cu. yd.)	4.8 m ³ (6.3 cu. yd.)	5.7 m ³ (7.5 cu. yd.)
Capacity, Heaped at 110% Fill Factor	6.1 m ³ (7.98 cu. yd.)	6.1 m ³ (7.98 cu. yd.)	6.1 m ³ (7.98 cu. yd.)	6.3 m ³ (8.25 cu. yd.)	6.3 m ³ (8.25 cu. yd.)	6.3 m ³ (8.25 cu. yd.)	6.7 m ³ (8.8 cu. yd.)	6.7 m ³ (8.8 cu. yd.)	5.3 m ³ (6.9 cu. yd.)	5.3 m ³ (6.9 cu. yd.)	6.3 m ³ (8.25 cu. yd.)
Capacity, Struck	4.7 m ³ (6.2 cu. yd.)	4.7 m ³ (6.2 cu. yd.)	4.7 m ³ (6.2 cu. yd.)	4.7 m ³ (6.2 cu. yd.)	4.7 m ³ (6.2 cu. yd.)	4.7 m ³ (6.2 cu. yd.)	5.0 m ³ (6.6 cu. yd.)	5.0 m ³ (6.6 cu. yd.)	4.1 m ³ (5.4 cu. yd.)	4.1 m ³ (5.4 cu. yd.)	5.0 m ³ (6.6 cu. yd.)
Bucket Weight With Bolt-On Cutting Edge	3515 kg (7749 lb.)	3786 kg (8,347 lb.)	3673 kg (8,098 lb.)	3763 kg (8,296 lb.)	3957 kg (8,724 lb.)	3843 kg (8,472 lb.)	3835 kg (8,455 lb.)	3915 kg (8,631 lb.)	4217 kg (9,297 lb.)	4347 kg (9,583 lb.)	3551 kg (7740 lb.)
Bucket Width	3.46 m (11 ft. 4 in.)	3.47 m (11 ft. 5 in.)	3.47 m (11 ft. 5 in.)	3.46 m (11 ft. 4 in.)	3.47 m (11 ft. 5 in.)	3.47 m (11 ft. 5 in.)	3.45 m (11 ft. 4 in.)	3.47 m (11 ft. 5 in.)	3.49 m (11 ft. 6 in.)	3.49 m (11 ft. 6 in.)	3.00 m (9 ft. 10 in.)
Breakout Force	22 194 kg (48,929 lb.)	19 071 kg (42,044 lb.)	22 117 kg (48,760 lb.)	20 121 kg (44,359 lb.)	17 379 kg (38,314 lb.)	20 073 kg (44,253 lb.)	19 209 kg (42,349 lb.)	19 158 kg (42,236 lb.)	19 660 kg (43,343 lb.)	16 870 kg (37,192 lb.)	17 899 kg (39,460 lb.)
Tipping Load, Straight, No Tire Deflection	24 616 kg (54,269 lb.)	24 281 kg (53,530 lb.)	24 429 kg (53,857 lb.)	24 524 kg (54,066 lb.)	24 281 kg (53,530 lb.)	24 418 kg (53,832 lb.)	24 302 kg (53,577 lb.)	24 196 kg (53,343 lb.)	24 951 kg (55,003 lb.)	23 751 kg (52,362 lb.)	24 204 kg (53,361 lb.)
Tipping Load, Straight, With Tire Deflection	23 304 kg (51,376 lb.)	22 971 kg (50,642 lb.)	23 118 kg (50,966 lb.)	23 157 kg (51,052 lb.)	22 902 kg (50,490 lb.)	23 052 kg (50,821 lb.)	22 938 kg (50,570 lb.)	22 833 kg (50,338 lb.)	22 644 kg (49,921 lb.)	22 446 kg (49,485 lb.)	21 340 kg (47,047 lb.)
Tipping Load, 37-deg. Partial Turn	21 729 kg (47,904 lb.)	21 394 kg (47,166 lb.)	21 542 kg (47,492 lb.)	21 622 kg (47,668 lb.)	21 366 kg (47,104 lb.)	21 517 kg (47,437 lb.)	21 416 kg (47,214 lb.)	21 309 kg (46,978 lb.)	21 049 kg (46,405 lb.)	20 849 kg (45,964 lb.)	20 876 kg (46,024 lb.)
Tipping Load, 40-deg. Full Turn, No Tire Deflection	21 262 kg (46,875 lb.)	20 927 kg (46,136 lb.)	21 075 kg (46,462 lb.)	21 153 kg (46,634 lb.)	20 897 kg (46,070 lb.)	21 047 kg (46,401 lb.)	20 949 kg (46,185 lb.)	20 842 kg (45,949 lb.)	20 579 kg (45,369 lb.)	20 380 kg (44,930 lb.)	22 842 kg (50,358 lb.)
Tipping Load, 40-deg. Full Turn, With Tire Deflection	19 620 kg (43,255 lb.)	19 290 kg (42,527 lb.)	19 434 kg (42,845 lb.)	19 446 kg (42,871 lb.)	19 194 kg (42,315 lb.)	19 341 kg (42,640 lb.)	19 245 kg (42,428 lb.)	19 140 kg (42,196 lb.)	18 945 kg (41,767 lb.)	18 747 kg (41,330 lb.)	19 173 kg (42,269 lb.)
Rated Operating Load, 50% Full-Turn Tipping Load, With Tire Deflection (conforms to ISO 14397-1)*	9810 kg (21,627 lb.)	9645 kg (21,264 lb.)	9717 kg (21,422 lb.)	9723 kg (21,436 lb.)	9597 kg (21,158 lb.)	9670.5 kg (21,320 lb.)	9623 kg (21,214 lb.)	9570 kg (21,098 lb.)	9473 kg (20,883 lb.)	9374 kg (20,665 lb.)	9587 kg (21,136 lb.)
Operating Weight	33 943 kg (74,831 lb.)	34 216 kg (75,433 lb.)	34 103 kg (75,184 lb.)	34 194 kg (75,385 lb.)	34 387 kg (75,810 lb.)	34 273 kg (75,559 lb.)	34 265 kg (75,541 lb.)	34 345 kg (75,718 lb.)	34 647 kg (76,383 lb.)	34 777 kg (76,670 lb.)	34 146 kg (75,279 lb.)

Loader operating information is based on machine with identified linkage and standard equipment, PowerTech PSS 6135 (EPA Final Tier 4/EU Stage V) engine, ROPS cab, rear cast bumper counterweight, transmission side-frame guards, bottom guards, standard tires, full fuel tank, and 79-kg (175 lb.) operator. This information is affected by changes in tires, ballast, and different attachments.

*Rated operating capacity based on Deere attachments only.

844L LOG HANDLER Dimensions and Specifications With Pin-On Millyard Forks

Dimensions With Millyard Forks	Standard-Lift Rockland with 2.13-m (84 in.) tine length	Specifications With Millyard Forks	Standard-Lift Rockland with 2.13-m (84 in.) tine length
Height to Top of Cab	3.73 m (12 ft. 3 in.)	Tipping Load, Straight, No Tire Deflection	18 099 kg (39,901 lb.)
Hood Height	2.74 m (9 ft. 0 in.)	Tipping Load, Straight, With Tire Deflection	17 397 kg (38,354 lb.)
Ground Clearance	463 mm (18.2 in.)	Tipping Load, 37-deg. Partial Turn	15 774 kg (34,776 lb.)
Length From Centerline to Front Axle	1.85 m (6 ft. 1 in.)	Tipping Load, 40-deg. Full Turn, No Tire Deflection	15 398 kg (33,947 lb.)
Wheelbase	3.70 m (12 ft. 2 in.)	Tipping Load, 40-deg. Full Turn, With Tire Deflection	14 457 kg (31,872 lb.)
Overall Length, Forks on Ground	10.74 m (35 ft. 3 in.)	Operating Weight	36 693 kg (80,894 lb.)
Height to Hinge Pin, Fully Raised	4.60 m (15 ft. 1 in.)	Loader operating information is based on machine with identified linkage and standard equipment, PowerTech PSS 6135 (EPA Final Tier 4/EU Stage V) engine, ROPS cab, rear cast bumper/counterweight, transmission side-frame guards, bottom guards, standard tires, full fuel tank, and 79-kg (175 lb.) operator. This information is affected by changes in tires, ballast, and different attachments.	
Reach, Fully Raised	3.06 m (10 ft. 0 in.)		
Fork Height, Fully Raised	3.33 m (10 ft. 11 in.)		
Maximum Reach, Fork Level	4.04 m (13 ft. 3 in.)		
Fork Height, Maximum Reach	1.32 m (4 ft. 3.97 in.)		
Reach, Ground Level	3.44 m (11 ft. 3 in.)		
Depth Below Ground	164 mm (6.5 in.)		
Tine Length	2.13 m (84 in.)		
Grapple Weight	4468 kg (9,850 lb.)		
Overall Grapple Width	2.74 m (108 in.) (9 ft. 0 in.)		

While general information, pictures, and descriptions are provided, some illustrations and text may include product options and accessories NOT AVAILABLE in all regions, and in some countries products and accessories may require modifications or additions to ensure compliance with the local regulations of those countries.

Dimensions and Specifications			
With Pin-On Pipe Grapple		844L PIPE HANDLER	
	<i>Standard-Lift</i>		<i>Standard-Lift</i>
	<i>Rockland with 0.10-m x 0.25-m x 2.44-m (4 in. x 10 in. x 96 in.) tine length</i>		<i>Rockland with 0.10-m x 0.25-m x 2.44-m (4 in. x 10 in. x 96 in.) tine length</i>
Dimensions With Pipe Grapple		Specifications With Pipe Grapple	
Height to Top of Cab	3.73 m (12 ft. 3 in.)	Tipping Load, Straight, No Tire Deflection	16 143 kg (35,589 lb.)
Hood Height	2.74 m (9 ft. 0 in.)	Tipping Load, Straight, With Tire Deflection	15 630 kg (34,458 lb.)
Ground Clearance	463 mm (18.2 in.)	Tipping Load, 37-deg. Partial Turn	14 096 kg (31,076 lb.)
Length From Centerline to Front Axle	1.85 m (6 ft. 1 in.)	Tipping Load, 40-deg. Full Turn, No Tire Deflection	13 765 kg (30,347 lb.)
Wheelbase	3.70 m (12 ft. 2 in.)	Tipping Load, 40-deg. Full Turn, With Tire Deflection	13 065 kg (28,803 lb.)
Overall Length, Forks on Ground	11.04 m (36 ft. 3 in.)	Operating Weight	36 149 kg (79,695 lb.)
Height to Hinge Pin, Fully Raised	4.60 m (15 ft. 1 in.)	<i>Loader operating information is based on machine with identified linkage and standard equipment, PowerTech PSS 6135 (EPA Final Tier 4/EU Stage V) engine, ROPS cab, rear cast bumper/counterweight, transmission side-frame guards, bottom guards, standard tires, full fuel tank, and 79-kg (175 lb.) operator. This information is affected by changes in tires, ballast, and different attachments.</i>	
Reach, Fully Raised	3.37 m (11 ft. 1 in.)		
Fork Height, Fully Raised	3.46 m (11 ft. 4 in.)		
Maximum Reach, Fork Level	4.36 m (14 ft. 4 in.)		
Fork Height, Maximum Reach	1.32 m (4 ft. 4 in.)		
Reach, Ground Level	3.66 m (12 ft. 0 in.)		
Depth Below Ground	38 mm (1.5 in.)		
Tine Length	2.44 m (96 in.)		
Grapple Weight	3924 kg (8,651 lb.)		
Overall Grapple Width	3.05 m (120 in.) (10 ft. 0 in.)		

Adjustments to Operating Weights and Tipping Loads With Buckets

Adjustments to operating weights, tipping loads, and tires are based on Standard-Lift machine with pin-on 5.5-m³ (7.25 cu. yd.) general-purpose bucket with bolt-on cutting edge, ROPS cab, rear cast bumper/counterweight, transmission side-frame guards, bottom guards, standard tires, full fuel tank, and 79-kg (175 lb.) operator*

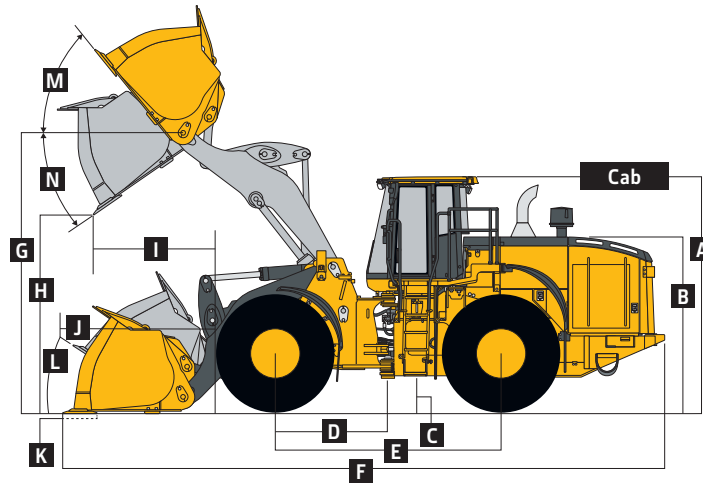
Add (+) or deduct (-) kg (lb.) as indicated for loaders with 3-piece rims	Operating Weight	Tipping Load, 37-deg.		Tipping Load, 40-deg. Full Turn	Tread Width	Width Over Tires	Vertical Height
		Straight	Partial Turn				
Michelin 875/65R29, 1 Star L-3 [§]	0 kg (0 lb.)	0 kg (0 lb.)	0 kg (0 lb.)	0 kg (0 lb.)	0 mm (0 in.)	0 mm (0 in.)	0 mm (0 in.)
Bridgestone 875/65R29, 1 Star L-3 [§]	+388 kg (+855 lb.)	+288 kg (+635 lb.)	+259 kg (+571 lb.)	+254 kg (+560 lb.)	0 mm (0 in.)	-31 mm (-1.2 in.)	+16 mm (+0.62 in.)
Michelin 29.5 R 25, 2 Star L-3	-452 kg (-996 lb.)	-336 kg (-741 lb.)	-302 kg (-666 lb.)	-296 kg (-653 lb.)	0 mm (0 in.)	-132 mm (-5.2 in.)	+3 mm (+0.11 in.)
Titan 29.5 R 25, 1 Star L-3	-392 kg (-864 lb.)	-291 kg (-642 lb.)	-262 kg (-578 lb.)	-257 kg (-567 lb.)	0 mm (0 in.)	-133 mm (-5.2 in.)	+4 mm (+0.15 in.)
Bridgestone 29.5 R 25, 1 Star L-3	-336 kg (-741 lb.)	-250 kg (-551 lb.)	-224 kg (-494 lb.)	-220 kg (-484 lb.)	0 mm (0 in.)	-120 mm (-4.7 in.)	+9 mm (+0.3 in.)
Firestone 29.5-25, 28-Ply L-3	+40 kg (+88 lb.)	+30 kg (+66 lb.)	+27 kg (+60 lb.)	+26 kg (+57 lb.)	0 mm (0 in.)	-112 mm (-4.4 in.)	-9 mm (-0.35 in.)
Bridgestone 29.5 R 25, 1 Star L-5 [§]	+900 kg (+1,984 lb.)	+669 kg (+1,475 lb.)	+601 kg (+1,325 lb.)	+590 kg (+1,301 lb.)	0 mm (0 in.)	-116 mm (-4.6 in.)	+45 mm (+1.77 in.)
Michelin 29.5 R 25, 1 Star L-5 [§]	+356 kg (+785 lb.)	+264 kg (+582 lb.)	+238 kg (+525 lb.)	+233 kg (+514 lb.)	0 mm (0 in.)	-112 mm (-4.4 in.)	+26 mm (+1.02 in.)
5.5-m ³ (7.25 cu. yd.) General-Purpose Bucket With Wear Liners	+359 kg (+792 lb.)	-378 kg (-834 lb.)	-378 kg (-833 lb.)	-378 kg (-834 lb.)	N/A	N/A	N/A
5.7-m ³ (7.5 cu. yd.) General-Purpose Bucket With Wear Liners	+253 kg (+557 lb.)	-263 kg (-581 lb.)	-264 kg (-584 lb.)	-264 kg (-584 lb.)	N/A	N/A	N/A
6.1-m ³ (8.0 cu. yd.) Material-Handling Bucket with Wear Liners	+253 kg (+557 lb.)	-265 kg (-586 lb.)	-266 kg (-587 lb.)	-267 kg (-588 lb.)	N/A	N/A	N/A

*May change based on vehicle configuration, weight, or tire-pressure adjustments.

[§]Requires 8-deg. rear axle stops.

Dimensions and Specifications
With Pin-On Bucket

844L AGGREGATE HANDLER



844L AGGREGATE HANDLER LOADER WITH PIN-ON BUCKET

Dimensions With Bucket	<i>7.1-m³ (9.3 cu. yd.) material-handling enhanced production with bolt-on edge</i>	<i>7.5-m³ (9.8 cu. yd.) material-handling enhanced production with bolt-on edge</i>	<i>7.5-m³ (9.8 cu. yd.) narrow material-handling enhanced production with bolt-on edge</i>
A Height to Top of Cab	3.73 m (12 ft. 3 in.)	3.73 m (12 ft. 3 in.)	3.73 m (12 ft. 3 in.)
B Hood Height	2.74 m (9 ft. 0 in.)	2.74 m (9 ft. 0 in.)	2.74 m (9 ft. 0 in.)
C Ground Clearance	463 mm (18.2 in.)	463 mm (18.2 in.)	463 mm (18.2 in.)
D Length From Centerline to Front Axle	1.85 m (6 ft. 1 in.)	1.85 m (6 ft. 1 in.)	1.85 m (6 ft. 1 in.)
E Wheelbase	3.70 m (12 ft. 2 in.)	3.70 m (12 ft. 2 in.)	3.70 m (12 ft. 2 in.)
F Overall Length, Bucket on Ground	10.00 m (32 ft. 10 in.)	10.07 m (33 ft. 0 in.)	10.35 m (33 ft. 11 in.)
G Height to Hinge Pin, Fully Raised	4.60 m (15 ft. 1 in.)	4.60 m (15 ft. 1 in.)	4.60 m (15 ft. 0 in.)
H Dump Clearance, 45 deg., Full Height	3.12 m (10 ft. 3 in.)	3.08 m (10 ft. 1 in.)	2.90 m (9 ft. 6 in.)
I Reach, 45-deg. Dump, Full Height	1.71 m (5 ft. 7 in.)	1.76 m (5 ft. 9 in.)	1.97 m (6 ft. 6 in.)
J Reach, 45-deg. Dump, 2.13-m (7 ft. 0 in.) Clearance	2.41 m (7 ft. 11 in.)	2.44 m (8 ft. 0 in.)	2.56 m (8 ft. 5 in.)
K Maximum Digging Depth	110 mm (4.4 in.)	116 mm (4.6 in.)	117 mm (4.6 in.)
L Maximum Rollback at Ground Level	45.2 deg.	40.2 deg.	40.2 deg.
M Maximum Rollback, Boom Fully Raised	59.8 deg.	59.8 deg.	59.8 deg.
N Maximum Bucket Dump Angle, Fully Raised	46.2 deg.	46.2 deg.	46.2 deg.
Loader Clearance Circle, Bucket Carry Position	15.35 m (50 ft. 4 in.)	15.39 m (50 ft. 6 in.)	14.98 m (49 ft. 2 in.)

While general information, pictures, and descriptions are provided, some illustrations and text may include product options and accessories NOT AVAILABLE in all regions, and in some countries products and accessories may require modifications or additions to ensure compliance with the local regulations of those countries.

Dimensions and Specifications

With Pin-On Bucket (continued)

844L AGGREGATE HANDLER

Specifications With Bucket	71-m ³ (9.3 cu. yd.) material-handling enhanced production with bolt-on edge	7.5-m ³ (9.8 cu. yd.) material-handling enhanced production with bolt-on edge	7.5-m ³ (9.8 cu. yd.) narrow material-handling enhanced production with bolt-on edge
Capacity, Heaped	7.1 m ³ (9.3 cu. yd.)	7.5 m ³ (9.8 cu. yd.)	7.5 m ³ (9.8 cu. yd.)
Capacity, Heaped at 110% Fill Factor	7.8 m ³ (10.23 cu. yd.)	8.25 m ³ (10.78 cu. yd.)	8.25 m ³ (10.78 cu. yd.)
Capacity, Struck	5.9 m ³ (7.7 cu. yd.)	6.2 m ³ (8.1 cu. yd.)	6.6 m ³ (8.6 cu. yd.)
Bucket Weight With Bolt-On Cutting Edge	4096 kg (9,030 lb.)	4218 kg (9,300 lb.)	4074 kg (8,981 lb.)
Bucket Width	3.65 m (12 ft. 0 in.)	3.65 m (12 ft. 0 in.)	3.00 m (9 ft. 10 in.)
Breakout Force	25 308 kg (55,795 lb.)	24 311 kg (53,596 lb.)	21 080 kg (46,473 lb.)
Tipping Load, Straight, No Tire Deflection	27 287 kg (60,157 lb.)	27 144 kg (59,842 lb.)	26 774 kg (59,026 lb.)
Tipping Load, Straight, With Tire Deflection	25 671 kg (56,595 lb.)	25 527 kg (56,277 lb.)	25 125 kg (55,391 lb.)
Tipping Load, 37-deg. Partial Turn	23 970 kg (52,845 lb.)	23 827 kg (52,530 lb.)	23 501 kg (51,811 lb.)
Tipping Load, 40-deg. Full Turn, No Tire Deflection	23 433 kg (51,661 lb.)	23 290 kg (51,347 lb.)	22 971 kg (50,642 lb.)
Tipping Load, 40-deg. Full Turn, With Tire Deflection	21 396 kg (47,170 lb.)	21 252 kg (46,853 lb.)	20 892 kg (46,059 lb.)
Rated Operating Load, 50% Full-Turn Tipping Load, With Tire Deflection (conforms to ISO 14397-1)*	10 698 kg (23,585 lb.)	10 626 kg (23,426 lb.)	10 446 kg (23,029 lb.)
Operating Weight	36 310 kg (80,050 lb.)	36 432 kg (80,318 lb.)	36 393 kg (80,233 lb.)

Loader operating information is based on machine with identified linkage and standard equipment, PowerTech PSS 6135 (EPA Final Tier 4/EU Stage V) engine, ROPS cab, rear cast bumper/counterweight, transmission side-frame guards, bottom guards, standard tires, full fuel tank, and 79-kg (175 lb.) operator. This information is affected by changes in tires, ballast, and different attachments.

*Rated operating capacity based on Deere attachments only.

Adjustments to Operating Weights and Tipping Loads With Buckets

Adjustments to operating weights, tipping loads, and tires are based on machine with pin-on 71-m³ (9.3 cu. yd.) material-handling bucket with bolt-on cutting edge, ROPS cab, rear cast bumper/counterweight, transmission side-frame guards, bottom guards, standard tires, full fuel tank, and 79-kg (175 lb.) operator*

Add (+) or deduct (-) kg (lb.) as indicated for loaders with 3-piece rims	Operating Weight	Tipping Load,			Tread Width	Width Over Tires	Vertical Height
		Straight	37-deg. Partial Turn	40-deg. Full Turn			
Michelin 875/65R29, 1 Star L-3 [§]	0 kg (0 lb.)	0 kg (0 lb.)	0 kg (0 lb.)	0 kg (0 lb.)	0 mm (0 in.)	0 mm (0 in.)	0 mm (0 in.)
Bridgestone 875/65R29, 1 Star L-3 [§]	+388 kg (+855 lb.)	+285 kg (+628 lb.)	+256 kg (+564 lb.)	+251 kg (+553 lb.)	0 mm (0 in.)	+12 mm (+0.47 in.)	+16 mm (+0.62 in.)

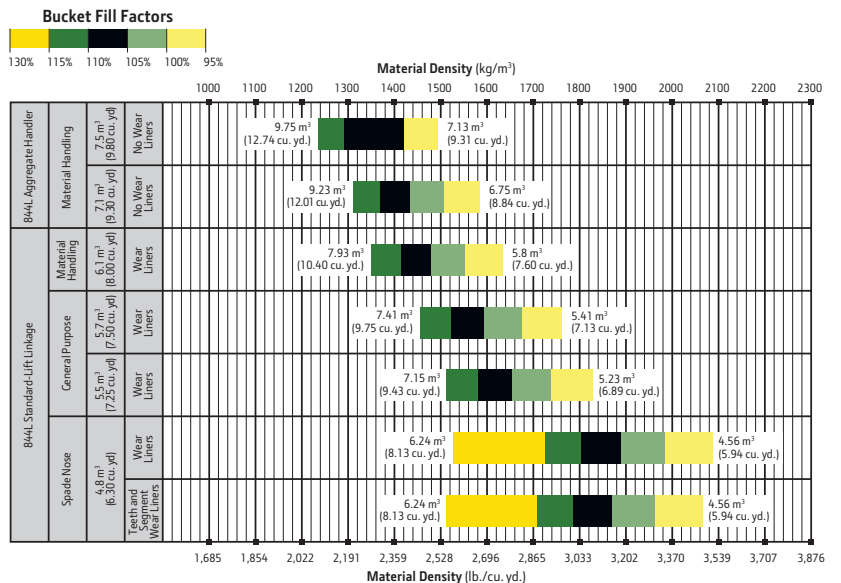
*May change based on vehicle configuration, weight, or tire-pressure adjustments.

[§]Requires 8-deg. rear axle stops.

Bucket Selection Guides

844L / 844L AGGREGATE HANDLER

LOOSE MATERIALS	kg/m ³	lb./cu. yd.	LOOSE MATERIALS	kg/m ³	lb./cu. yd.
Chips, pulpwood	288	486	Limestone, coarse, sized	1570	2,646
Cinders (coal, ashes, clinkers)	673	1,134	Limestone, mixed sizes	1682	2,835
Clay and gravel, dry	1602	2,700	Limestone, pulverized or crushed	1362	2,295
Clay, compact, solid	1746	2,943	Sand, damp	2083	3,510
Clay, dry in lump loose	1009	1,701	Sand, dry	1762	2,970
Clay, excavated in water	1282	2,160	Sand, voids, full of water	2083	3,510
Coal, anthracite, broken, loose	865	1,458	Sandstone, quarried	1314	2,214
Coal, bituminous, moderately wet	801	1,350	Shale, broken crushed	1362	2,295
Earth, common loam, dry	1218	2,052	Slag, furnace granulated	1955	3,294
Earth, mud, packed	1843	3,105	Stone or gravel, 37.5 to 87.5-mm (1.5 to 3.5 in.) size	1442	2,430
Granite, broken	1538	2,592	Stone or gravel, 18.75-mm (0.75 in.) size	1602	2,700
Gypsum	2275	3,834			



Additional equipment

Key: ● Standard ▲ Optional or special See your John Deere dealer for further information.

744L	824L	844L	Engine
●	●	●	Wet-sleeve cylinder liners
●	●	●	Programmable auto-idle and auto shutdown
●	●	●	Selected idle adjustment from 900–1,250 rpm
●	●	●	Starter excessive-cranking protection
●	●	●	Automatic engine cool-down timer
●	●	●	Automatic derating for exceeded system temperatures
●	●	●	Serpentine drive belt for automatic tensioner
●	●	●	Electrical fuel-priming pump
●	●	●	Dual-stage fuel filter and water separator
●	●	●	500-hour vertical spin-on oil filter
●	●	●	Engine-compartment light
▲	▲	▲	Chrome exhaust stack
▲	▲	▲	Automatic ether starting aid and engine block heater (recommended for cold starts below –12 deg. C [10 deg. F])
●	●	●	Centrifugal engine air pre-cleaner
▲	▲	▲	Throttle lock
Powertrain			
●	●	●	Clutch cutoff with 4 operator settings: Automatic, level ground, small slope, or steep slope
●	●	●	Programmable maximum high gear
●	●	●	Clutch calibration engaged from monitor
●	●	●	2,000-hour vertical spin-on transmission filter
●	●	●	Transmission fill tube with sight gauge
●	●	●	Transmission diagnostic ports
●	●	●	5-speed transmission with lockup torque converter
●	●	▲	Front locking differential
▲	▲	▲	Rear locking differential
●	●	●	Brake adjusters and retractors
▲	▲	▲	Automatic differential lock
●	●	●	Axle oil temperature sensing
●	●	●	Wheel-spin control
Quad-Cool™ Cooling System			
●	●	●	Heavy-duty, trash-resistant radiator and high-ambient cooling package
●	●	●	2-side access to all coolers
●	●	●	Isolated from engine compartment
●	●	●	Engine radiator
●	●	●	Integral engine oil cooler
●	●	●	Hydraulic oil cooler (oil to air)
●	●	●	Transmission oil cooler (oil to air)
●	●	●	Charge air cooler (air to air)
●	●	●	Fuel cooler
●	●	●	Coolant recovery tank with under-hood lighting
●	●	●	Coolant-loss sensor
●	●	●	Antifreeze, –37 deg. C (–34 deg. F)
●	●	●	Cool-on-demand swing-out fan
●	●	●	Enclosed fan safety guard
▲	▲	●	Automatic reversing fan drive
●	●	●	Axle and service-brake coolers
Hydraulics			
●	●	●	Electrohydraulic control with soft stops and adjustable settings
●	●	●	In-cab adjustable automatic return-to-dig bucket positioner

744L	824L	844L	Hydraulics (continued)
●	●	●	In-cab adjustable automatic boom-height kickout/return to carry
●	●	●	Reservoir with sight gauge and fill strainer
●	●	●	Hydraulic diagnostic ports
●	●	●	4,000-hour in-tank filter
●	●	●	2 function — 2-lever fingertip controls
▲	▲	▲	2 function — joystick
▲	▲	▲	2 function — joystick with F-N-R (steering wheel only)
▲	▲	▲	3 function — 3-lever fingertip controls
▲	▲	▲	3 function — joystick with integrated 3rd-function roller
▲	▲	▲	3 function — joystick with integrated 3rd-function roller and F-N-R (steering wheel only)
▲	▲	▲	4 function — joystick with integrated 3rd/4th-function rollers
▲	▲	▲	4 function — joystick with integrated 3rd/4th-function rollers and F-N-R (steering wheel only)
●	●	●	2 programmable multifunction buttons
●	●	●	Adjustable and continuous auxiliary hydraulic-flow settings
●	●	●	Programmable attachment settings
●	●	●	Ride control, automatic with monitor-adjustable speed settings
▲	▲	▲	Hydraulic control system for quick-coupler locking pins
▲	▲	▲	Hydra™ XR cold-temperature hydraulic fluid recommended below –25 deg. C (–13 deg. F)
Steering Systems			
●	●	●	Joystick steering with gearshift, F-N-R, and horn
▲	▲	▲	Conventional steering wheel with spinner knob
▲	▲	▲	Joystick steering with gearshift, F-N-R, horn, and conventional steering wheel
▲	▲	▲	Secondary steering
Electrical			
●	●	●	Solid-state electrical power-distribution system
●	●	●	Lockable master electrical-disconnect switch
●	●	●	Battery-terminal safety covers
●	●	●	By-pass start safety cover at starter
●	●	●	Remote jump-start access in battery box
●	●	●	Pre-wired for beacon/strobe light
▲	▲	▲	Beacon bracket (single or dual available)
▲	▲	▲	LED strobe beacon
●	●	●	Lights: Halogen driving lights with guards (2) / Front (4), rear cab (2), and rear grille (2) work lights / LEF front turn signals and flashers / LED stop- and taillights
▲	▲	▲	Premium LED work, drive, and marker lights
●	●	●	Programmable courtesy lights
●	●	●	Horn, electric
●	●	●	Reverse warning alarm
●	●	●	Multifunction/multi-language 178-mm (7 in.) LCD color monitor includes: Digital instruments — Analog display (hydraulic oil temperature, engine coolant temperature, transmission oil temperature, and engine oil pressure) / Digital display (engine rpm, transmission gear/direction indicator, hour meter, fuel level, diesel exhaust fluid [DEF] level, speedometer, odometer, and average fuel consumption)
●	●	●	Integrated cycle counter with 5 categories
●	●	●	Indicator lights: Standard and selected options / Amber caution and red stop
●	●	●	Operator-warning messages

While general information, pictures, and descriptions are provided, some illustrations and text may include product options and accessories NOT AVAILABLE in all regions, and in some countries products and accessories may require modifications or additions to ensure compliance with the local regulations of those countries.

Net engine power is with standard equipment including air cleaner, exhaust system, alternator, and cooling fan at test conditions per ISO 9249. No derating is required up to 3050-m (10,000 ft.) altitude. Specifications and design subject to change without notice. Specifications with the exception of bucket capacity are in accordance with all applicable ISO standards. Except where otherwise noted, these specifications are based on units with applicable linkage and standard equipment, ROPS cab, rear cast bumper/counterweight, transmission side-frame guards, bottom guards, standard tires, full fuel tank, and 79-kg (175 lb.) operator.

Additional equipment *(continued)*

Key: ● Standard ▲ Optional or special See your John Deere dealer for further information.

744L	824L	844L	Electrical <i>(continued)</i>
●	●	●	Built-in diagnostics: Diagnostic-code details / Sensor values / Calibrations / Individual circuit tester
▲	▲	▲	Electrical corrosion-prevention package
●	●	●	Premium AM/FM/Weather Band (WB) radio with Bluetooth®, remote auxiliary port, and remote USB port (premium cab only)
▲	▲	▲	24- to 12-volt, 30-amp converter with 3 in-cab power ports
Operator's Station			
●	●	●	Quiet Cab with air conditioning/heater (ROPS/FOPS Level 2, isolation mounted)
●	●	●	Automatic temperature control (premium cab only)
●	●	●	Rear window defrost vent
●	●	●	Keyless start with multiple security modes
●	●	●	Sealed-switch module with function indicators
●	●	●	Premium seat with high-wide back and headrest extension, heated and ventilated, leather/fabric cover, pan tilt/extend, damper adjustments, and adjustable heavy-duty air suspension
●	●	●	Hydraulic controls and joystick steering integrated to seat
●	●	●	High-visibility, bright-orange seat belt, 76 mm (3 in.), with retractor
●	●	●	Seat-belt minder monitoring with JDLink™
▲	▲	▲	Seat-belt indicator beacon light
●	●	●	Cup holder and cup/thermos holder with retaining strap
●	●	●	Lunch-box/cooler holder with tie-down brackets
●	●	●	LED dome and reading light
●	●	●	Coat hook
●	●	●	Rubber floor mat
▲	▲	▲	Dual-tilt steering column (steering wheel only)
●	●	●	Operator's manual storage compartment
●	●	●	Outside (2) and inside (2) rearview mirrors
●	●	●	In-cab adjustable heated outside mirrors with convex lens (premium cab only)
●	●	●	Left-side operator-station access
●	●	●	Front window-washing platforms with fall-arrest system anchor points tested to 2268 kg (5,000 lb.)
●	●	●	Slip-resistant steps and ergonomic handholds
●	●	●	Pull-down front sun visor
▲	▲	▲	Pull-down rear sun visor
●	●	●	CB radio ready with 12-volt power, bracket, and antennae included
●	●	●	Front and rear intermittent windshield wiper and washers
▲	▲	▲	Powered cab air pre-cleaner
●	●	●	Rearview camera
▲	▲	▲	Rearview camera and radar object-detection system
▲	▲	▲	Dedicated 178-mm (7 in.) rearview camera display
●	●	●	Payload scale ready
▲	▲	▲	Payload scale system
▲	▲	▲	Payload scale system with printer
▲	▲	▲	Fire extinguisher
Loader Linkage			
●	●	●	Z-Bar loader linkage
▲	▲		High-Lift Z-Bar loader linkage
Buckets and Attachments			
▲	▲	▲	Full line of Deere pin-on buckets, hook-on buckets, and forks
▲	▲		John Deere hydraulic coupler that accepts JRB 420-pattern attachments

744L	824L	844L	Buckets and Attachments <i>(continued)</i>
▲	▲	▲	Bolt-on bucket spill guard
▲	▲	●	Bushed pin joints (including static joints) on optional Enhanced-Production buckets
Overall Vehicle			
●	●	●	JDLink wireless communication system (available in specific countries; see your dealer for details)
●	●	●	Auto-lube system with empty reservoir sensor and diagnostics integrated into machine diagnostics and JDLink alerts
●	●		NeverGrease™ rear-axle oscillation
●	●		Front and rear tie-downs
		●	Front, mid, and rear tie-downs
●	●	●	Rear cast bumper with rear hitch and locking pin
●	●	●	Articulation locking bar
●	●		Loader boom service locking bar
●	●	●	40-deg. steering articulation to each side with rubber-cushion stops on frame
●	●	●	Vandal protection with lockable engine enclosures, right counterweight storage, battery box, and filler access for radiator/fuel/hydraulic transmission
●	●	●	Right and left handrails, platforms, and steps
●	●	●	Service steps and handholds
●	●	●	Storage compartment
●	●	●	Fuel-tank fill strainer
●	●	●	Heavy-duty fuel-tank guard
●	●	●	Ground-level fueling and DEF
●	●	●	Same-side ground-level daily servicing
●	●	●	Environmental drains for engine, transmission, hydraulic oils, and engine coolant
●	●	●	Fluid-sampling ports for engine, transmission, hydraulic and axle oils, and engine coolant
●	●		26.5R25 tires on 5-piece rims
▲		●	29.5R25 tires on 5-piece rims
▲	▲		775/65R29 tires on 5-piece rims
		▲	875/65R29 tires on 5-piece rims
▲	▲	▲	Tire-pressure monitoring system
●	●	●	Level 1 sound package
●	●	●	Level 2 sound package
▲	●	●	Transmission side-frame and bottom guards
▲	▲	▲	Fast-fuel system
▲	▲	▲	Quick fluid service (engine, transmission, hydraulic oils, and engine coolant)
●	●	●	Fenders, full-coverage, front
▲	▲	▲	Fenders, full-coverage, front and rear
▲	▲	▲	Fenders, roading, full-coverage, front and rear
▲			Less wheels and tires with axle stops
▲			Rims less tires
●	●	●	Lift eyes
▲	▲	▲	Wheel-chock-mounting brackets
▲	▲	▲	License-plate bracket and light
		▲	Aggregate handler
▲	▲		Log handler (Standard-Lift only)
▲	▲		Pipe handler (Standard-Lift only)
▲	▲	▲	Waste handler (Standard-Lift and High-Lift)
▲	▲	▲	Special guarding for waste and forestry applications

While general information, pictures, and descriptions are provided, some illustrations and text may include product options and accessories NOT AVAILABLE in all regions, and in some countries products and accessories may require modifications or additions to ensure compliance with the local regulations of those countries.

Net engine power is with standard equipment including air cleaner, exhaust system, alternator, and cooling fan at test conditions per ISO 9249. No derating is required up to 3050-m (10,000 ft.) altitude. Specifications and design subject to change without notice. Specifications with the exception of bucket capacity are in accordance with all applicable ISO standards. Except where otherwise noted, these specifications are based on units with applicable linkage and standard equipment, ROPS cab, rear cast bumper/counterweight, transmission side-frame guards, bottom guards, standard tires, full fuel tank, and 79-kg (175 lb.) operator.



JOHN DEERE

